

# Dialight

## PW SERIES

### CIRCULAR LED MODULES

#### AR111/AR111-LV



#### APPLICATION

- ▲ Spot lighting
- ▲ Accent lighting
- ▲ General illumination
- ▲ Interior use only
- ▲ Architectural lighting
- ▲ Machine vision
- ▲ Display cases

*Product designed to fit the majority of AR111 housings.  
Depth of housing should be checked for compatibility.*

#### ORDERING INFORMATION

AR111-LV-AA-BB	
Typical Colour (AA) Temperature	Options
<b>CW</b> = 5000K – 6350K	Blank = no onboard driver
<b>NW</b> = 3800K – 4100K	
<b>WW</b> = 2850K – 3250K	
Optic (BB)	LV = with onboard driver
<b>SP</b> = 7 degree spot	driver
<b>WD</b> = 13 degree wide	
<i>All angles are half divergence</i>	

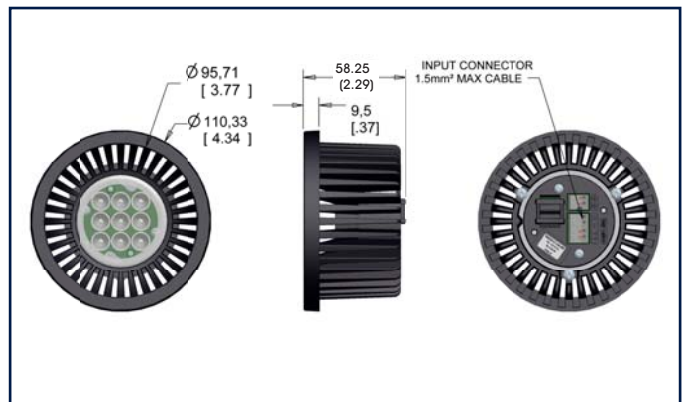
#### FEATURES / BENEFITS

- ▲ Utilizes 9 premium flux LUXEON® Rebel™ LEDs, 100+ lumens for cool white, 100+ lumens for neutral white and 50+ lumens for warm white
- ▲ ETL recognized to UL standards (pending)
- ▲ Available in choice of colours & colour temperatures
- ▲ Quick connect terminal blocks for easy installation
- ▲ >70% lumen maintenance @ 50,000 hours at max operating temperature. Better at lower operating temps!

#### MATERIALS / FINISH

- ▲ **Connection** - Cage Clamp Connectors
- ▲ **Optics** - Dialight Optics
- ▲ **Lens Cover** - Polycarbonate 143R
- ▲ **Rear Cover** - Polycarbonate 143R
- ▲ **Heatsink** - ADC10 Aluminum Alloy, Black Anodised Finish

#### MECHANICAL DIMENSIONS



Diameter x H  
110.33mm x 58.25mm (4.34" x 2.29")  
Maximum Cable Dia - 1.5mm<sup>2</sup> / 16 AWG

## OPERATING CHARACTERISTICS

Model / Color	Typical Total Lumen Output		Power Consumption		Drive Current / Operating Current	Input Voltage
	350mA / LV	700mA	350mA / LV	700mA	mA	
AR111 / CW	900	1620	10.8W	21.6W	350 - 700	*30 -36VDC
AR111 / NW	900	1620				
AR111 / WW	450	855				
AR111-LV / CW	900	-	11.0W	-	**1.0A - 500mA	12-24VDC 11-16VAC
AR111-LV / NW	900	-				
AR111-LV / WW	450	-				

Note: Lumen output based on manufacturers data

\*Based on max Vf of 4.0V

\*\*1.2A for initial switch on

## COMPATIBLE DRIVERS

### Compatible Constant Current Dialight Drivers

Driver	350mA	700mA	No. of units
MDU 9 (MDU9-SC-70)	x		1*
Minidim (MND70-12-1-ML-N)	X		1*
MLD8 (MLD8 - C - 35/70)	X		1*
MCDE18 (MCDE18-350-P)	X	X	2* / 1**
MCDE36 (MCDU36-700-P)		X	2**

\*at 350mA / \*\*at 700mA

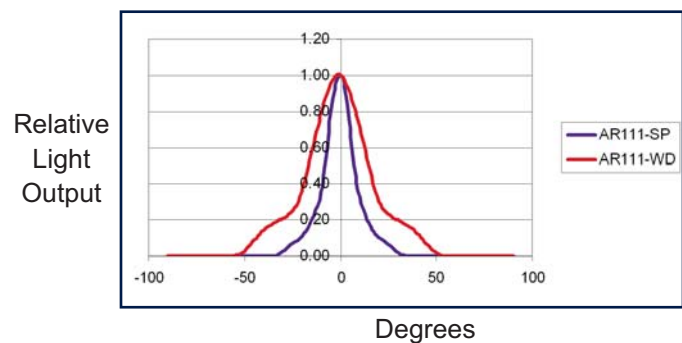
### Compatible Dialight Constant Voltage DC Drivers

Driver	24V	No. of units
MULTIDRIVER (MLD8-C-35-70)	x	1
MVDE100-24-P	X	1-16

## OPERATING CONDITIONS

- ▲ Operating ambient temperature -20°C to +40°C
- ▲ AR111 requires constant current driver  
AR111-LV requires constant voltage driver  
(See compatibility list)
- ▲ Max drive current 700mA (constant current version)
- ▲ IP20 rating

## PHOTOMETRIC DATA



Dialight reserves the right to make changes at any time in order to supply the best product possible.

The most current version of this document will always be available at:

[www.dialight.com/Assets/Brochures\\_And\\_Catalogs/Illumination/MDEXLUMAR111.pdf](http://www.dialight.com/Assets/Brochures_And_Catalogs/Illumination/MDEXLUMAR111.pdf)

MDEXLUMAR111\_C

## X-ON Electronics

Largest Supplier of Electrical and Electronic Components

*Click to view similar products for [dialight](#) manufacturer:*

Other Similar products are found below :

[5131701604](#) [568-0103-232F](#) [568-0734-832F](#) [5690101111](#) [5700100111](#) [585-4215](#) [585-4413](#) [586-0012-806F](#) [586-220B-204F](#) [5922121013F](#)  
[598-8030-102F](#) [598-8260-102F](#) [598-8310-102F](#) [598-8320-107F](#) [598-8540-202F](#) [5989210102F](#) [004-1830-29-207](#) [607-1312-320F](#) [607-3332-320F](#) [609-1212-130](#) [609-1312-320F](#) [609-2112-130](#) [62031RB](#) [CT2-C](#) [749-0705-001](#) [811-0332-500](#) [812-0971](#) [908-1532](#) [908-1534](#) [123-1235-403](#) [DLL434CT](#) [199-5261](#) [250-1475-500](#) [922-1525-525](#) [LC32WT2](#) [LLT-3B](#) [LML-6LVC-WWD](#) [169-1131-303](#) [178-0375-500](#) [180-01AB-811](#) [181-8536-0937-503](#) [239-0334-500](#) [250-1633-500](#) [252-9951-0973-811](#) [302-3471](#) [328-0075](#) [MDU-9SC3-570](#) [47-3101-29-201](#) [507-3835-0931-600](#) [507-3910-1435-600](#)