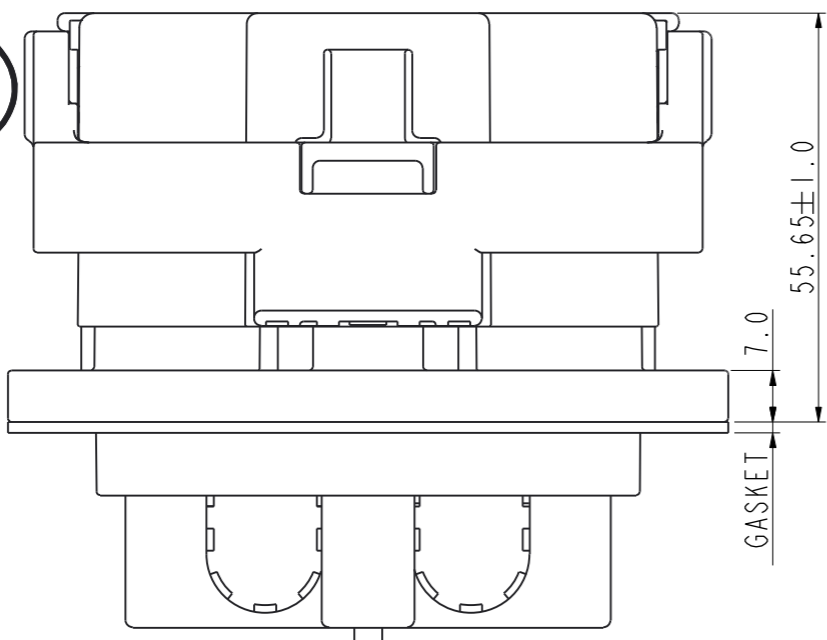


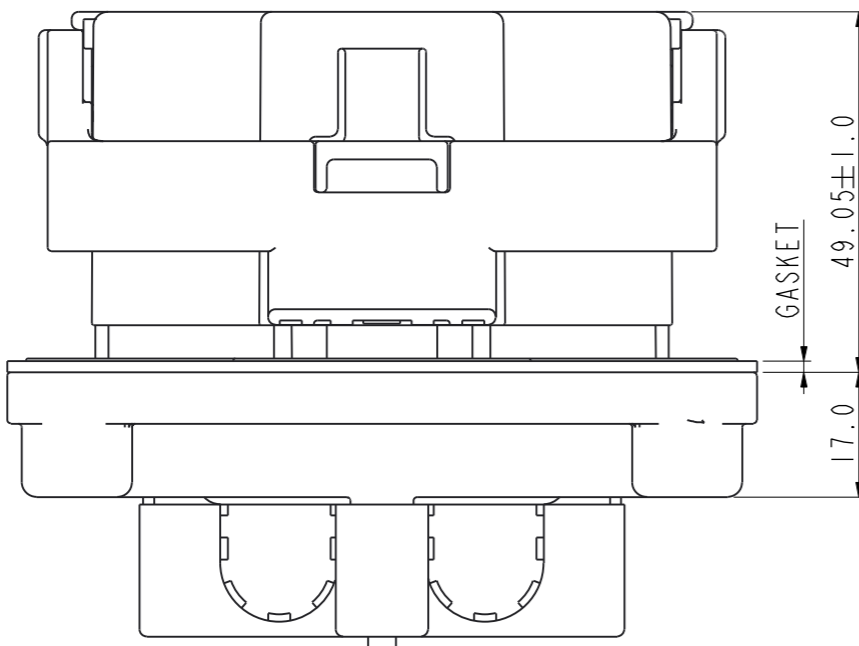
MINIMSD-XXXXX

Amphenol PCDSZ
ORIGINAL
PDF Format
R&D

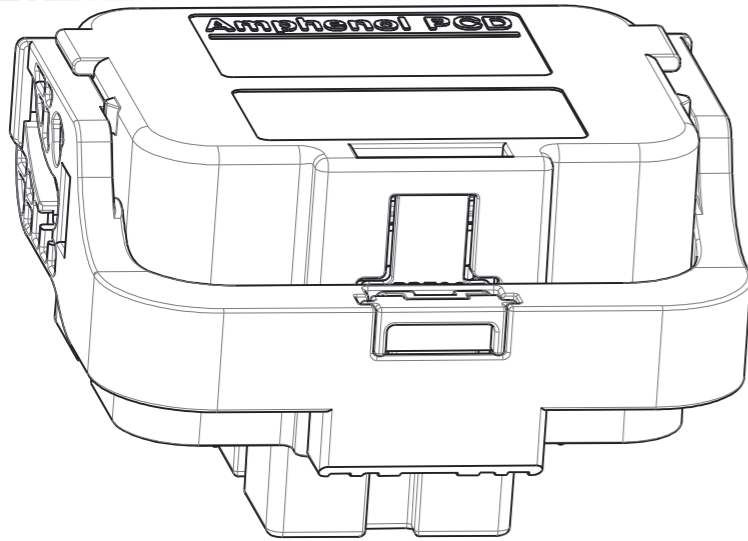
REV	ECN	DESCRIPTION	DATE	MODIFIED
A		FIRST-RELEASE	2015.05.23	JACK.D
B		ADD 750V DC FUSE	2018.03.08	T.H
C		ADD MINIMSD P/N ON SHEET 3	2018.04.19	T.H



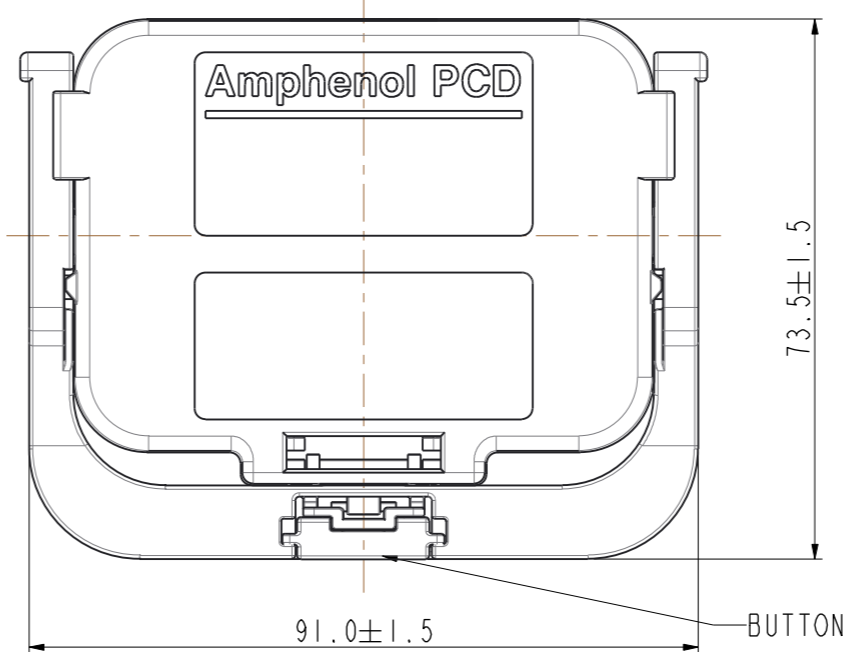
MINI-MSD FRONT-MOUNTING



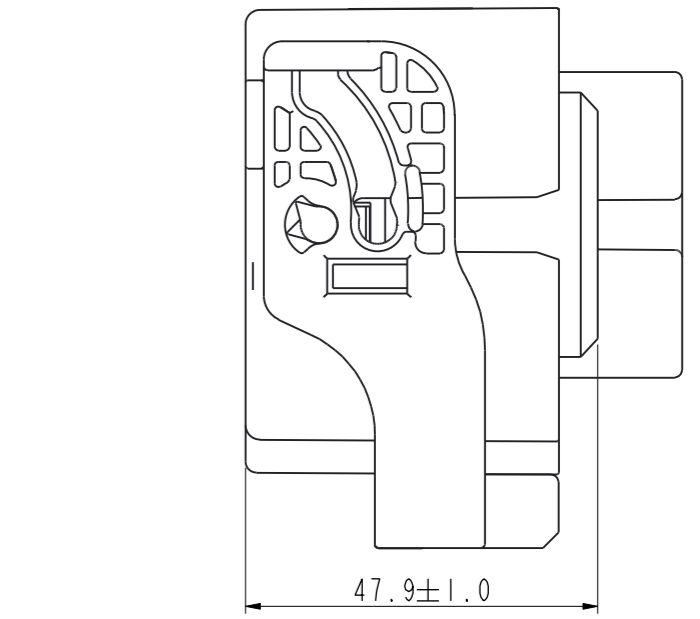
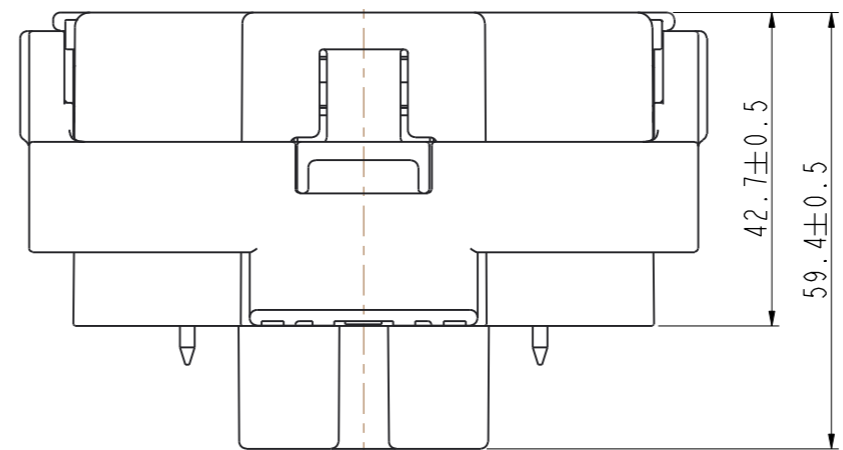
MINI-MSD REAR-MOUNTING



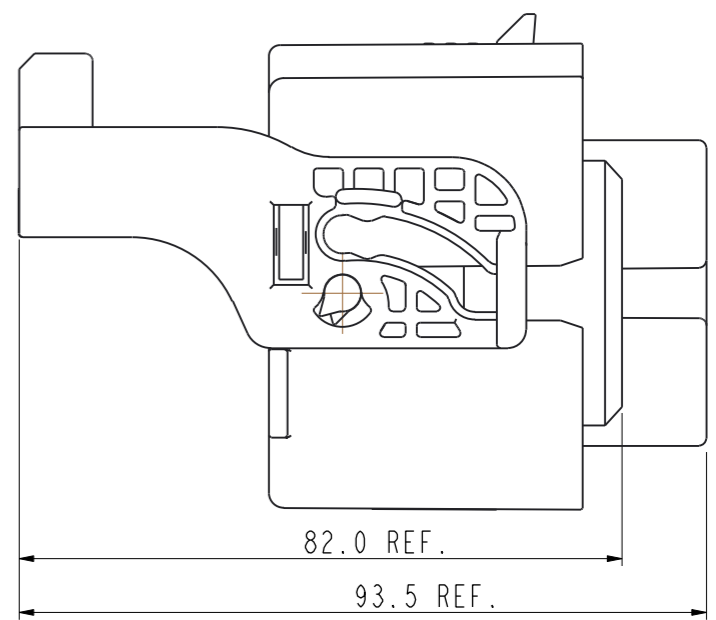
MINI-MSD PLUG



MINI-MSD PLUG



LEVER IN LOCKED POSITON
锁紧后手柄位置



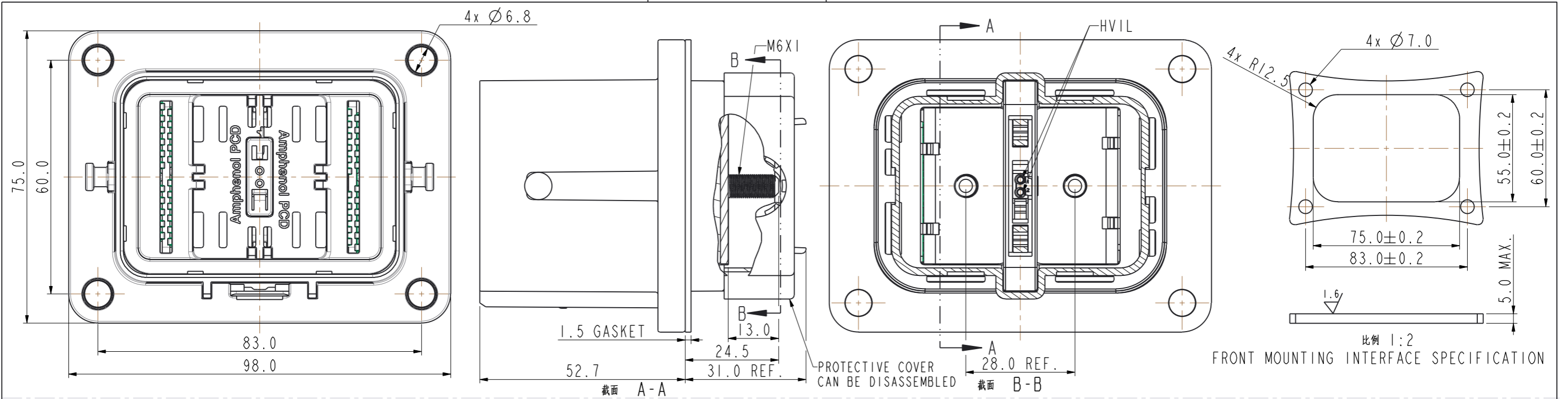
LEVER IN OPEND POSITON
打开后手柄位置

MINIMSD-XXXXX

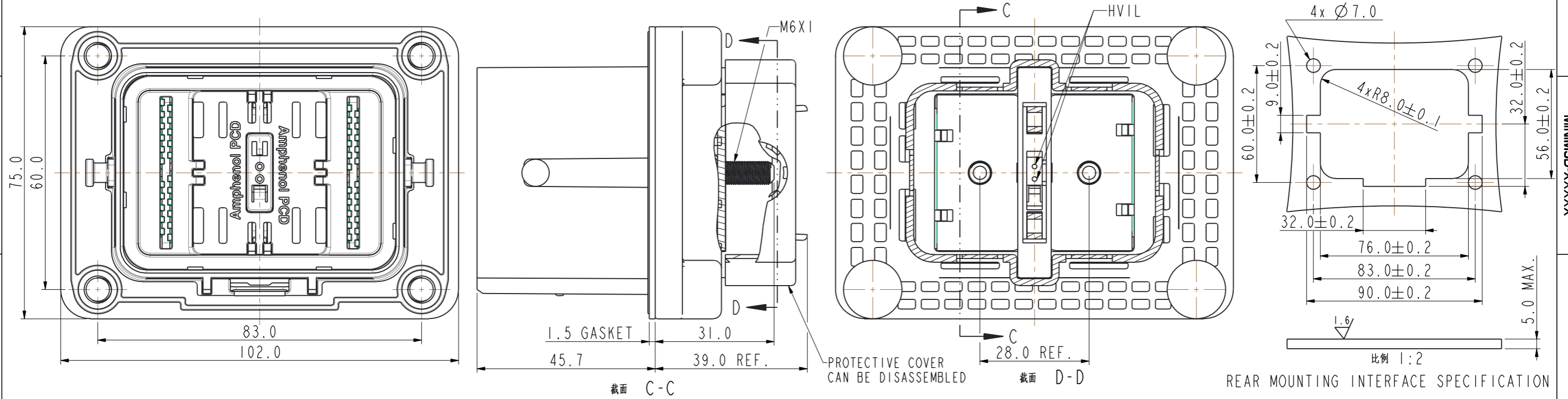
MINIMSD-XXXXX

DIMENSIONS ANSI Y14.5M UNITS: MM Pro/E FILE	TOLERANCES .X ±10 .XX ±0.50 ANGLES ±1.0°	PROJECTION 	Amphenol Pcd Shenzhen		MINI-MSD		
			ENGR	JACK.D 2015.05.23			
ORIGINAL	THIS DOCUMENT CONTAINS PROPRIETARY INFORMATION WHICH IS THE CONFIDENTIAL PROPERTY OF AMPHENOL PCD SHENZHEN		CHKD		A3	C-MINIMSD-XXXXX	C
			APPD	<i>Jack</i>	CODE: 58982	SCALE:	SHEET 1 OF 3

MINIMSD-XXXXX



比例 1:2
FRONT MOUNTING INTERFACE SPECIFICATION



比例 1:2
REAR MOUNTING INTERFACE SPECIFICATION

NOTES:

1. THREADED STUD TORQUE LIMITS (M6)
螺栓锁紧力矩 (M6): 6.0Nm±0.5Nm
2. HVIL CONNECTOR: MSD-HVIL-2S
HVIL 信号连接器型号: MSD-HVIL-2S
3. MOUNTING SURFACE THICKNESS: MAX 5mm
法兰安装板厚度 最大5mm
4. INNER HOUSING MAY BE ASSEMBLED ROTATED 180° FROM AS SHOWN. 内部插芯有可能与图纸中的方向相差180°
5. RATED VOLTAGE 额定工作电压: SEE SHEET 3 见第三页
6. 额定工作电流: SEE SHEET 3 见第三页
7. 相对湿度40%~70% (温度为23±5°C)
Humidity: 40%~70% (AT 23±5°C)

TECHNICAL DATA		FEATURE
RATED VOLTAGE (NO FUSE)	1500V DC	★
RATED VOLTAGE (WITH FUSE)	750V DC. MAX.	★
OPERATING TEMPERATURE	-40°C~+125°C	
AMBIENT TEMPERATURE	-40°C~+70°C	
DIELECTRIC WITHSTANDING VOLTAGE	3000V AC	★
INSULATION RESISTANCE	100MΩ . MIN.	★
DURABILITY	50 CYCLES	◎
WATERPROOF (MATED CONDITION)	IP67, IP6K9K	★

★: Critical Feature

◎: Important Feature

SOCKET PART NUMBER 插座型号:

ITEM 序列	DESCRIPTION 描述	ORDER P/N 订单型号	RATED CURRENT 额定电流
1	SOCKET, FRONT MOUNTED 前安装插座	MINIMSDF000F	170A
2	SOCKET, REAR MOUNTED 后安装插座	MINIMSDF000R	170A
3	SOCKET, FRONT MOUNTED 前安装插座升级电流版	MINIMSDV2F000F	220A
4	SOCKET, REAR MOUNTED 后安装插座升级电流版	MINIMSDV2F000R	220A

SIZE A3	DWG NO. MINIMSD-XXXXX	REV C
CODE: 58982	SCALE:	SHEET 2 OF 3

△ PLUG PART NUMBER 插头型号:

CATEGORY 类别	FUSE MFG. 熔断器生产商	DESCRIPTION 描述	ORDER P/N 订单型号	FUSE SPEC. 熔断器规格	MARKING 对应插头印字	RATED VOLTAGE 额定电压	SUITABLE SOCKET 配套插座型号
1	N/A	PLUG, SHUNT 插头, 短接版	MINIMSDM000	N/A	SHUNT 170A	1500V DC	MINIMSDF000F, MINIMSDF000R
2	N/A	PLUG, SHUNT 插头, 短接升级电流版	MINIMSDVM000	N/A	SHUNT 220A	1500V DC	MINIMSDV2F000F, MINIMSDV2F000R
3	BUSSMANN 巴斯曼	PLUG 插头	MINIMSDM080	80A	80A	690V AC, 700V DC	ALL
			MINIMSDM100	100A	100A		
			MINIMSDM125	125A	125A		
			MINIMSDM160	160A	160A		
			MINIMSDM200	200A	200A		
			MINIMSDM250	250A	250A		
			MINIMSDM315	315A	315A		
			MINIMSDM350	350A	350A	690V AC, 600V DC	
MINIMSDM400	400A	400A	600V AC, 600V DC				
4	BUSSMANN 巴斯曼	PLUG, VOLTAGE UPGRADE, 插头升级电压版	MINIMSDM0802	80A	80A	750V DC	ALL
			MINIMSDM1002	100A	100A		
			MINIMSDM1252	125A	125A		
			MINIMSDM1602	160A	160A		
			MINIMSDM2002	200A	200A		
			MINIMSDM2502	250A	250A		
			MINIMSDM3152	315A	315A		
			MINIMSDM3502	350A	350A		
			MINIMSDM4002	400A	400A		

1. WITHOUT FUSE 不带熔断器

TYPE: MINIMSD-SHUNT
RATED VOLTAGE AND CURRENT
DC 1500V 170A
T/N: XXXXXXXX XXXX

生产批次号 表示年周: 如 1532
●类别1印字内容CATEGORY 1 PRINT CONTENT

2. WITHOUT FUSE 不带熔断器

TYPE: MINIMSDV-SHUNT
RATED VOLTAGE AND CURRENT
DC 1500V 220A
T/N: XXXXXXXX XXXX

生产批次号 表示年周: 如 1532
●类别2印字内容CATEGORY 2 PRINT CONTENT

3. WITH OLD FUSE 带老款熔断器

TYPE: MINIMSD-XXXX
RATED VOLTAGE AND CURRENT
AC XXXV XXXA
T/N: XXXXXXXX XXXX

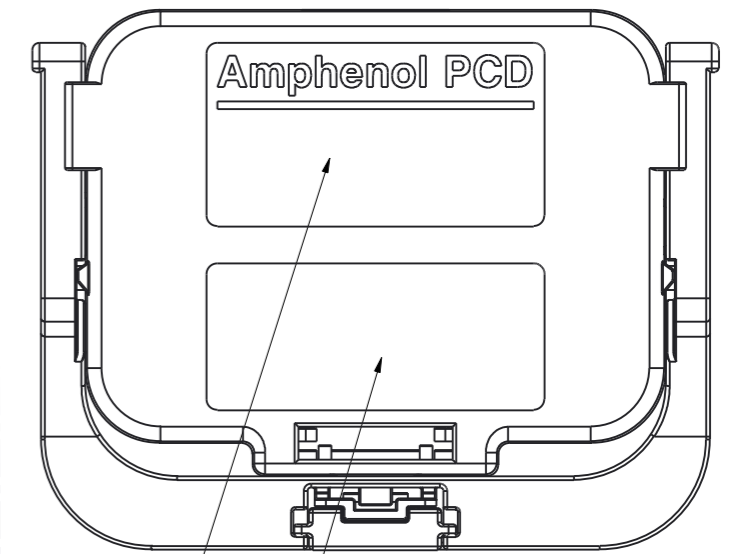
生产批次号 表示年周: 如 1532
●类别3印字内容CATEGORY 3 PRINT CONTENT

4. WITH UPGRADED FUSE 带升级版熔断器

TYPE: MINIMSD-XXXX
RATED VOLTAGE AND CURRENT
DC 750V XXXA
T/N: XXXXXXXX XXXX

生产批次号 表示年周: 如 1532
●类别4印字内容CATEGORY 4 PRINT CONTENT

PLUG PRINT 插头印字

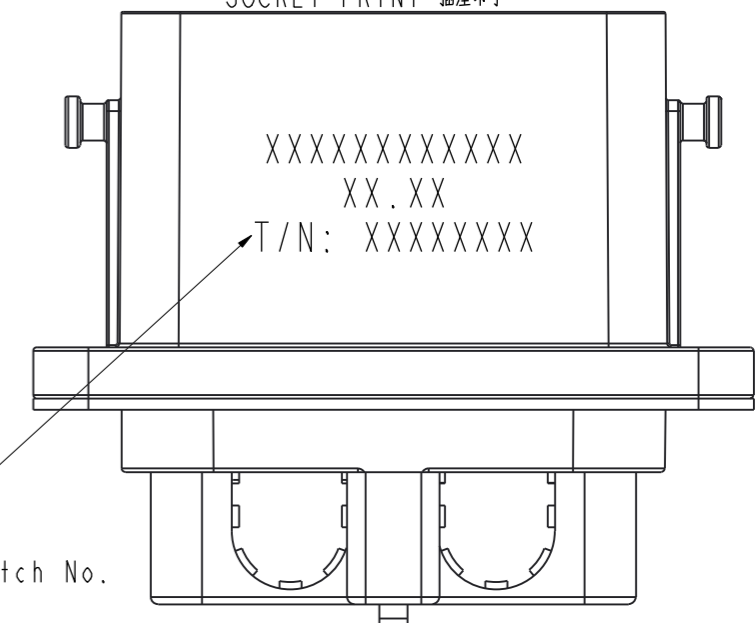


警告标签区域
WARNING LABEL AREA

激光印字内容, 详见上述 1, 2, 3, 4
Laser Printing Content
For Details, See 1, 2, 3, 4

备注: 刻字电流电压根据所选熔断器而定
NOTES: PRINTED RATED VOLTAGE
AND CURRENT BASE ON THE FUSE

SOCKET PRINT 插座印字



XXXXXXXXXXXX: PRODUCT P/N
XX.XX: DATE (YEAR, WEEK)
T/N: XXXXXXXX: Production Batch No.

SIZE A3	DWG NO. C-MINIMSD-XXXXX	REV C
CODE: 58982	SCALE:	SHEET 3 OF 3

X-ON Electronics

Largest Supplier of Electrical and Electronic Components

Click to view similar products for [DC Power Connectors](#) category:

Click to view products by [Amphenol](#) manufacturer:

Other Similar products are found below :

[1600206-1](#) [163-0301-EX](#) [163-0302](#) [163-0308-EX](#) [163-0310-EX](#) [163-1061-EX](#) [163-1100-EX](#) [163-4024](#) [163-4117-EX](#) [163-4118-EX](#) [163-5005-E](#) [163-7421](#) [163-MJ22-EX](#) [171-0721-EX](#) [171-0725-EX](#) [171-3118-EX](#) [171-3210-E](#) [171-3221-EX](#) [171-3222-EX](#) [171-A1326-EX](#) [173-23507-ST-EX](#) [173-5521TIP-EX](#) [173-6330TIP-EX](#) [KLDVX-SMT-02-ATR](#) [KLDX-0201-AHT-1](#) [KLDX-0202-AHT](#) [KLDX-SMT-0202-BP](#) [KLDX-SMT-0202-BPTR](#) [163-0179-EX](#) [163-0307-E](#) [163-0309-EX](#) [163-4007-EX](#) [163-4015-EX](#) [163-4025](#) [163-4119-E](#) [163-4303-E](#) [16PJ101-EX](#) [171-0702-EX](#) [171-0722-E](#) [171-0726-EX](#) [171-2122-EX](#) [171-3216-EX](#) [171-3218-EX](#) [171-3219-EX](#) [171-3220-EX](#) [171-7391](#) [173-3413-ST-EX](#) [173-4017-ST-EX](#) [RAPCBRK](#) [K596](#)