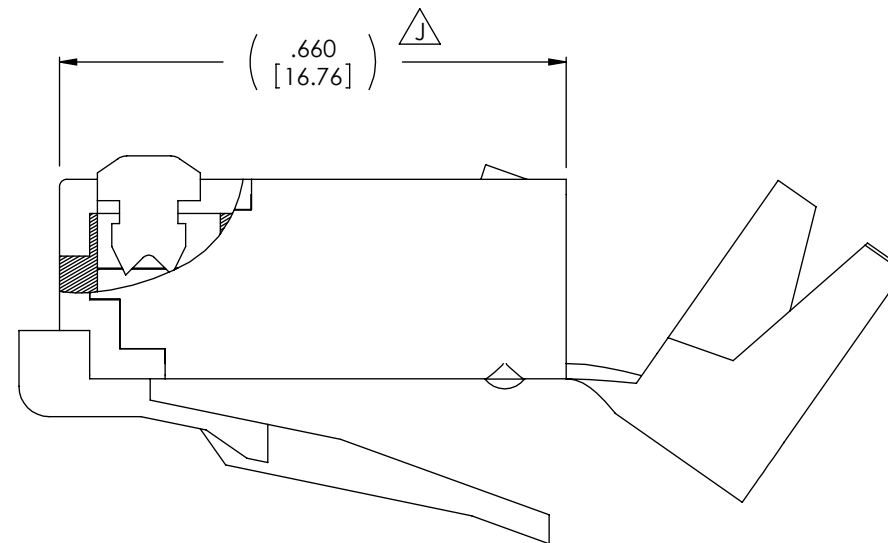
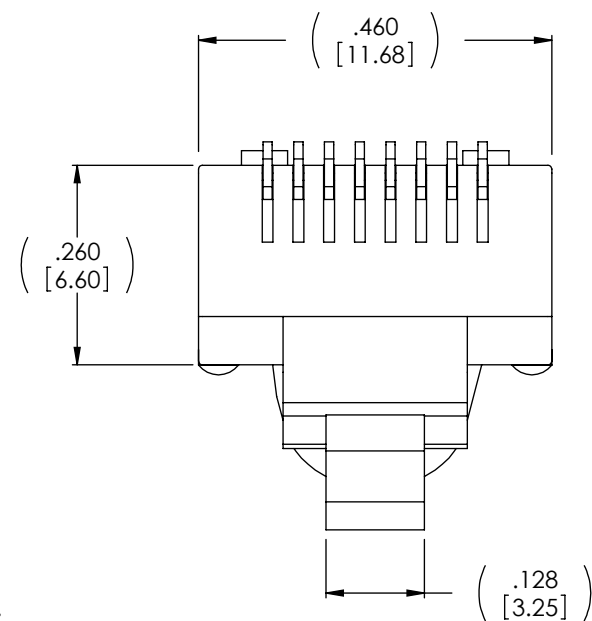
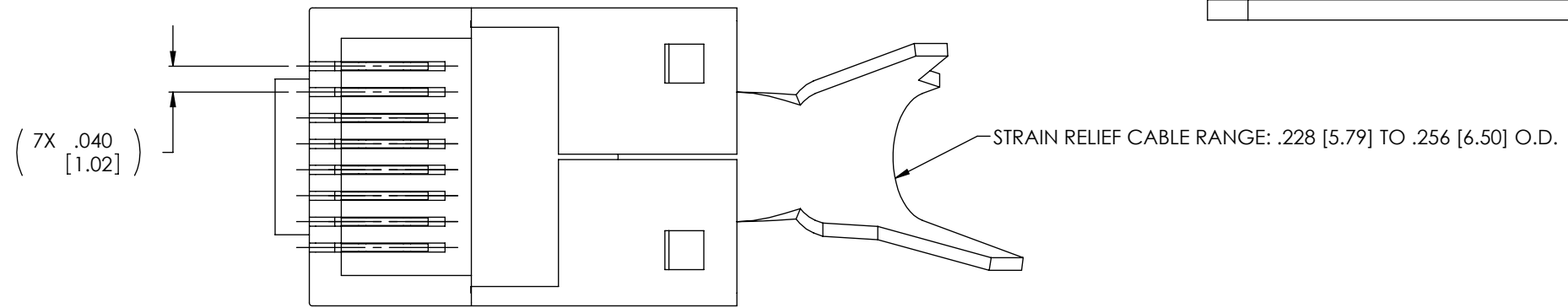


THE INFORMATION CONTAINED IN THIS DRAWING IS THE SOLE PROPERTY OF L-COM, INC. ANY REPRODUCTIONS IN PART OR WHOLE WITHOUT THE WRITTEN PERMISSION OF L-COM, INC. IS PROHIBITED.

REVISIONS			
REV	DESCRIPTION	DATE	CHANGED BY
H	ECN 4491: CN RELEASE	1/12/10	D. CASTRO
H	ECN99999: ADDED RoHS COMPLIANT STAMP	03/18/10	DFP
J	ECN5431: .660 WAS .618	04/08/11	DFP



NOTES:

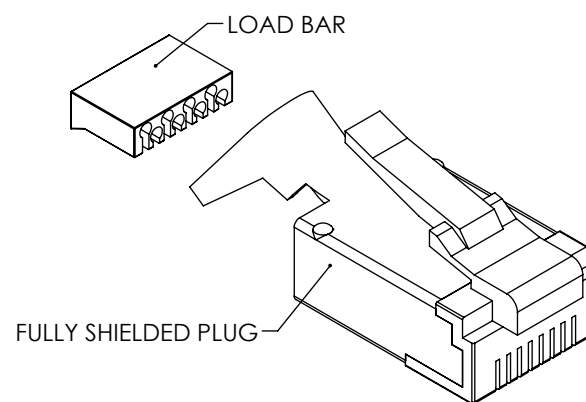
MATERIAL:
 HOUSING, LOAD BAR: POLYCARBONATE, CLEAR, UL94V-0
 CONTACTS: PHOSPHOR BRONZE
 SHIELD/STRAIN RELIEF: BRASS

FINISH:
 CONTACTS: 50 MICROINCHES [1.27 MICRON] MIN. GOLD IN CONTACT AREA
 OVER 100 MICROINCHES [2.54 MICRON] MIN. NICKEL PLATE OVERALL.
 SHIELD/STRAIN RELIEF: 100 MICROINCHES [2.54 MICRON] NICKEL

ELECTRICAL:
 VOLTAGE: 125 VAC. MAX.
 CURRENT: 1.5 AMPS MAX.

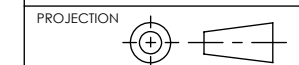
MECHANICAL:
 CONTACT STYLE: 2 PRONG
 COMPATIBLE WITH STRANDED AND SOLID CONDUCTORS
 CONDUCTOR RANGE: 24 - 26 AWG
 MAX. CONDUCTOR INSULATION DIAMETER: .042 [1.07]
 PARTS SHALL CONFORM TO TIA-1096

MISCELLANEOUS:
 OPERATING TEMPERATURE RANGE: -40°C TO +125°C
 TERMINATED CONTACT HEIGHT: .237±.005 [6.02±.13]
 FOR TERMINATION OR TOOLING INFORMATION PLEASE VISIT
 THE APPROPRIATE PRODUCT PAGE AT WWW.L-COM.COM
 PACKAGE PER SPEC. PS-0032



RoHS Compliant ✓

UNLESS OTHERWISE SPECIFIED,
 DIMENSIONS ARE IN INCHES [mm]
 OVERALL CABLE LENGTH TOLERANCE:
 ≤12 [305] = +1 [25] / -0
 >12 [305] ≤60 [1524] = +2 [51] / -0
 >60 [1524] ≤120 [3048] = +4 [102] / -0
 >120 [3048] ≤300 [7620] = +6 [152] / -0
 >300 [7620] = +5% / -0%
 ALL OTHER DIMENSIONAL TOLERANCES:
 .X = ±.2
 .XX = ±.02
 .XXX = ±.005



APPROVALS	DATE
DRAWN BY D. PARHAM	2/3/2004
CHECKED BY T. CLARK	2/3/2004
APPROVED BY C. McCORMICK	2/3/2004

L-com Global Connectivity
 45 BEECHWOOD DRIVE
 NORTH ANDOVER, MA
 01845

CATEGORY MODULAR	
PRODUCT DESCRIPTION PLUG,RJ45 8X8 SHLD W/SR	
SIZE B	FSCM NO. 43321
DWG. NO. TDS8PC5	REV. J
SCALE: 4:1 CAD FILE: TDS8PC5.SLDDRW SHEET 1 OF 1	

1AD03-013

X-ON Electronics

Largest Supplier of Electrical and Electronic Components

Click to view similar products for [Modular Connectors](#) / [Ethernet Connectors](#) category:

Click to view products by [L-Com](#) manufacturer:

Other Similar products are found below :

[RJE231881317T](#) [MP1010RX-1000](#) [MP44RX-1000](#) [GAX-3-66](#) [GAX-8-62](#) [93606-0253](#) [GD-A-44](#) [GDCX-PA-66-50](#) [GDCX-PN-64](#) [GDCX-PN-66](#) [GDCX-PN-66-50](#) [GDLX-A-66](#) [GDLX-A-88](#) [GDLX-N-66](#) [GDLX-S-88K](#) [GDTX-S-88-50](#) [GDX-PA-1010](#) [GLX-N-1010M-BLK](#) [GLX-N-44M](#) [GLX-S-88M-BLK](#) [GMX-N-1010](#) [GMX-S-1010](#) [GMX-S-66](#) [GMX-SMT2-N-1010](#) [GMX-SMT2-N-64-50](#) [GMX-SMT2-S6-88](#) [GMX-SMT4-N-88](#) [GPX-2-64](#) [GRT1-BT1-5](#) [GSGX-N-2-88](#) [GSX-NS2-88-3.05](#) [GSX-NS2-88-3.05-50](#) [GSX-NS-88-3.05-30](#) [GSX-NS-88-3.05-50](#) [GSX-NS-88-3.68](#) [1-1775629-2](#) [GWLX-S-88-GR](#) [GWLX-S9-88-YG](#) [1300500326](#) [1300500227](#) [1300530003](#) [1300570002](#) [1324640-4](#) [RJ11FTVC2G](#) [RJ11FTVC2N](#) [RJFTVX2SA1G](#) [132764-001](#) [1400000](#) [1413176](#) [1413235](#)