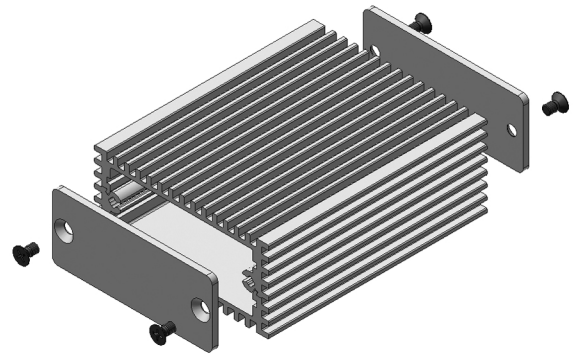
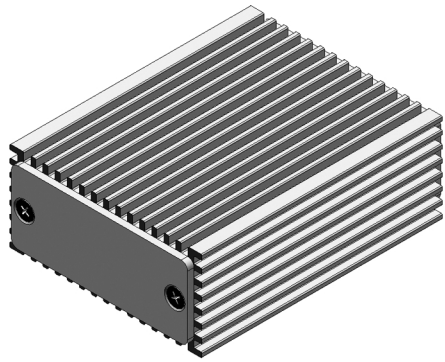
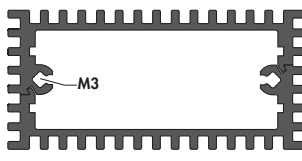
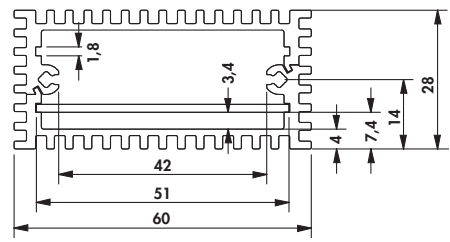


Miniature aluminium casing with cooling fins



- with integrated cooling fins; casing tubes made of aluminium sections which are slotted into each other and screwed together
- the tubes form a guide groove in the centre for insertion of a printed circuit board or installation plate with a thickness of 1.5 to 1.6 mm and a width of 44 mm
- D-Sub connector, 25-way, can be mounted → f.con "I"
- profile can also be combined with the profiles of case AKG 55 (GB 39 and GB 46)
- supplied as demounted kit, incl. 2 mm cover panels and mounting material
- cutouts, special lengths and surface treatments upon request

<b>art. no.</b>	 <p>GB 56</p>	
<b>KRK 60 28 ...</b>		
<b>please indicate:</b>	... $\left[ \right]$ <b>50 80 100 mm</b>	<b>... surface</b> <b>SA = black anodised</b> <b>ME = natural colour anodised</b>

Profile in metre lengths → M 34

**M 33**

EMC-seals  
Combination cases  
Cooling case  
Tube cases

→ M 49 - 51 Design case Secco  
→ M 11 - 17 Design case Frame  
→ M 35 - 39 Design case Chac  
→ M 21 - 25 Design case Eurotainer

→ M 42  
→ M 43 - 44  
→ M 45  
→ M 46

## X-ON Electronics

Largest Supplier of Electrical and Electronic Components

*Click to view similar products for [fisher manufacturer](#):*

Other Similar products are found below :

[FR 105 52 220 ME](#) [FR 120 42 200 ME](#) [GEL 28 30](#) [GEL 45 10](#) [GEL 45 50](#) [GEL 60 10](#) [AKG 33 20 80 ME](#) [BL 2 72 Z](#) [ICKSR40X30](#) [LA 17](#)  
[150 230](#) [LA 21 150 230](#) [LA 21 150 24](#) [LA 27 K 100 12](#) [LA 27 K 100 24](#) [LA 27 K 150 12](#) [LA 27 K 50 24](#) [SK4615AL](#) [SK 47 250 SA](#)  
[SK56920AL](#) [SK57225SA](#) [SK57720AL](#) [SK58420AL](#) [SK58437.5SA](#) [SK 622 1000 AL](#) [SK 622 1000 SA](#) [SK 622 100 AL](#) [SK 623 100 SA](#) [SK](#)  
[626 1000 SA](#) [SK 626 50 SA](#) [SK 627 1000 AL](#) [SK 627 200 AL](#) [SK 627 200 SA](#) [SK 627 50 SA](#) [SK 632 100 AL](#) [SK 633 25 AL](#) [SK 636 100](#)  
[AL](#) [SK LED R 65 SA](#) [SK LED R 80 SA](#) [AKG 69 24 100 SA](#) [FR 80 42 160 ME](#) [GE K 80 42 100 SA](#) [GEL 45 30](#) [GEL 60 25](#) [GEL F 15 10](#)  
[TUF 120 42 220 ME](#) [TUF 55 16 200 SA](#) [LA 27 K 50 12](#) [LA 27 K 75 24](#) [WAG 200 SA](#) [SK57025AL](#)