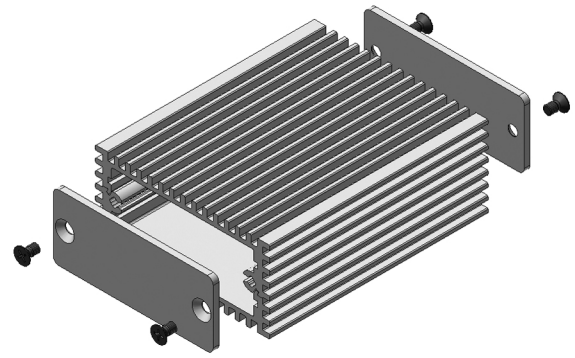
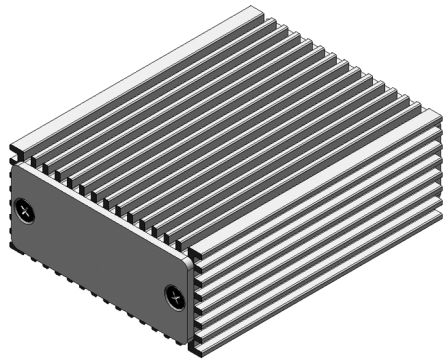


Miniature aluminium casing with cooling fins



- with integrated cooling fins; casing tubes made of aluminium sections which are slotted into each other and screwed together
- the tubes form a guide groove in the centre for insertion of a printed circuit board or installation plate with a thickness of 1.5 to 1.6 mm and a width of 44 mm
- D-Sub connector, 25-way, can be mounted → **f.con "I"**
- profile can also be combined with the profiles of case AKG 55 (**GB 39** and **GB 46**)
- supplied as demounted kit, incl. 2 mm cover panels and mounting material
- cutouts, special lengths and surface treatments upon request

art. no.	 GB 56	
KRK 60 28 ...		
please indicate:	... $\left[\right]$ 50 80 100 mm	... surface SA = black anodised ME = natural colour anodised

Profile in metre lengths → M 34

M 33

EMC-seals
Combination cases
Cooling case
Tube cases

→ **M 49 - 51** **Design case Secco**
→ **M 11 - 17** **Design case Frame**
→ **M 35 - 39** **Design case Chac**
→ **M 21 - 25** **Design case Eurotainer**

→ **M 42**
→ **M 43 - 44**
→ **M 45**
→ **M 46**

X-ON Electronics

Largest Supplier of Electrical and Electronic Components

Click to view similar products for [Enclosures, Boxes, & Cases](#) category:

Click to view products by [Fisher](#) manufacturer:

Other Similar products are found below :

[CR-425 PAINTED](#) [585-R-WH-PK](#) [M-10-PLATED](#) [60221-01](#) [60566-01-000](#) [HPL-9VB BATT DOOR](#) [M-16-LID-PLATED](#) [M18-PLTD](#) [M-21-LID-PLATED](#) [M-21-PLATED](#) [M-23-PLATED](#) [CU-281-MB](#) [6711GSKT](#) [71884-29-028](#) [LH45-100 Black](#) [7200B](#) [72868-510-000](#) [CNS-0000 Black](#) [72883-510-000](#) [CNS-0101 Black](#) [72906-510-000](#) [CNS-0407 Black](#) [73091-510-000](#) [CNM-0000-BLACK Kit](#) [73092-510-000](#) [CNM-0101 Black](#) [73108-510-000](#) [CNL-0303 Black](#) [73395-510-039](#) [CNS-0006 Bone](#) [74257-510-000](#) [CNL-0004](#) [MDC-1183-PLAIN-ALUM](#) [MDC-1183-PTD](#) [MDC-13104-PLAIN-ALUM](#) [MDC-211 - PAINTED IVORY/BEIGE](#) [MDC-321-PTD](#) [MDC-432-PLAIN-ALUM](#) [MDC-973-PTD](#) [76](#) [77153-01-028](#) [FLX6030](#) [83535-01-508](#) [PS-11296-G](#) [PS-11298-B](#) [116-508](#) [120-407](#) [120-412](#) [120-909](#) [120-455](#) [R272-100-000](#) [120-910](#) [R501-001-010](#) [R508-080-000](#) [R508-160-000](#) [R530-120-000](#) [R530-122-000](#) [R530-200-000](#) [R531-160-000](#) [R531-200-000](#) [R582-080-100](#)