

ML8511A

UV Sensor with Voltage Output

GENERAL DESCRIPTION

The ML8511A is a UV sensor, which is suitable for acquiring UV intensity indoors or outdoors. The ML8511A is equipped with an internal amplifier, which converts photo-current to voltage depending on the UV intensity. This unique feature offers an easy interface to external circuits such as ADC. In the power down mode, typical standby current is 0.1 μ A, thus enabling a longer battery life.

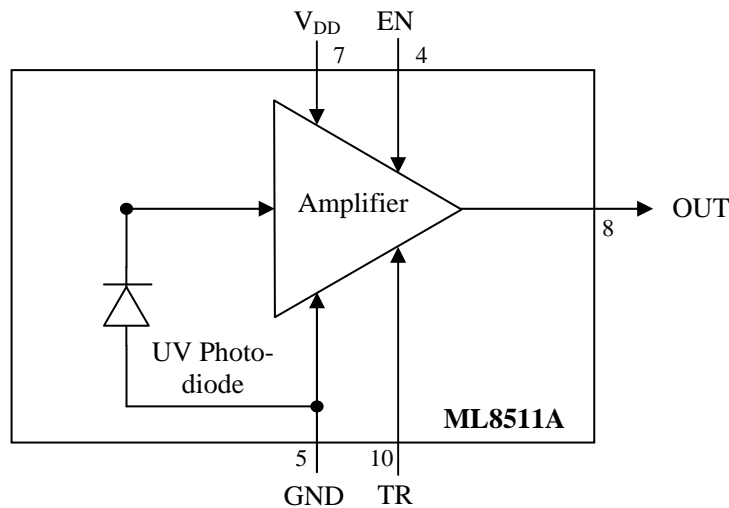
FEATURES

- Photodiode sensitive to UV-A and UV-B
- Embedded operational amplifier
- Analog voltage output
- Low supply current (300 μ A typ.) and low standby current (0.1 μ A typ.)
- Small and thin surface mount package (4.0mm x 3.7mm x 0.73mm, 12-pin ceramic QFN)

APPLICATIONS

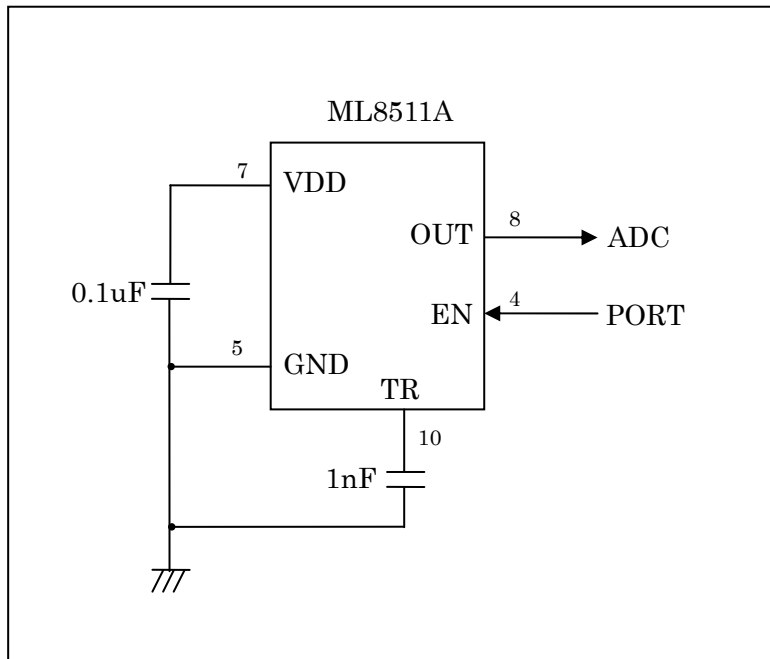
- Smart phone, Smart watch, Wearable healthcare device, Weather station, Bicycle navigation, Accessory

BLOCK DIAGRAM



PIN CONFIGURATIONS

Pin	Symbol	I/O	Function
7	VDD	PW	Supply voltage. Decouple this pin to ground with 0.1 μ F capacitor.
5	GND	PW	Ground
4	EN	I	Active high enable pin. (High: Active mode, Low: Standby mode)
8	OUT	O	Output (Low in power down or standby mode)
10	TR	I/O	Internal reference voltage. Decouple this pin to ground with 1 nF capacitor.
1,2,3,6,9,11,12	NC	-	No Connection. Do not connect.

EXAMPLE OF CONNECTING DIAGRAM

* Load resistance of OUT port is recommended more than 100 k Ω .

ABSOLUTE MAXIMUM RATINGS

Parameter	Symbol	Condition	Rating	unit
Supply Voltage	V_{DD}	Ta=25 °C	-0.3 to +4.6	V
Input Voltage	V_I	Ta=25 °C	-0.3 to +4.6	V
Output Short Current	I_{OS}	Ta=25 °C	5	mA
Power Dissipation	P_D	Ta=25 °C	30	mW
Storage Temperature	T_{stg}	-	-30 to +85	°C

RECOMMENDED OPERATION CONDITIONS

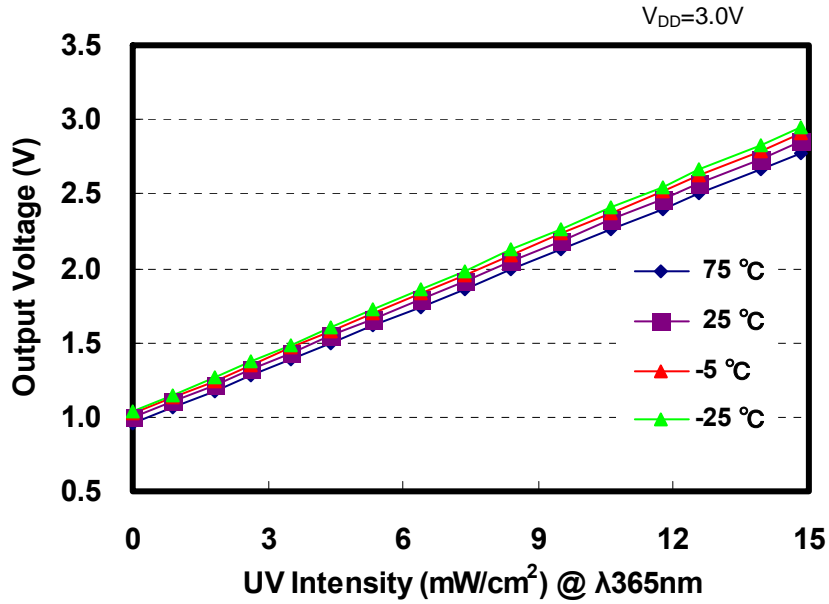
Parameter	Symbol	Min.	Typ.	Max.	unit
Operating Voltage	V_{DD}	2.7	3.3	3.6	V
Operating Temperature	Ta	-20	-	70	°C

ELECTRO-OPTICAL CHARACTERISTICS(V_{DD}=+2.7V to +3.6V, Ta= -20°C to +70°C)

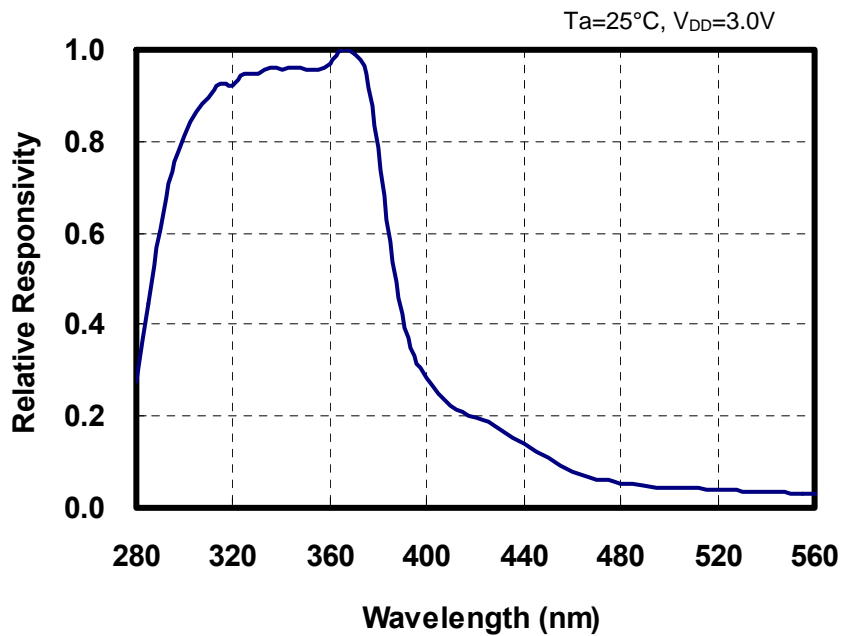
Parameter	Symbol	Condition	Min.	Typ.	Max.	unit
Supply Current (active mode)	I_{DDA}	$V_{EN}=V_{DD}$	-	300	500	μA
Supply Current (standby mode)	I_{DDs}	$V_{EN}=0$	-	0.1	1	μA
Input Voltage (High level)	V_{IH}	-	$V_{DD} \times 0.8$	-	$V_{DD} + 0.3$	V
Input Voltage (Low level)	V_{IL}	-	-0.2	-	0.72	V
High level input current	I_{IH}	$V_{EN}=V_{DD}$	-	-	1	μA
Low level input current	I_{IL}	$V_{EN}=0$	-1	-	-	μA
Wavelength of maximum sensitivity	λ_p	Ta=25°C	-	365	-	nm
Output Setup Time	T_{SU}	$V_{EN}=V_{DD}$	-	-	1	ms
Output Voltage (Shading) *	V_{REF}	Ta=25°C, $V_{EN}=V_{DD}$	0.95	1.0	1.05	V
Output Voltage (10mW/cm ² at λ_p) *	V_O	Ta=25°C, $V_{EN}=V_{DD}$	2.08	2.2	2.32	V

* Load resistance of OUT port is recommended more than 100 kΩ.

OUTPUT VOLTAGE- UV INTENSITY CHARACTERISTICS



SPECTRAL RESPONSIBILITY CHARACTERISTICS

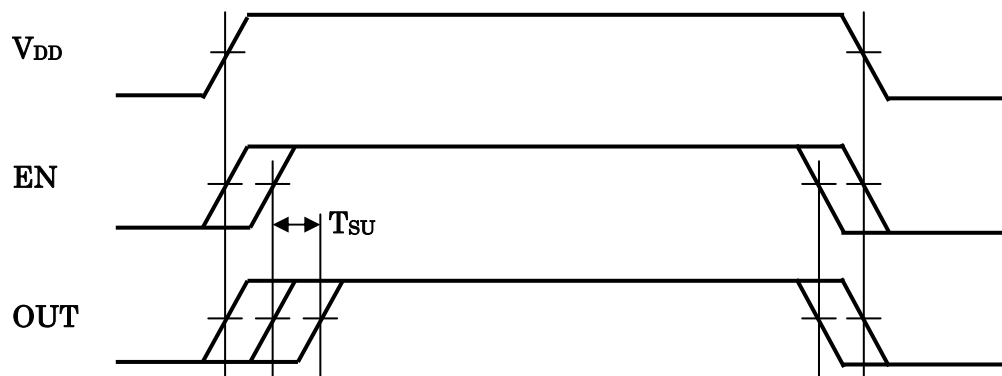


TIMING CHART

Supply voltage and EN signal state should take one of the following procedures:

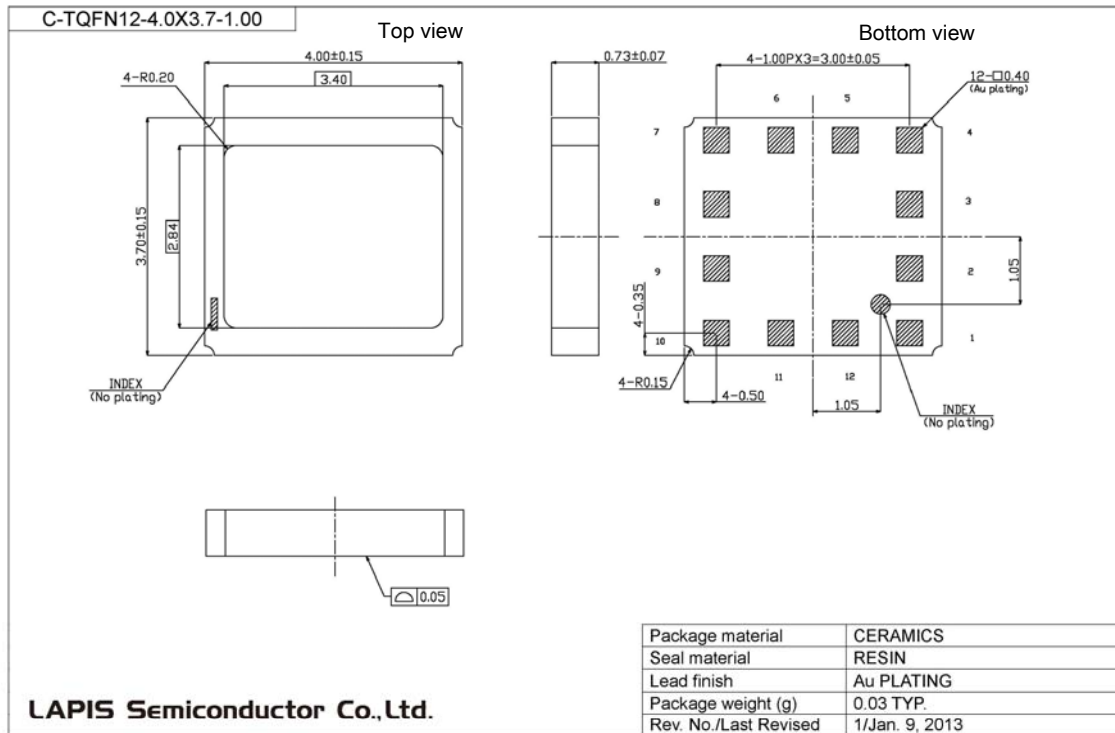
1. EN should be HIGH or LOW at the same time when V_{DD} is applied.
2. EN should be HIGH or LOW while V_{DD} is applied.

Output should be read after output voltage level becomes stable. Maximum time required until stable output voltage reaches is 1 millisecond after EN goes HIGH.



PACKAGE DIMENSIONS

(Unit: mm)



Cautions

Do not touch the surface of the resin covering the top of the package as the resin is scratched easily and bonding wires under the resin may be damaged.

Specifications are defined without considering the UV absorption by an external cover material. If a cover is used over the sensor, take the UV transparency of the cover into consideration.

REVISION HISTORY

Document No.	Date	Page		Description
		Previous Edition	Current Edition	
FEDL8511A-01	April. 1, 2015	-	-	Initial release
FEDL8511A-02	October 6, 2015	1	1	Block diagram and pin configurations are modified with removal of internal bonding wires.
		6	6	Added "Top view" and "Bottom view".

Notes

- 1) The information contained herein is subject to change without notice.
- 2) Although LAPIS Semiconductor is continuously working to improve product reliability and quality, semiconductors can break down and malfunction due to various factors. Therefore, in order to prevent personal injury or fire arising from failure, please take safety measures such as complying with the derating characteristics, implementing redundant and fire prevention designs, and utilizing backups and fail-safe procedures. LAPIS Semiconductor shall have no responsibility for any damages arising out of the use of our Products beyond the rating specified by LAPIS Semiconductor.
- 3) Examples of application circuits, circuit constants and any other information contained herein are provided only to illustrate the standard usage and operations of the Products. The peripheral conditions must be taken into account when designing circuits for mass production.
- 4) The technical information specified herein is intended only to show the typical functions of the Products and examples of application circuits for the Products. No license, expressly or implied, is granted hereby under any intellectual property rights or other rights of LAPIS Semiconductor or any third party with respect to the information contained in this document; therefore LAPIS Semiconductor shall have no responsibility whatsoever for any dispute, concerning such rights owned by third parties, arising out of the use of such technical information.
- 5) The Products are intended for use in general electronic equipment (i.e. AV/OA devices, communication, consumer systems, gaming/entertainment sets) as well as the applications indicated in this document.
- 6) The Products specified in this document are not designed to be radiation tolerant.
- 7) For use of our Products in applications requiring a high degree of reliability (as exemplified below), please contact and consult with a LAPIS Semiconductor representative: transportation equipment (i.e. cars, ships, trains), primary communication equipment, traffic lights, fire/crime prevention, safety equipment, medical systems, servers, solar cells, and power transmission systems.
- 8) Do not use our Products in applications requiring extremely high reliability, such as aerospace equipment, nuclear power control systems, and submarine repeaters.
- 9) LAPIS Semiconductor shall have no responsibility for any damages or injury arising from non-compliance with the recommended usage conditions and specifications contained herein.
- 10) LAPIS Semiconductor has used reasonable care to ensure the accuracy of the information contained in this document. However, LAPIS Semiconductor does not warrant that such information is error-free and LAPIS Semiconductor shall have no responsibility for any damages arising from any inaccuracy or misprint of such information.
- 11) Please use the Products in accordance with any applicable environmental laws and regulations, such as the RoHS Directive. For more details, including RoHS compatibility, please contact a ROHM sales office. LAPIS Semiconductor shall have no responsibility for any damages or losses resulting non-compliance with any applicable laws or regulations.
- 12) When providing our Products and technologies contained in this document to other countries, you must abide by the procedures and provisions stipulated in all applicable export laws and regulations, including without limitation the US Export Administration Regulations and the Foreign Exchange and Foreign Trade Act.
- 13) This document, in part or in whole, may not be reprinted or reproduced without prior consent of LAPIS Semiconductor.

X-ON Electronics

Largest Supplier of Electrical and Electronic Components

Click to view similar products for [Light To Frequency & Light To Voltage](#) category:

Click to view products by [ROHM](#) manufacturer:

Other Similar products are found below :

[TSL201CL](#) [OPT101P-JG4](#) [BH1790GLC-E2](#) [TCS3200D-TR](#) [TSL237T](#) [TSL238D-TR](#) [TSL261R-LF](#) [MLX75305KXD-AAA-000-RE](#)
[MLX75305KXD-AAA-000-SP](#) [AM-1417CA](#) [AM-1454CA](#) [AM-1456CA](#) [AM-1801CA](#) [AM-1815CA](#) [AM-1816CA](#) [AM-1819CA](#) [AM-](#)
[5412CAR](#) [AM-5608CAR](#) [AM-5610CAR](#) [AM-5706CAR](#) [AM-5902CAR](#) [AM-5904CAR](#) [AM-5907CAR](#) [AM-8701CAR](#) [AM-8702CAR](#) [AM-](#)
[8801CAR](#) [AT-7665A](#) [OPT101P](#) [OPT101P-J](#) [OPT301M](#) [TSL257LF](#)