



**Ultra-compact, self powered
4 digit totalizing counter... PCB
mount or in panel with provided
bezel**

Ultraminiature totalizing counter module for printed circuit board mounting. 4 digit, 6mm high, LCD display. Powered by an internal button-cell (provided/replaceable), typically supporting memory and operation for 3 to 4 years.

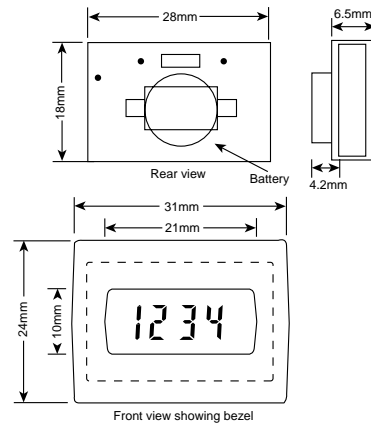
An integral switch-bounce filter allows error free counting from the mechanical contacts of switches or relays.

PCB solder-pins are provided for electrical connections. An attractive panel mount installation can be made using the provided bezel.

- Internal 1.5v button cell
- Battery life of 3 to 4 years
- 4 digit, 6mm high LCD display
- Integral switch-debounce circuitry
- Panel mounting bezel provided

An ideal choice where a very low cost, self-powered totalizing counter is required. Typical applications include dispensing, and operation or event counting.

Dimensions:



SPECIFICATIONS

Supply Voltage: Replaceable 1.5v button cell type 386 or SR43 (provided)

Expected battery life: 3 - 4 years at 20°C

Display: 4 digit LCD, 6mm characters

Count Range: 9999 display rollover to 0

Count Input: 12Hz maximum, contact closure. Operates on contact opening

Reset: to zero on insertion of battery. Remote reset can be accommodated

Operating Temperature: 0°C to 50°C

Storage Temperature: -10°C to +60°C

Material: Clear polycarbonate, black ABS bezel

Environmental Protection: IP40/DIN40050

Weight: 7.5 grams

Lead Length: 24cm

Model Number	Description
0799984-322	Totalizing Counter, with button battery

X-ON Electronics

Largest Supplier of Electrical and Electronic Components

Click to view similar products for [veeder root](#) manufacturer:

Other Similar products are found below :

[0166726-006](#) [0195316-051](#) [0116425-007](#) [0149000-101](#) [A103-004](#) [RFMT00R](#) [RFMV00](#) [RFXDC10](#) [RFXP10](#) [RFXS00](#) [RFXT00](#) [C346-0411](#)
[C346-0422](#) [C628-20052](#) [C628-20300](#) [C628-40050](#) [C628-41002](#) [C628-41300](#) [C628-81002](#) [C628-90000](#) [S628-20300](#) [A103-A14](#) [RFMSK00](#)
[RFMT00](#) [RFMV00R](#) [RFXD00](#) [RFXD10](#) [RFXS10](#) [C342-1562](#) [C346-0513](#) [C628-20000](#) [C628-20002](#) [C628-21350](#) [C628-40000](#) [C628-40002](#)
[C628-40052](#) [C628-41302](#) [C628-51002](#) [C628-60002](#) [0317680-001](#) [0703006-003](#) [0726845-001](#) [0727245-001](#) [0743425-003](#) [0743425-005](#)
[0744386-211](#) [0745815-001](#) [0779526-201](#) [0779565-216](#) [0727235-001](#)