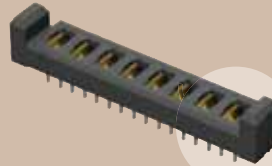




UPS-04-01-01-L-RA-LC

UPS-08-04.0-01-L-V



UPS-04-07.0-03-L-PV

(3,81 mm) .150"

UPS SERIES

DUAL LEAF 20 A POWER SOCKET

SPECIFICATIONS

For complete specifications see www.samtec.com?UPS

Insulator Material: Black LCP

Contact Material: BeCu

Plating: Sn or Au over 50µ" (1,27 µm) Ni

Operating Temp Range: -55°C to +105°C with Tin; -55°C to +125°C with Gold

Voltage Rating: 375 VAC/530 VDC

RoHS Compliant: Yes

Lead-Free Solderable: Yes

Yes

RECOGNITIONS

For complete scope of recognitions see www.samtec.com/quality



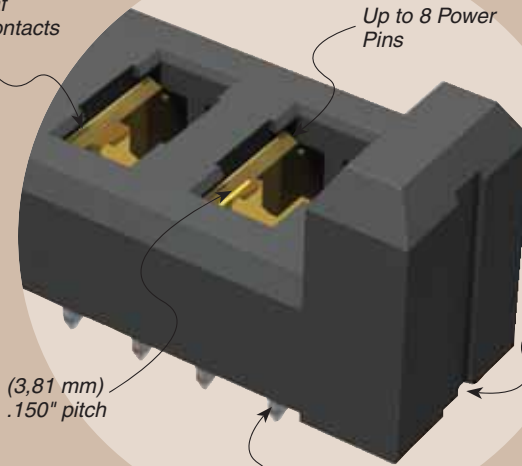
Mates with: UPT

UPT-V/UPS-V	
PINS	CURRENT RATING (PER CONTACT)
1	23 A
2	18.6 A
3	17.5 A
4	16.7 A
ALL	14 A
-L PLATING	

UPT-RA/UPS-RA	
PINS	CURRENT RATING (PER CONTACT)
1	23.5 A
2	20.1 A
3	16.9 A
4	15.5 A
ALL	13.3 A
-L PLATING	

Dual leaf blade contacts

Up to 8 Power Pins



Optional Locking Clip

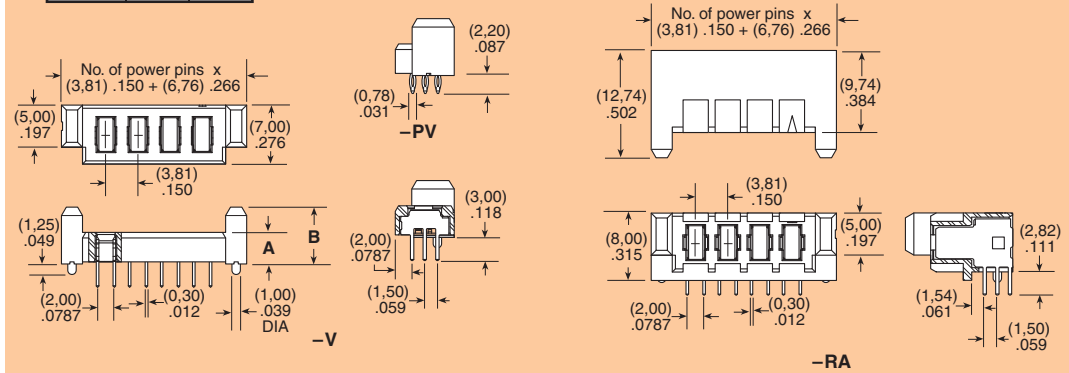
(3,81 mm) .150" pitch

Vertical, Right Angle or Press Fit



UPS	POWER PINS	LEAD STYLE	TAIL LENGTH	PLATING OPTION	TAIL	OTHER OPTION
	-02, -04, -06, -08	-01 = RA only -04.0 = (04,0 mm) .157" (-V & -PV only) -07.0 = (07,0 mm) .276" (-V & -PV only)	-01 = Use with (1,60 mm) .062" Thick PCB (-V & -RA only) -03 = Use with (1,60 mm) .062" Thick PCB (-PV only)	-L = 10µ" (0,25 µm) Gold on contact, Matte Tin on tail -T = Matte Tin (-RA option only)	-V = Vertical (Not available with -T plating) -RA = Right Angle -PV = Press Fit, Vertical	-LC = Locking Clip (Manual placement required) Not available with -PV option

LEAD STYLE	A	B
-04.0	(3,75) .148	(6,75) .266
-07.0	(6,75) .266	(9,75) .384



ALSO AVAILABLE (MOQ Required)

- Solder leads for (2,36 mm) .093" thick board

Contact Samtec.

TOOLING

Press fit tooling available. Contact Samtec.

MATED HEIGHT*	
UPS LEAD STYLE	UPT LEAD STYLE
-04.0	(7,00) .276
-07.0	(10,00) .394

*Processing conditions will affect mated height.

Note: Some sizes, styles and options are non-standard, non-returnable.

Due to technical progress, all designs, specifications and components are subject to change without notice.

WWW.SAMTEC.COM

X-ON Electronics

Largest Supplier of Electrical and Electronic Components

Click to view similar products for [FFC & FPC Connectors](#) category:

Click to view products by [Samtec](#) manufacturer:

Other Similar products are found below :

[HFW11R-1STE1H1LF](#) [FH29B-100S-0.2SHW\(99\)](#) [FA5S008HP1](#) [FH29B-120S-0.2SHW\(99\)](#) [FH29B-80S-0.2SHW\(99\)](#) [FHS-16](#) [FPH-2022G](#)
[52610-1075](#) [52610-1275](#) [52610-1934](#) [XF3M\(1\)-1415-1B-R100](#) [501864-3091-TR225](#) [0525594033](#) [086210010340800](#) [086222026001800](#)
[52271-2869-CUT-TAPE](#) [62674-201121DLF](#) [62684-36210E9ALF](#) [52610-1675](#) [52746-1671-TR250](#) [10051922-2810EHLF](#) [6-520415-9](#)
[BD021-09A-A1-0350-0200-0550-LD](#) [SFV6R-1STE9HLF](#) [XF3M-2915-1B-R100](#) [1658549-1](#) [62674-221121ALF](#) [46214008010800](#)
[046298003000883](#) [151660622](#) [842-816-2630-035](#) [AYF530665TA](#) [AYF351525](#) [046296011930846+](#) [AYF352325A](#) [046254020000800+](#)
[FH19C-13S-0.5SH\(99\)](#) [FH39J-51S-0.3SHW\(99\)](#) [AYF355125A](#) [AYF530365TA](#) [FH29B-44S-0.2SHW\(99\)](#) [SFW5R-2STAE9LF](#) [AYF351125A](#)
[AYF350725A](#) [62684-502100AHLF](#) [FH39-61S-0.3SHW\(99\)](#) [AYF414035A](#) [10064555-172520HLF](#) [AYF212335A](#) [504754-2500](#)