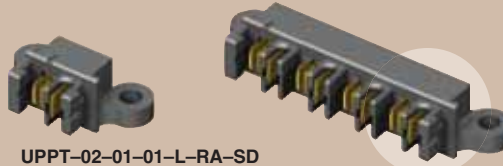


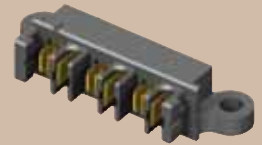


(3,81 mm) .150"

UPPT-08-01-01-L-RA-SD



UPPT-02-01-01-L-RA-SD



UPPT-06-01-01-L-RA-SD

UPPT SERIES

HERMAPHRODITIC 20 A POWER SYSTEM

SPECIFICATIONS

For complete specifications see www.samtec.com?UPPT

Insulator Material:

Black LCP

Terminal Material:

Copper Alloy

Plating:

Sn or Au over 50µ" (1,27 µm) Ni

Operating Temp Range:

-55° to +105°C with Tin;

-55° to +125°C with Gold

Voltage Rating:

425 VAC/600 VDC

RoHS Compliant:

Yes

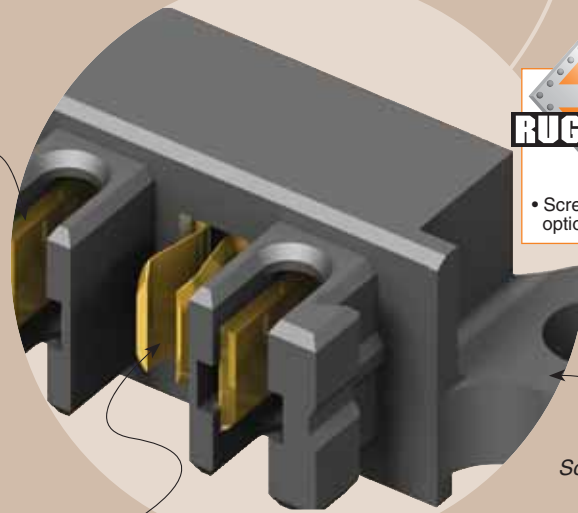
Lead-Free Solderable:

Yes

Mates with:
UPPT

UPPT/UPPT	
PINS	CURRENT RATING (PER CONTACT)
1	21.4 A
2	19.8 A
3	17.1 A
4	16.9 A
ALL	14.1 A

Dual leaf contacts



Screw Down

Dual blade post

RECOGNITIONS

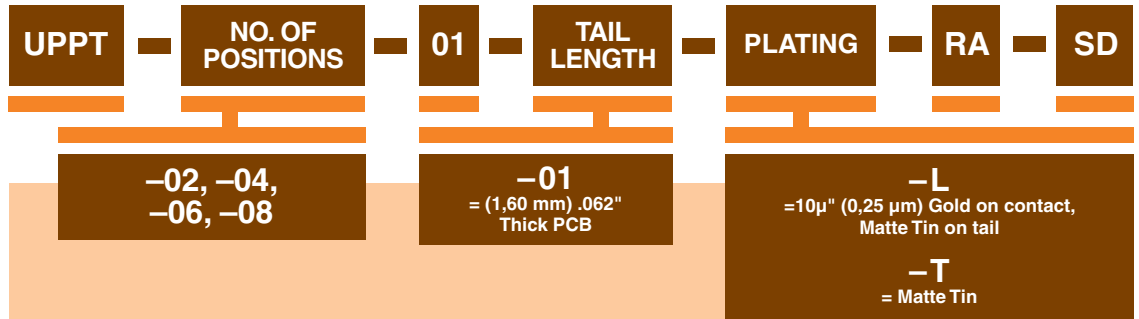
For complete scope of recognitions see www.samtec.com/quality



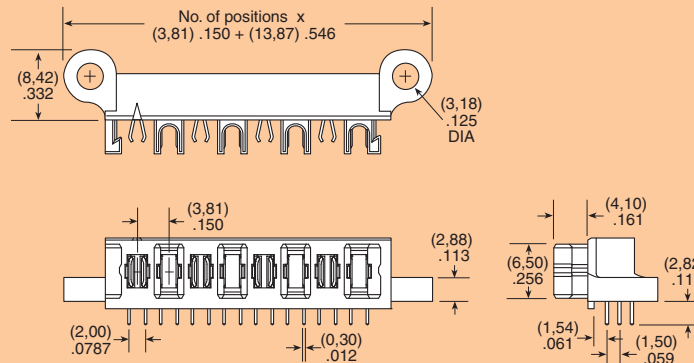
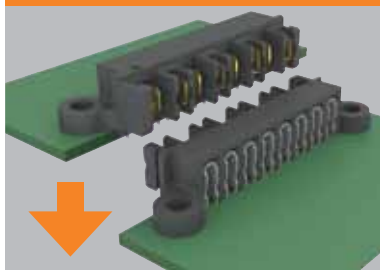
FILE NO. E111594

ALSO AVAILABLE (MOQ Required)

- Solder Leads for (2,36 mm) .093" thick board
- Locking Clip (Manual placement required)
- Tape & Reel Packaging Contact Samtec.



APPLICATION



Note: Some sizes, styles and options are non-standard, non-returnable.

Due to technical progress, all designs, specifications and components are subject to change without notice.

WWW.SAMTEC.COM

X-ON Electronics

Largest Supplier of Electrical and Electronic Components

Click to view similar products for [FFC & FPC Connectors](#) category:

Click to view products by [Samtec](#) manufacturer:

Other Similar products are found below :

[HFW11R-1STE1H1LF](#) [FH29B-100S-0.2SHW\(99\)](#) [FA5S008HP1](#) [FH29B-120S-0.2SHW\(99\)](#) [FH29B-80S-0.2SHW\(99\)](#) [FHS-16](#) [FPH-2022G](#)
[52610-1075](#) [52610-1275](#) [52610-1934](#) [XF3M\(1\)-1415-1B-R100](#) [501864-3091-TR225](#) [0525594033](#) [086210010340800](#) [086222026001800](#)
[52271-2869-CUT-TAPE](#) [62674-201121DLF](#) [62684-36210E9ALF](#) [52610-1675](#) [52746-1671-TR250](#) [10051922-2810EHLF](#) [6-520415-9](#)
[BD021-09A-A1-0350-0200-0550-LD](#) [SFV6R-1STE9HLF](#) [XF3M-2915-1B-R100](#) [1658549-1](#) [62674-221121ALF](#) [46214008010800](#)
[046298003000883](#) [151660622](#) [842-816-2630-035](#) [AYF530665TA](#) [AYF351525](#) [046296011930846+](#) [AYF352325A](#) [046254020000800+](#)
[FH19C-13S-0.5SH\(99\)](#) [FH39J-51S-0.3SHW\(99\)](#) [AYF355125A](#) [AYF530365TA](#) [FH29B-44S-0.2SHW\(99\)](#) [SFW5R-2STAE9LF](#) [AYF351125A](#)
[AYF350725A](#) [62684-502100AHLF](#) [FH39-61S-0.3SHW\(99\)](#) [AYF414035A](#) [10064555-172520HLF](#) [AYF212335A](#) [504754-2500](#)