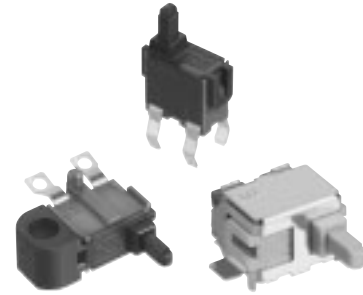


5N Detector Switches

Type: **ESE11**



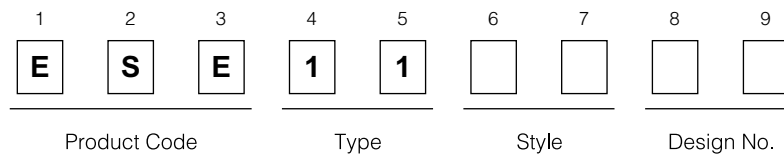
■ Features

- Wide range of customizable features including operational directions
- Light operating force
- Wide available range for reflow soldering

■ Recommended Applications

- Detection of media in portable electronic equipment

■ Explanation of Part Numbers



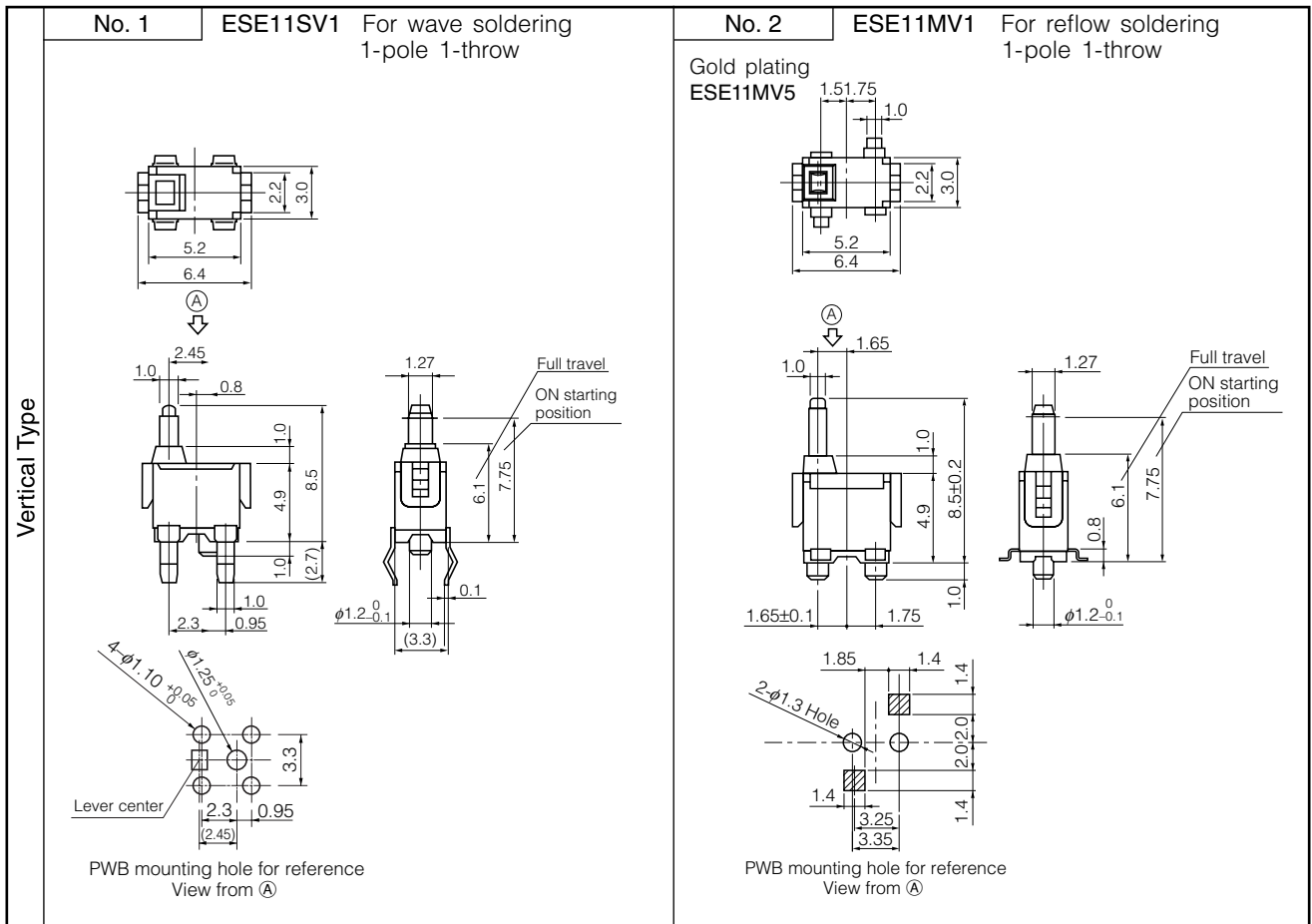
■ Specifications

Rating	50 μ A 3 Vdc to 10 mA 5 Vdc (Resistive load)
Contact Resistance	500 m Ω max. (Initial)
Insulation Resistance	100 M Ω min. (100 Vdc)
Dielectric Withstanding Voltage	100 Vac for 1 minute
Operating Force	350 mN max. (Full Travel)
Mounting Height	<ul style="list-style-type: none"> · Type SV 4.9 mm · Type MV 4.9 mm (MV2, 7 : 5.4 mm) · Type SH 5.25 mm · Type MH 4.25 mm · Type HS, SF 3.6 mm
Poles and Throws	1-pole 1-throw
Full Travel (Pushing distance)	<ul style="list-style-type: none"> · Type SV 6.1 mm (2.4 mm) · Type MV 6.1 mm (2.4 mm) · Type SH 3.0 mm (2.4 mm) · Type MH 1.7 mm (2.4 mm) · Type HS, SF 6.3 mm (2.4 mm)
Operating Life	50000 cycles min.
Temperature Range	-10 $^{\circ}$ C to +70 $^{\circ}$ C
Heat Resistance	+80 $^{\circ}$ C for 96 hours
Low Temperature Resistance	-25 $^{\circ}$ C for 96 hours
Humidity Resistance	+40 $^{\circ}$ C 90 % to 95 % RH for 96 hours

Design and specifications are each subject to change without notice. Ask factory for the current technical specifications before purchase and/or use. Should a safety concern arise regarding this product, please be sure to contact us immediately.

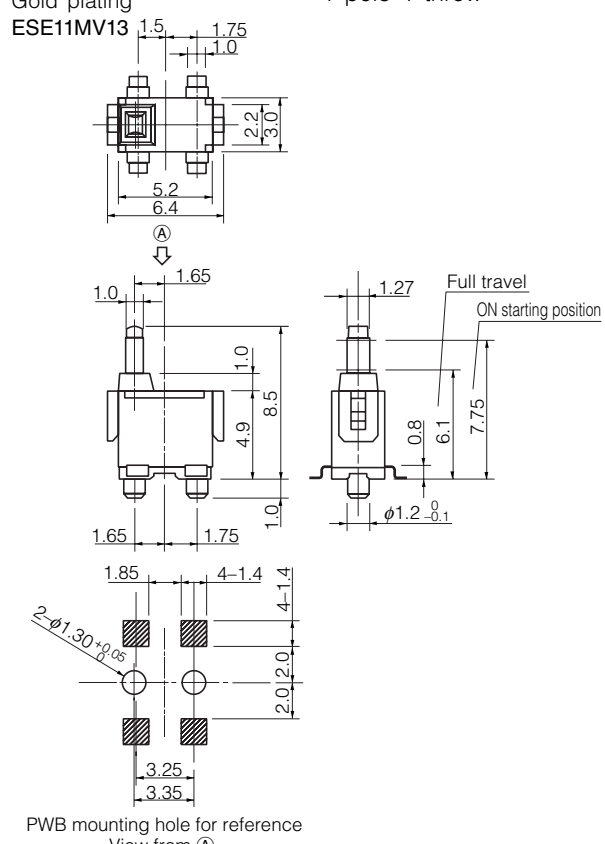
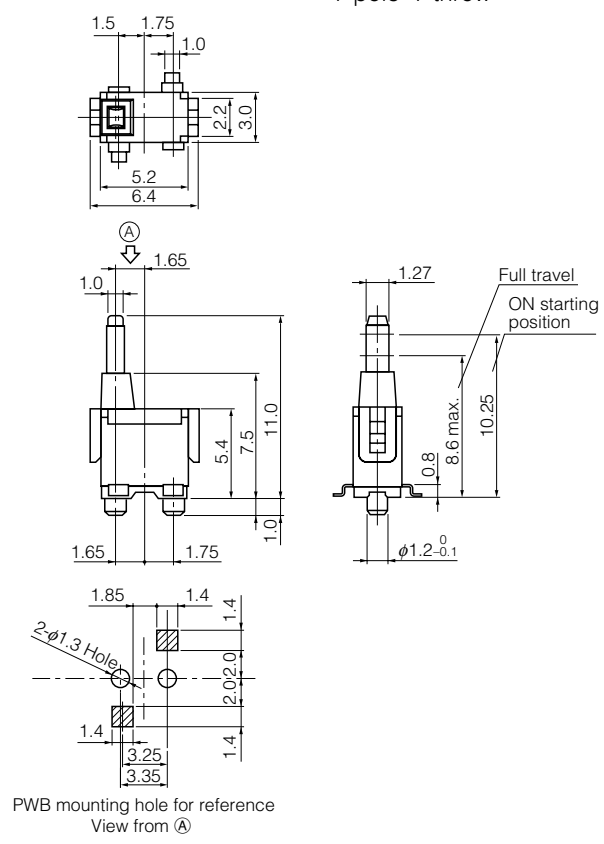
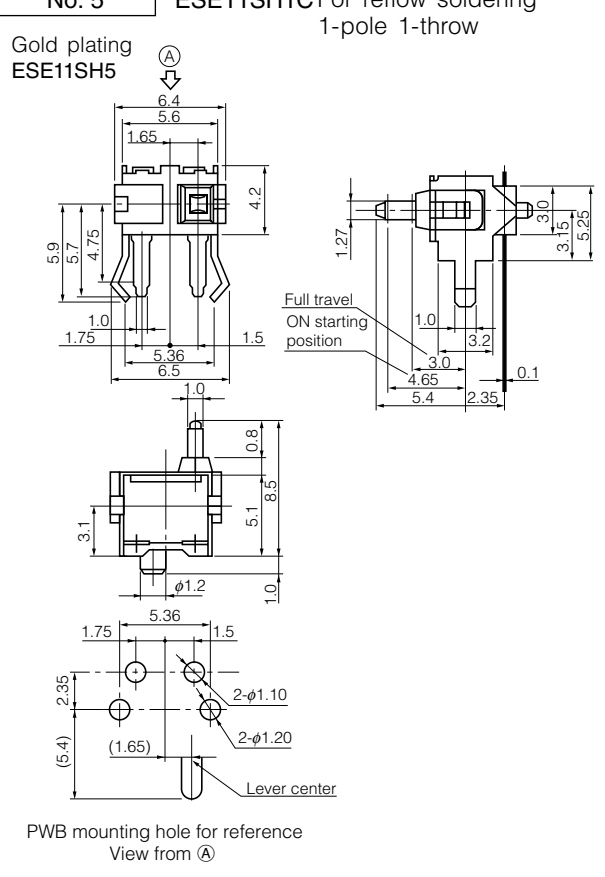
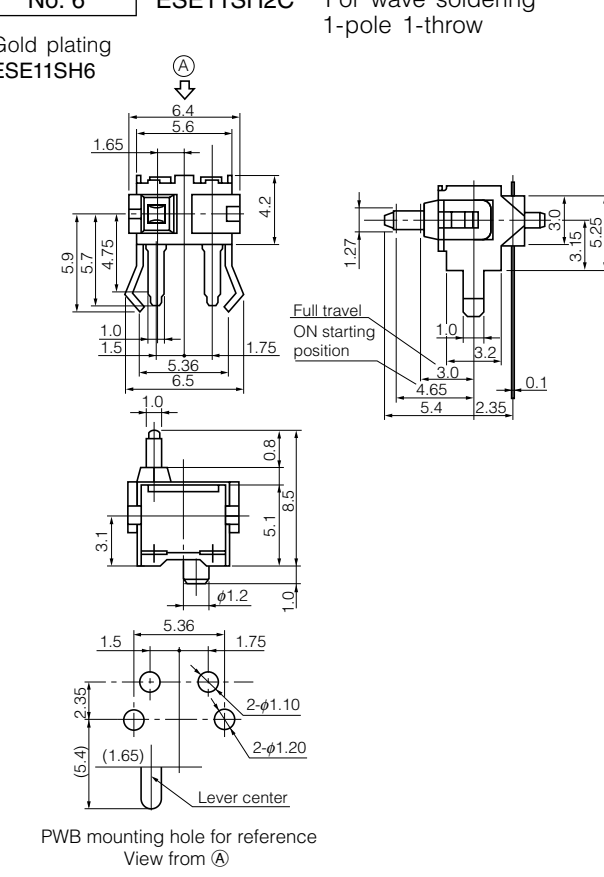
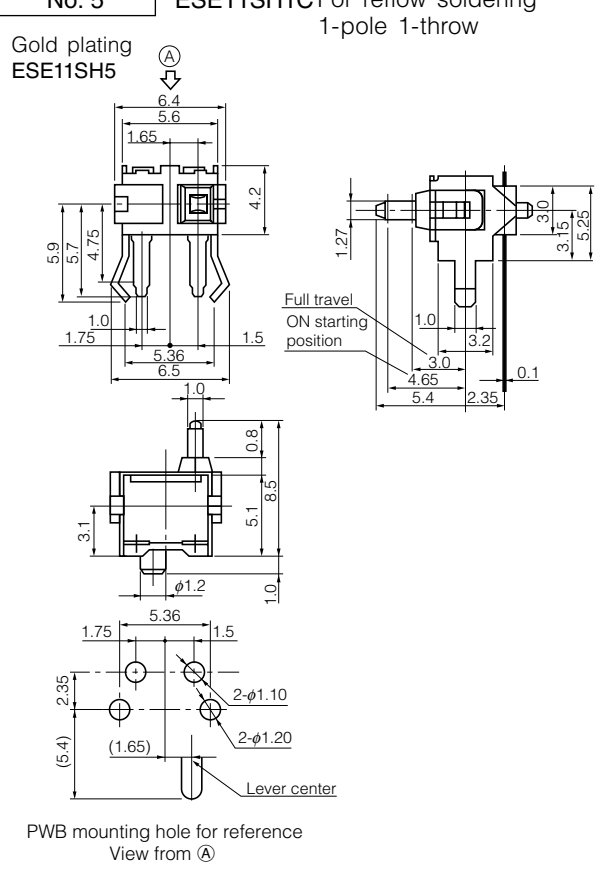
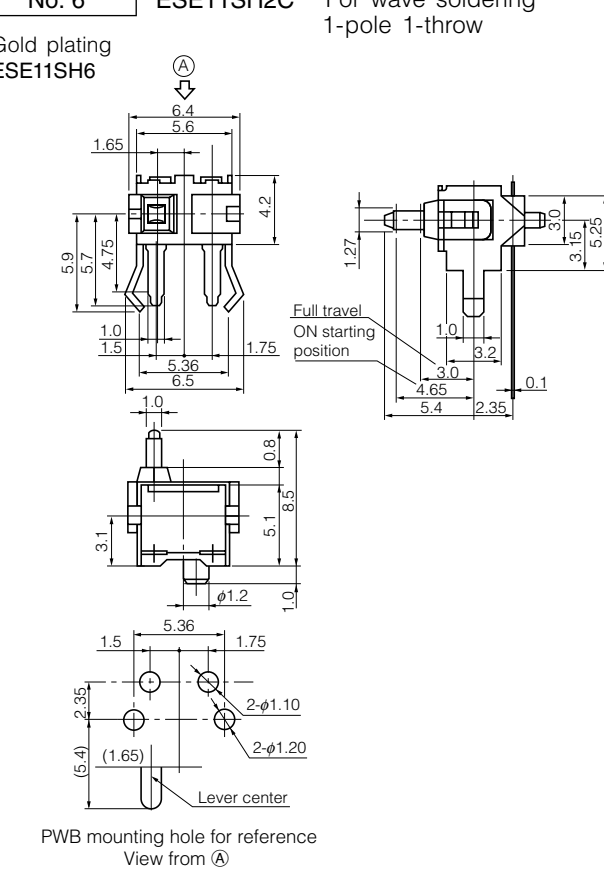
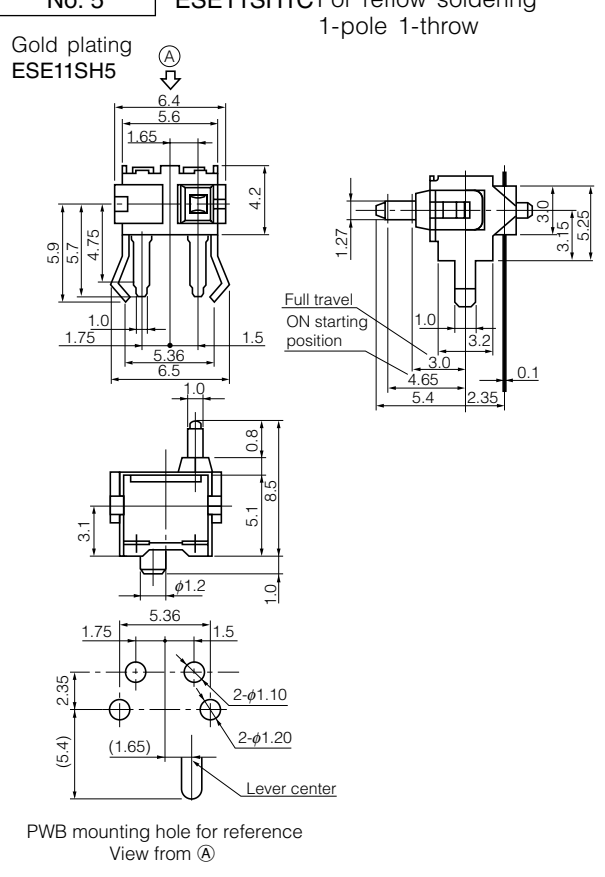
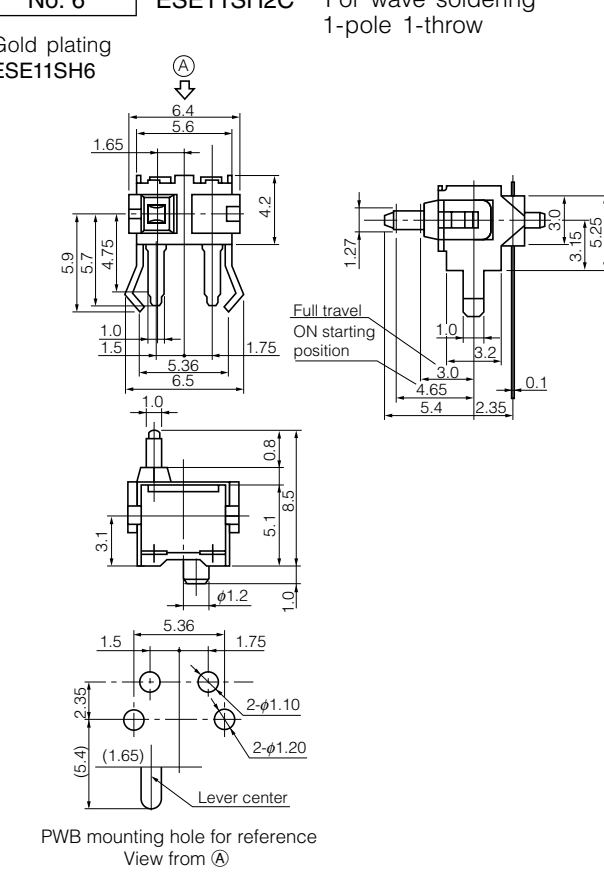
Minimum Quantity/Packing Unit	ESE11SV□ ESE11MV□ ESE11SH□ ESE11MH□ ESE11HS□ ESE11SF□	200 pcs. Polyethylene Bag (Bulk)
	ESE11MV□T (Excluding : ESE11MV2)	800 pcs. Embossed Taping (Reel Pack)
	ESE11MH□T	1500 pcs. Embossed Taping (Reel Pack)
Quantity/ Carton	ESE11SV□ ESE11MV□ ESE11SH□ ESE11MH□ ESE11HS□ ESE11SF□	10000 pcs. Polyethylene Bag (Bulk)
	ESE11MV2	8000 pcs. Polyethylene Bag (Bulk)
	ESE11MV□T (Excluding : ESE11MV2)	4800 pcs. Embossed Taping (Reel Pack)
	ESE11MH□T	9000 pcs. Embossed Taping (Reel Pack)

■ Dimensions in mm (not to scale)



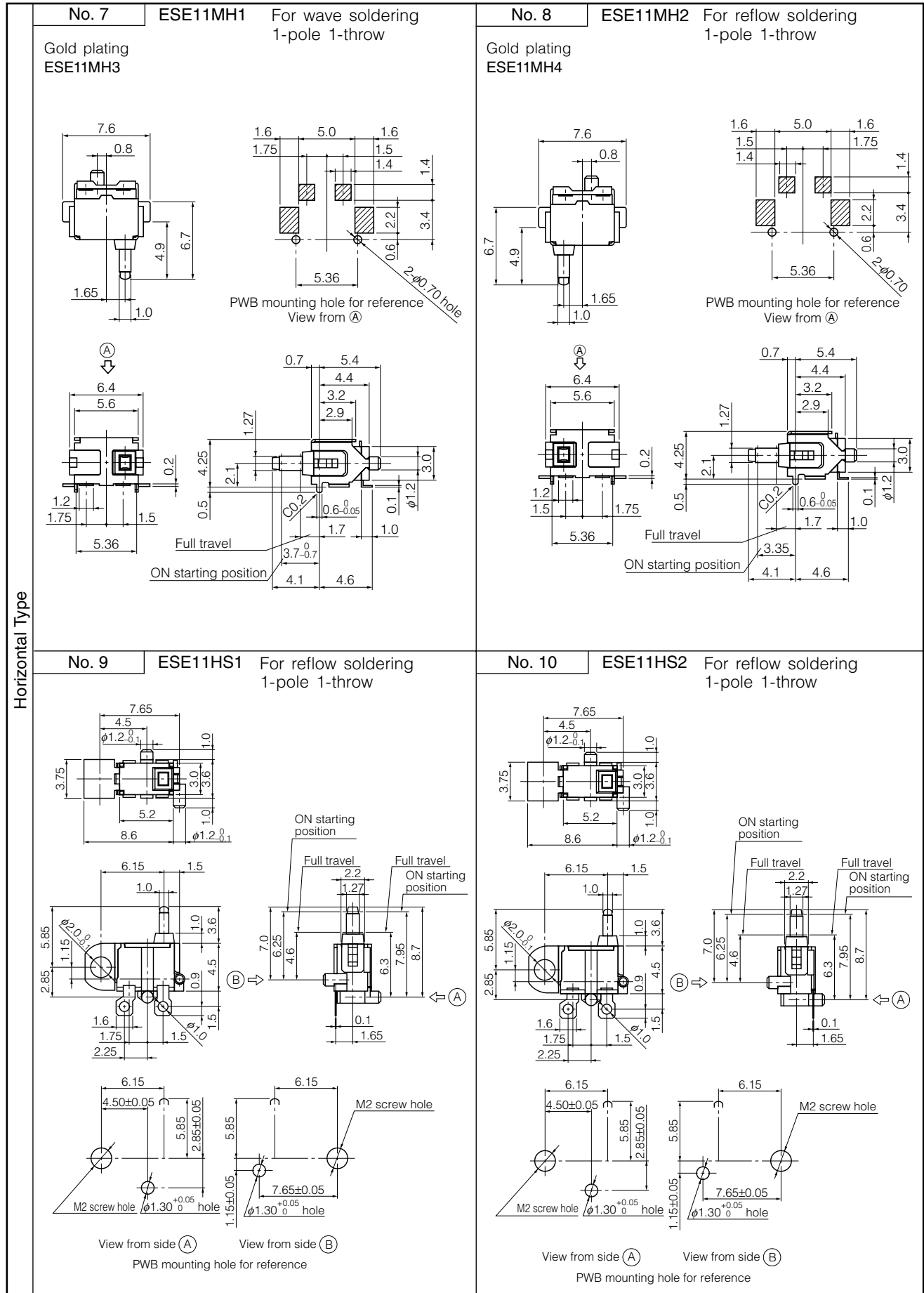
Design and specifications are each subject to change without notice. Ask factory for the current technical specifications before purchase and/or use. Should a safety concern arise regarding this product, please be sure to contact us immediately.

■ Dimensions in mm (not to scale)

Vertical Type	<p>No. 3 ESE11MV9 For reflow soldering 1-pole 1-throw</p> <p>Gold plating ESE11MV13</p>  <p>PWB mounting hole for reference View from (A)</p>	<p>No. 4 ESE11MV2 For reflow soldering 1-pole 1-throw</p>  <p>PWB mounting hole for reference View from (A)</p>
	<p>No. 5 ESE11SH1C For reflow soldering 1-pole 1-throw</p> <p>Gold plating ESE11SH5</p>  <p>PWB mounting hole for reference View from (A)</p>	<p>No. 6 ESE11SH2C For wave soldering 1-pole 1-throw</p> <p>Gold plating ESE11SH6</p>  <p>PWB mounting hole for reference View from (A)</p>
Horizontal Type	<p>No. 5 ESE11SH1C For reflow soldering 1-pole 1-throw</p> <p>Gold plating ESE11SH5</p>  <p>PWB mounting hole for reference View from (A)</p>	<p>No. 6 ESE11SH2C For wave soldering 1-pole 1-throw</p> <p>Gold plating ESE11SH6</p>  <p>PWB mounting hole for reference View from (A)</p>
	<p>No. 5 ESE11SH1C For reflow soldering 1-pole 1-throw</p> <p>Gold plating ESE11SH5</p>  <p>PWB mounting hole for reference View from (A)</p>	<p>No. 6 ESE11SH2C For wave soldering 1-pole 1-throw</p> <p>Gold plating ESE11SH6</p>  <p>PWB mounting hole for reference View from (A)</p>

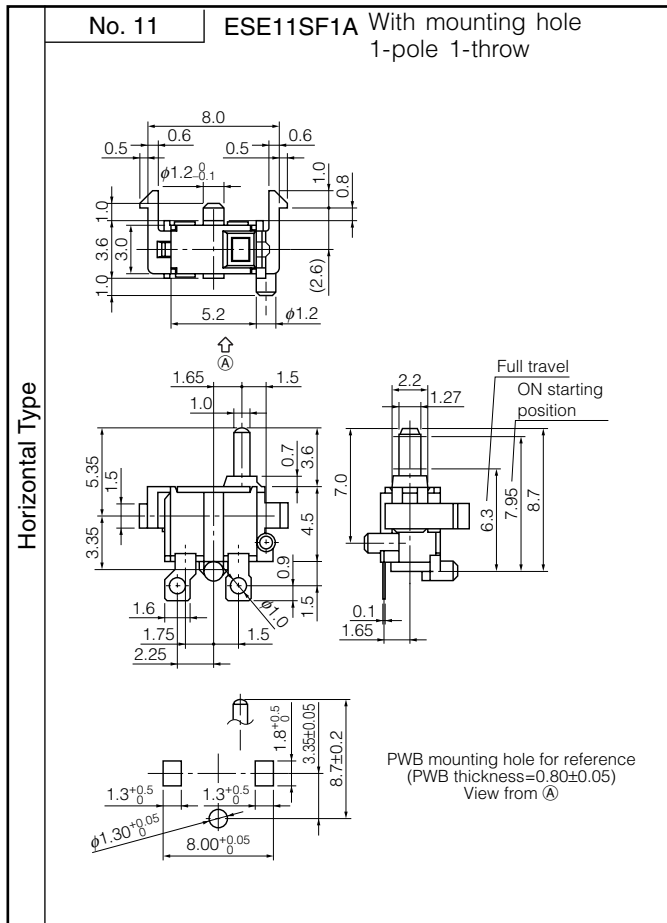
Design and specifications are each subject to change without notice. Ask factory for the current technical specifications before purchase and/or use. Should a safety concern arise regarding this product, please be sure to contact us immediately.

■ Dimensions in mm (not to scale)

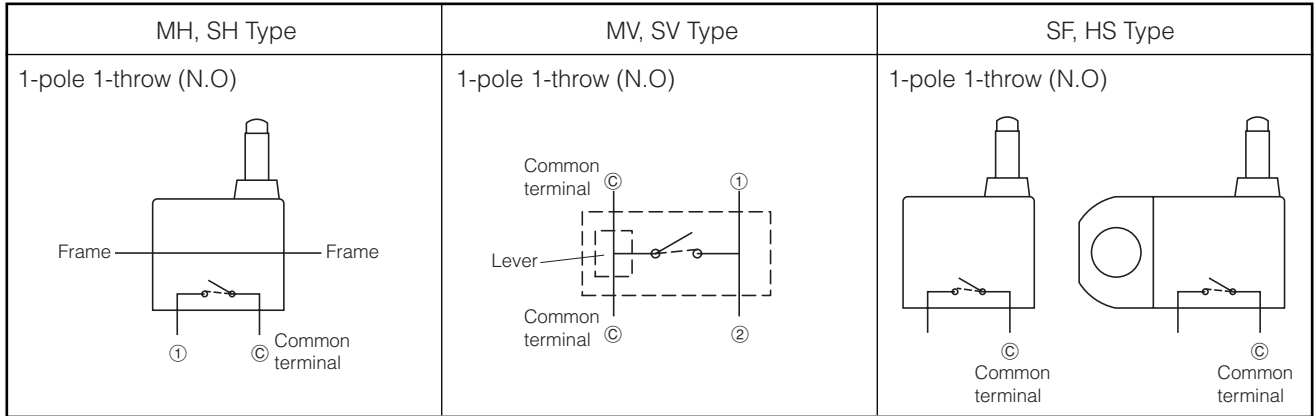


Design and specifications are each subject to change without notice. Ask factory for the current technical specifications before purchase and/or use. Should a safety concern arise regarding this product, please be sure to contact us immediately.

■ Dimensions in mm (not to scale)

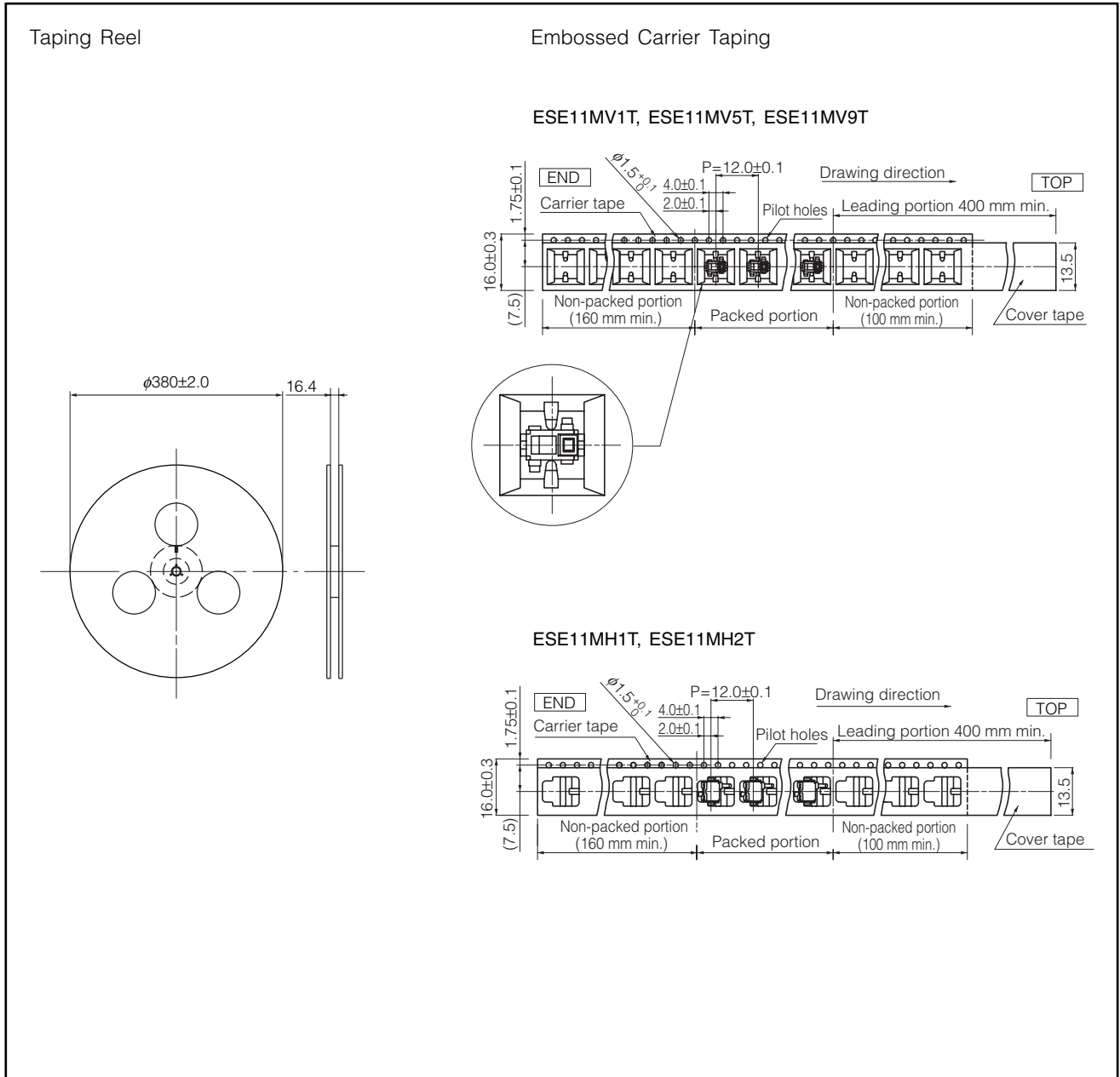


■ Circuit Diagram



■ Packaging Specifications

Standard Reel Dimensions in mm (not to scale)



Design and specifications are each subject to change without notice. Ask factory for the current technical specifications before purchase and/or use. Should a safety concern arise regarding this product, please be sure to contact us immediately.

X-ON Electronics

Largest Supplier of Electrical and Electronic Components

Click to view similar products for [Detector Switches](#) category:

Click to view products by [Panasonic](#) manufacturer:

Other Similar products are found below :

[E3S-LS5C4S](#) [ESE-11MH2](#) [21075-6](#) [K2CU-F20A-EGS](#) [ESE-24CMV6T](#) [K2CU-F20A-F AC220](#) [SPVQ850500](#) [D3DM0001E](#) [D3C 1003E](#)
[D3DM0003A](#) [ESE-11MH3](#) [ESE-11MH5T](#) [ESE-13H05A](#) [ESE-13V05B](#) [ESE-13V05C](#) [ESE-13V05D](#) [ESE-18L13A](#) [ESE-18L63A](#) [ESE-](#)
[18LF01](#) [ESE-18RF01](#) [ESE-18RJ01](#) [ESE-20C321](#) [ESE-20C323](#) [ESE-20C443](#) [ESE-20D421](#) [ESE-20D441](#) [ESE-23F001](#) [ESE-23F005](#) [ESE-](#)
[23J001](#) [ESE-23J005](#) [ESE-23J105](#) [ESE-24CSH1](#) [ESE-24CSH6](#) [ESE-24CSV3](#) [ESE-24MV6T](#) [ESE-24SH6](#) [ESE-31R11T](#) [ESE-23F101](#) [ESE-](#)
[20D321](#) [ESE-20C421](#) [ESE-18RJ02](#) [ESE-13V01D](#) [ESE-13V01C](#) [ESE-13H01B](#) [ESE-11MH1T](#) [ESE-11MH2T](#) [ESE-11MV1](#) [ESE-31L11T](#)
[D7A1](#) [D7A2](#)