

# Edwards® 315A-AH Heavy Duty Outdoor Motor Driven Industrial Siren



**Cat. No. 315A-AH**

## Features

- Fully enclosed motor
- Weatherproof
- Adjustable siren direction
- AC or DC operation

## Description

Heavy duty, industrial design, motor driven siren that emits a continuous loud piercing wail.

## Agency Approvals

- UL Listed for continuous duty

## Specifications

- 2.5 amp motor
- Heavy gauge aluminum construction

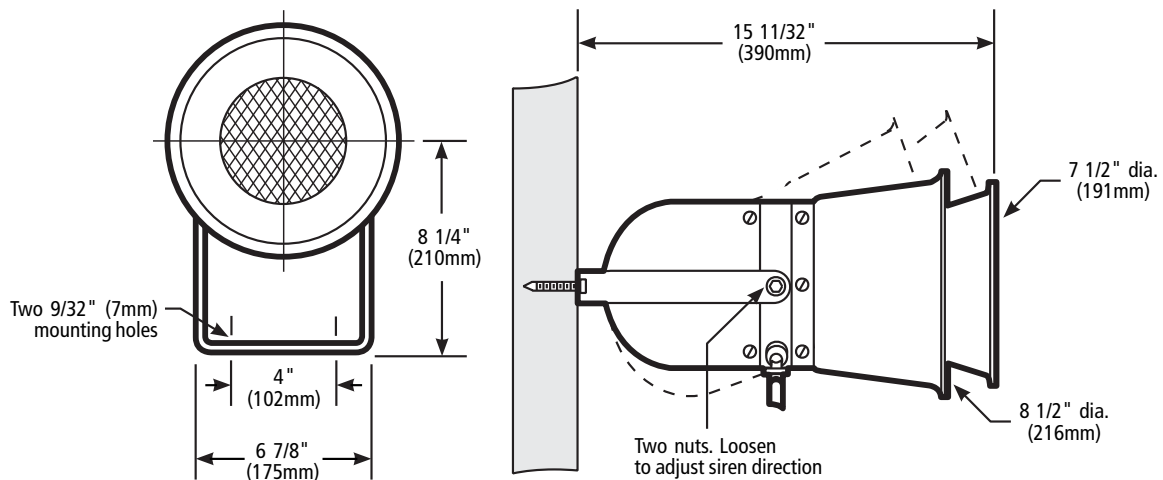
## Installation

Mounts to any solid surface using two bolts. May be swiveled through 180°, vertically or horizontally, depending on orientation of bracket.

## Applications

Used for initial installation and MRO applications in factories, lumber yards, security installations, and score boards.

Cat. No.	Volts	Amps	V A	dB at 10 Ft.
<b>315A-AH</b>	120V AC/DC	2.5	300	110



## **X-ON Electronics**

Largest Supplier of Electrical and Electronic Components

*Click to view similar products for [edwards signaling manufacturer](#):*

Other Similar products are found below :

[105XBRIRBA120A](#) [E102A](#) [874-G5](#) [50LMP-40W](#) [92-ST](#) [125LEDFR120A](#) [115-Y](#) [113LMP-10W](#) [115-6Y-06K](#) [115-7Y-06K](#) [115-6Y-12K](#)  
[1085T-G](#)