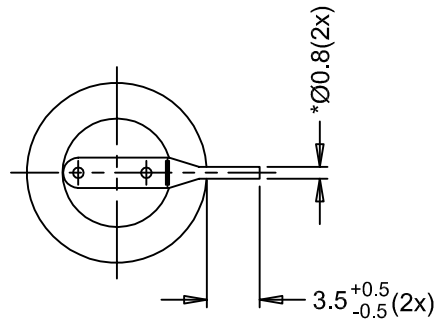
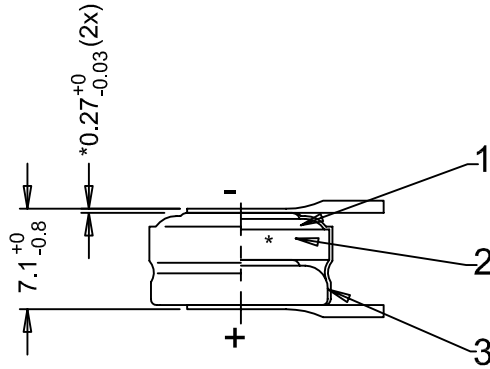
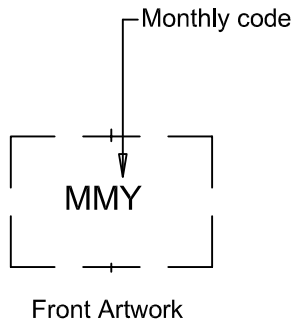
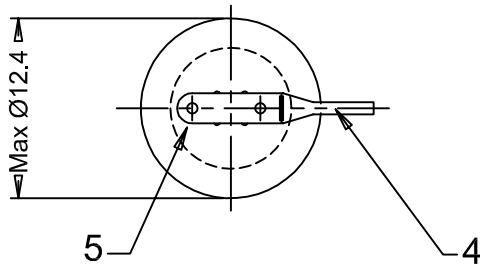


This is a controlled document.
 Hardcopy to be endorsed by authorised person.
 Check with Issuing Officer or SAP system for latest update.



Note: 1) Special care to be taken ie: NOT to mix the polarities
 2) * Dimension for reference only

Approx. wt: 3 g

1	12-R018	Change date code format from Q3 (QQY) to M3 (MMY)	2012-01-20	TitisWS	
No	AO No	Revisions	1	Date	Name

Projection:		Material: Refer to part list no: 071158		Description: 2/V15H SK S TP with sleeve & terminal pin	
Dimensions in mm		Prepared & Checked	Verified & Approved	Dwg. No: 071158	4 0 1
Tolerance: As specified		1998-03-13	TitisWS	VKB Order No: 55602 302 012	
Scale: 2 : 1					

Rights reserved to make technical changes, as a result of further development, without notice. This drawing is the property of VARTA Microbattery and must not be copied or disclosed to a third party without the written consent of VARTA Microbattery.



X-ON Electronics

Largest Supplier of Electrical and Electronic Components

Click to view similar products for [varta](#) manufacturer:

Other Similar products are found below :

[56456 702 099](#) [18750](#) [4114 210 501](#) [4610 726 406](#) [4122 210 511](#) [LCD-CHARGER + 4XAA 2400MAH](#) [449915B](#) [4607 726 406](#)
[55171403014](#) [55625603059](#) [55615602940](#) [4112101411](#) [4 022 211 111](#) [4 106 101 436](#) [4 020 211 111](#) [MINI CHARGER + 2XAA 2100MAH](#)
[MINI-CHARGER](#) [17730](#) [LCD-SMART-CHARGER](#) [414086X](#) [POCKET-CHARGER + 4XAA 2100MAH](#) [458980A](#) [LCD MULTI](#)
[CHARGER](#) [CG511-150-PB](#) [EE UNIVERSAL CHARGER](#) [CG401D-050-PB](#) [CG511-050-PB](#) [CU303-018-PB](#) [CG381D-G-100-PB](#) [413675G](#)
[CU202-030-PB](#) [55615603059](#) [CG381D-G-150-PB](#) [CG481G-050-PB](#) [CU303-030-PB](#) [CG511D-030-PB](#) [CA317-PB](#) [CG511D-100-PB](#)
[CU201G-B-030-PB](#) [095668F](#) [4600 726 406](#) [CG511-030-PB](#) [CA418-PB](#) [CG481G-030-PB](#) [CG511D-150-PB](#) [CG381D-G-050-PB](#) [CU302-](#)
[030-PB](#) [CG341-030-PB](#) [CU201G-B-050-PB](#) [CA089-PB](#)