



# Sav-Con<sup>®</sup> connector savers

## MIL-DTL-38999 Series II

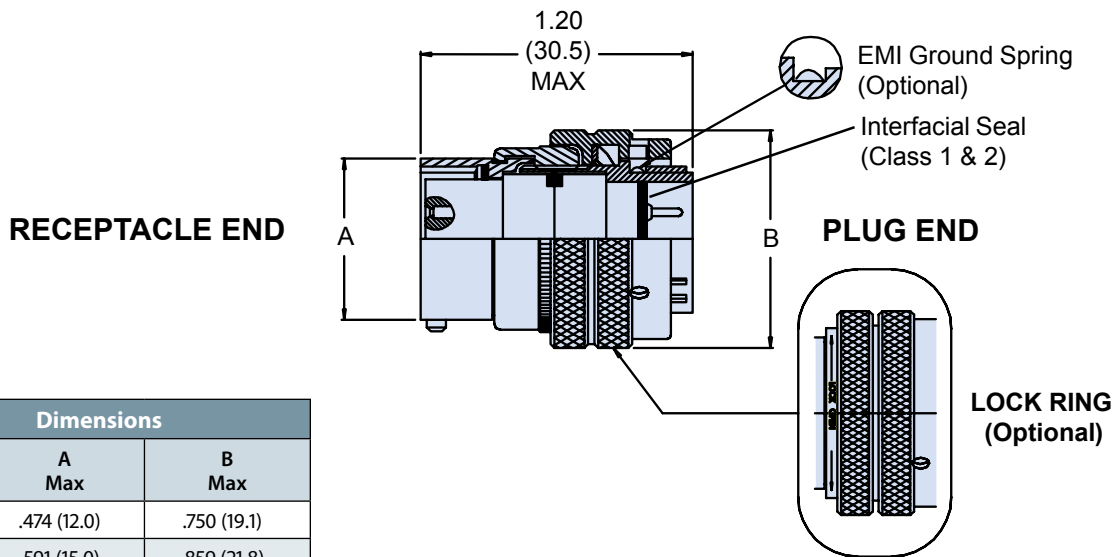
### 940-004, 941-004 and 942-004 Bayonet Coupling



#### 940-004 GENERAL DUTY, 941-004 ENVIRONMENTAL AND 942-004 HIGH RELIABILITY

How To Order	
<b>Sample Part Number</b>	<b>94 0 L 004 M 16 G 35 P A 131</b>
<b>Series</b>	<b>94</b>
<b>Class</b>	0 = General Duty 1 = Environmental 2 = High Reliability
<b>Lock Ring (optional)</b>	L = Lock Ring    - (dash) = Standard
<b>Basic Number</b>	<b>004</b>
<b>Finish</b>	See Table I
<b>Shell Size</b>	<b>8, 10, 12, 14, 16, 18, 20, 22, 24</b>
<b>EMI Ground</b>	G = EMI Ground Spring (optional)    - = Standard
<b>Insert Arrangement</b>	See Table II
<b>Contact Type</b>	P = Pins, Plug Side    S = Sockets, Plug Side
<b>Alternate Key Position</b>	A, B, C, D, Omit for Normal; See Table III
<b>Mod Code*</b>	131 = Dry Lube, Omit for None

\*Add Modification Code 131 for Dry Lubricant on inside surfaces of the Coupling Nut. May not be suitable for space applications.



Dimensions		
Shell Size	A Max	B Max
08	.474 (12.0)	.750 (19.1)
10	.591 (15.0)	.859 (21.8)
12	.751 (19.1)	1.031 (26.2)
14	.875 (22.2)	1.156 (29.4)
16	1.001 (25.4)	1.281 (32.5)
18	1.126 (28.6)	1.391 (35.3)
20	1.251 (31.8)	1.531 (38.9)
22	1.376 (35.0)	1.656 (42.1)
24	1.501 (38.1)	1.777 (45.1)

INTERMATEABLE WITH THE FOLLOWING CONNECTORS:
40M38277
PAN 6433-1
NFC C93-422 (HE309)



# Sav-Con® connector savers

## MIL-DTL-38999 Series II

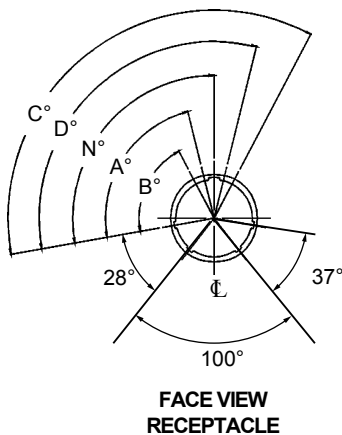
### Reference Information



Plating Code	Material	Finish	
M	Aluminum	Electroless Nickel	
B		Cad Plate, Olive Drab	
NF		Cadmium Plate Olive Drab over Electroless Nickel	
NC		Zinc-Cobalt	
ZN		Olive Drab Zinc-Nickel	
MT		Ni-PTFE 1000 Hour Grey™ (Nickel Fluorocarbon Polymer)	
ZR		Zinc Nickel, Black	
ME		Electroless Nickel (RoHS)	
ZL		Stainless Steel	Electro-Deposited Nickel

Shell Size Desig.	Insert Arr. Dash No.	Contact Size and Quantity			
		22	20	16	12
8	8-3		3		
	8-35	6			
	8-97	2	2		
	8-98		3		
10	10-5		5		
	10-35	13			
	10-98		6		
	10-99		7		
12	12-3			3	
	12-4			4	
	12-8		8		
	12-35	22			
	12-98		10		
14	14-5			5	
	14-15		14	1	
	14-18		18		
	14-19		19		
	14-35	37			
	14-97		8	4	
16	16-6				6
	16-8			8	
	16-26		26		
	16-42	42			
	16-35	55			
	16-99		21	2	

Shell Size Desig.	Insert Arr. Dash No.	Contact Size and Quantity			
		22	20	16	12
18	18-11			11	
	18-28		26	2	
	18-30		29	1	
	18-32		32		
	18-35	66			
	18-45	67			
	18-96				9
20	20-16			16	
	20-24		24		
	20-25		25		
	20-35	79			
	20-39		37	2	
	20-41		41		
22	22-21			21	
	22-32		32		
	22-34		34		
	22-35	100			
	22-36		36		
	22-53		53		
	22-55		55		
	22-97			16	
	22-99			11	
24	24-4		48	8	
	24-19				19
	24-24			12	12
	24-29			29	
	24-35	128			
	25-61		61		



NOTE: MASTER KEY AND KEYWAY HAS VARIOUS POSITIONS WHILE MINOR KEYS AND KEYWAYS REMAIN FIXED

Shell Size	N°	A°	B°	C°	D°
8	100	82	-	-	118
10	100	86	72	128	114
12	100	80	68	132	120
14	100	79	66	134	121
16	100	82	70	130	118
18	100	82	70	130	118
20	100	82	70	130	118
22	100	85	74	126	115
24	100	85	74	125	115

Class	Pi - Circuit (pF)	C - Circuit (pF)
X*	160,000 - 240,000	80,000 - 120,000
Y*	80,000 - 120,000	40,000 - 60,000
Z*	60,000 - 90,000	30,000 - 45,000
A	38,000 - 56,000	19,000 - 28,000
B	32,000 - 45,000	16,000 - 22,500
C	18,000 - 33,000	9,000 - 16,500
D	8,000 - 12,000	4,000 - 6,000
E	3,300 - 5,000	1,650 - 2,500
F	800 - 1,300	400 - 650
G	400 - 600	200 - 300
J	70-120	35-60

\* Filter Classes X, Y and Z are 250 VDC. All others are 500 VDC



## X-ON Electronics

Largest Supplier of Electrical and Electronic Components

*Click to view similar products for [Circular MIL Spec Connector](#) category:*

*Click to view products by [Glenair](#) manufacturer:*

Other Similar products are found below :

[89075GULPR](#) [0025-262-542](#) [0025-264-3014](#) [58-570121-04S](#) [0134-213-1208](#) [0134-213-2209](#) [0025-258-000](#) [60-042022-07P](#) [60-042022-19P](#)  
[60-042022-23P](#) [60-042217-10P](#) [0114-201-1278](#) [012-0467-000](#) [602GB06EG24-61SN](#) [0134-201-1207](#) [0134-213-1006](#) [6104-207-2302](#) [6104-](#)  
[208-1902](#) [61-168211-04P](#) [61-168617-10P](#) [6131-202-19149P](#) [6131-204-21149P](#) [6131-208-13149P](#) [6131-209-17149P](#) [6131-210-11149P](#) [6131-](#)  
[211-19149P](#) [6131-216-19149P](#) [6131-259-21149P](#) [6131-259-23149P](#) [6131-265-17149P](#) [6131-265-19149P](#) [CS3100A18-1P-472](#) [CS3100A-36-](#)  
[77P](#) [CS3101A-16-55P](#) [CS3102A-10SL-55P](#) [CS3102A-14S-58P](#) [CS3102A-32-17P](#) [CS3102A32-25S](#) [CS3102C18-4P-472](#)  
[CS3106A10SL3S004](#) [CS3106A-18-73S](#) [CS3108A-14S-52S](#) [CS3108A-28-51S](#) [6162-233-1277](#) [6162-324-1231](#) [M243082296Z](#)  
[M2884010AC1S1](#) [CT0-24-10SC](#) [CT0M20-7PCAU](#) [M28840/17AC1G3](#)