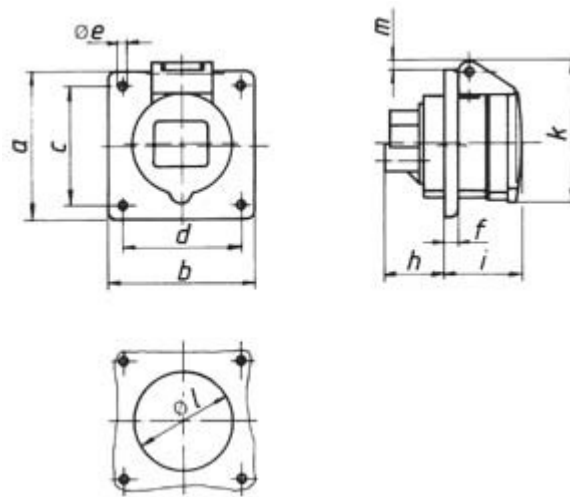


## Blue Straight Panel Mounting Socket 2P+E (6H) IP44 16A 240V



### Dimensions

All dimensions in mm.



a	b	c	d
62	62	47	47
e	f	h	i
5.5	7	17	51
k	l	m	Conductor mm <sup>2</sup> min
70	45	10	1.5
Conductor mm <sup>2</sup> max			
4			

## **X-ON Electronics**

Largest Supplier of Electrical and Electronic Components

*Click to view similar products for [ceenorm](#) manufacturer:*

Other Similar products are found below :

[11949](#) [112001](#) [3126](#) [2125](#) [3138](#) [21013-TLS](#) [13668](#) [21001-TLS](#) [31001-TLS](#)