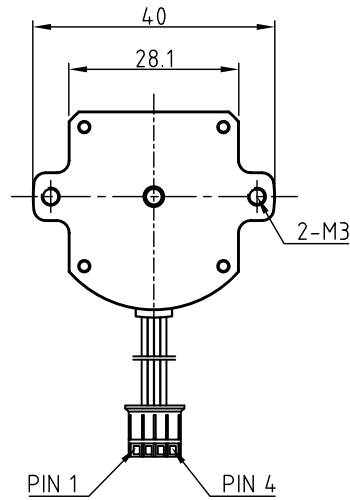
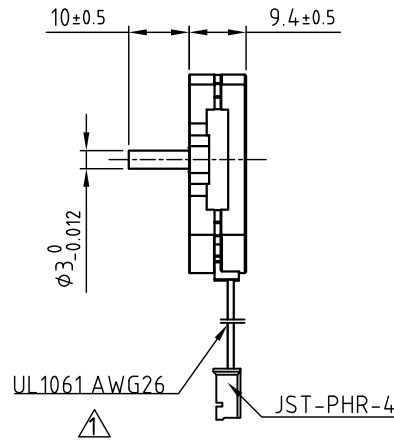


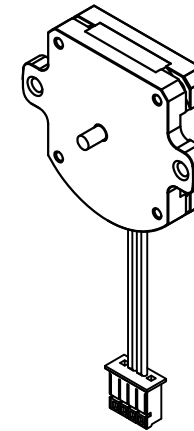
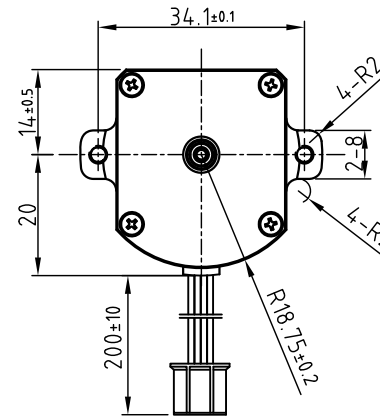
Front view and mounting



Side view

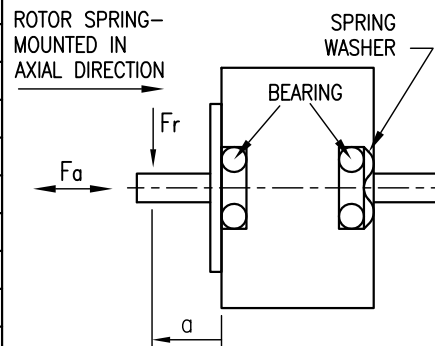


Rear view



SPECIFICATION	CONNECTION	BIPOLAR SERIES
VOLTAGE (VDC)		1.85
AMPS/PHASE		0.5
RESISTANCE/PHASE (Ohms)@20°C		3.7±10%
INDUCTANCE/PHASE (mH) @1KHz		0.88±20%
HOLDING TORQUE (Nm) [lb-in]		9.8x10 ⁻³ [8.68x10 ⁻²]
IP CODE		IP 30
STEP ANGLE (°)		1.8
STEP ACCURACY (NON-ACCUM)		±5%
ROTOR INERTIA (Kg-m ²) [lb-in ²]		1.7x10 ⁻⁷ [5.8x10 ⁻⁴]
WEIGHT (Kg) [lb]		2.8x10 ⁻² [6.1x10 ⁻²]
TEMPERATURE RISE: MAX.80°C (MOTOR STANDSTILL; FOR 2 PHASE ENERGIZED)		
AMBIENT TEMPERATURE -10°~ 50°C [14°F ~ 122°F]		
INSULATION RESISTANCE 100 MOhm (UNDER NORMAL TEMPERATURE AND HUMIDITY)		
INSULATION CLASS B 130° [266°F]		
DIELECTRIC STRENGTH 500 VDC FOR 1 MIN. (BETWEEN THE MOTOR COILS AND THE MOTOR CASE)		
AMBIENT HUMIDITY MAX. 85% (NO CONDENSATION)		

PERMISSIBLE RADIAL+AXIAL FORCE

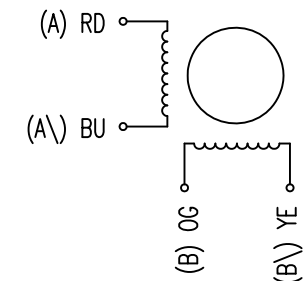


TYPE OF CONNECTION (EXTERN)	MOTOR			
	BIPOLAR	CONNECTOR PIN NO.	LEADS	WINDING
A —	1	RD	A	
A \ —	2	BU	A \	
B —	3	OG	B	
B \ —	4	YE	B \	

FULL STEP 2 PHASE-Ex., WHEN FACING MOUNTING END (X)

STEP	A	B	A \	B \	CCW	CW
1	+	+	-	-	↓	↑
2	-	+	+	-	↓	↑
3	-	-	+	+	↓	↑
4	+	-	-	+	↓	↑

WIRING DIAGRAM



REV	DESCRIPTION	DATE	APVD
1	ADD WIRE SPEC	10.11.14	J.D.
A	TOLERANCE CHANGE	29.1.13	A.S.



STF2818X0504-A

SCALE	APVD	S.H.	DATE
FREE			05.11.12
X ±0.5	CHKD		
1PL ±0.2	DRN	J.W.	05.11.12
2PL ±0.1	SIGNATURE	DATE	
ANGLE ±30°			

STEPPING MOTOR

DWG.NO

STF2818X0504-A

X-ON Electronics

Largest Supplier of Electrical and Electronic Components

Click to view similar products for [nanotec](#) manufacturer:

Other Similar products are found below :

[LSNUT-T6X2-F](#) [STF2818X0504-A](#) [SP2575M0206-A](#) [DB59C024035-A](#) [SP1518M0204-A](#) [ST5918M3008-A](#) [ST6018L3008-A](#) [ZKRS485-USB](#) [SP3575M0906-A](#) [C5-01](#) [ST2818S1006-B](#) [SMCI35](#) [ST4118L1804-A](#)