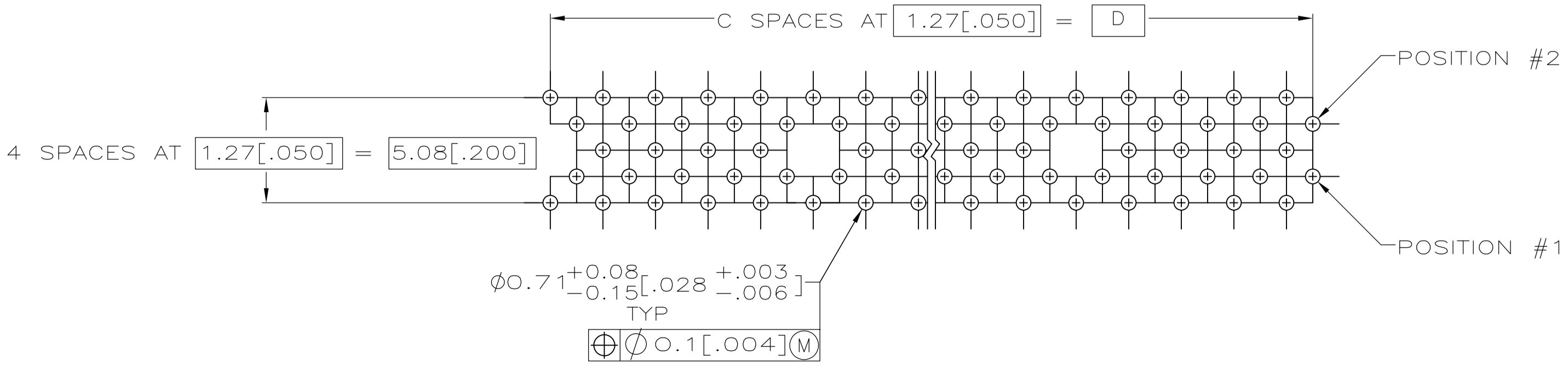
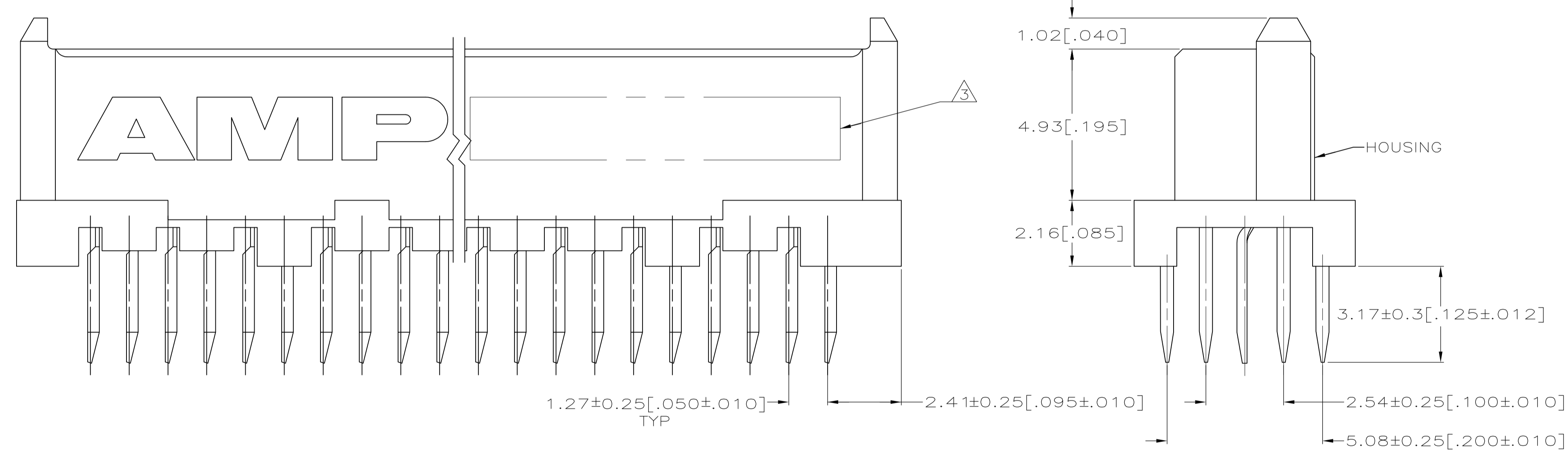


- 1 HOUSING: HIGH TEMPERATURE THERMOPLASTIC, COLOR NATURAL.  
RECEPTACLE CONTACTS: PHOSPHOR BRONZE.  
GROUND BUSES: PHOSPHOR BRONZE.
- 2 CONTACTS & GROUND BUSES: 0.00076(.000030) MIN. GOLD PER ASTM B 488 ON CONTACT AREA,  
0.00254-0.00762(.000100-.000300) MATTE TIN PER ASTM B 545 ON SOLDER TAIL, ALL OVER 0.00127-0.00254(.000050-.000100) MATTE NICKEL PER SAE AMS-QQ-N-290 ON ENTIRE CONTACT.
- 3 DATE CODE MARKED IN AREA INDICATED, ON SAME SIDE AS AMP LOGO.



OBSOLETE	125.73 [4.950]	99	127.94 [5.037]	130.56 [5.140]	200	5536254-9
	113.03 [4.450]	89	115.24 [4.537]	117.86 [4.640]	180	5536254-8
OBSOLETE	100.33 [3.950]	79	102.54 [4.037]	105.16 [4.140]	160	5536254-7
	87.63 [3.450]	69	89.84 [3.537]	92.46 [3.640]	140	5536254-6
	74.93 [2.950]	59	77.14 [3.037]	79.76 [3.140]	120	5536254-5
	62.23 [2.450]	49	64.44 [2.537]	67.06 [2.640]	100	5536254-4
	49.53 [1.950]	39	51.74 [2.037]	54.36 [2.140]	80	5536254-3
	36.83 [1.450]	29	39.01 [1.537]	41.66 [1.640]	60	5536254-2
	24.13 [.950]	19	26.34 [1.037]	28.96 [1.140]	40	5536254-1
	D	C	B	A	NO OF POS	PART NUMBER

THIS DRAWING IS A CONTROLLED DOCUMENT.

DIMENSIONS: INCHES	TOLERANCES UNLESS OTHERWISE SPECIFIED:	0 PLC ± -	1 PLC ± -	2 PLC ± -	3 PLC ± 0.13 [.005]	4 PLC ± -	ANGLES ± -
THIS DRAWING IS A CONTROLLED DOCUMENT. DIB: A. FERNANDEZ 01-20-05 CHK: D. DIXON 01-20-05 APVD: D. DIXON 01-20-05 PRODUCT SPEC: 108-1272 APPLICATION SPEC: 114-11005 WEIGHT: - CUSTOMER DRAWING		Tyco Electronics Corporation Harrisburg, PA 17105-3608 NAME: RECEPTACLE ASSEMBLY, VERTICAL, .125 TAIL, BOARD TO BOARD, MICROSTRIP SIZE: A1 SCALE: 10:1 SHEET: 1 OF 1 REV: 02					

## X-ON Electronics

Largest Supplier of Electrical and Electronic Components

*Click to view similar products for [High Speed/Modular Connectors](#) category:*

*Click to view products by [TE Connectivity](#) manufacturer:*

Other Similar products are found below :

[2332816-1](#) [89006-1137LF](#) [650827-1](#) [65762-001LF](#) [73474-201LF](#) [74040-1346](#) [74075-0267](#) [88911-201LF](#) [9514M0C20D](#) [1410191-1](#)  
[1410337-1](#) [1410368-3](#) [1410964-2](#) [1410326-3](#) [1410367-3](#) [1410971-4](#) [1467833-1](#) [2000877-1](#) [2000878-1](#) [2041314-1](#) [2065387-1](#) [2187307-1](#)  
[2187462-1](#) [2226278-6](#) [KA81-07](#) [91290-101LF](#) [1934290-1](#) [2000875-1](#) [2065917-1](#) [2102736-2](#) [FSR-40](#) [2169868-2](#) [2226279-2](#) [22354-8](#) [437-](#)  
[5040-000](#) [5-1393565-0](#) [532449-3](#) [532803-2](#) [34745-0001](#) [0740618502](#) [0760151403](#) [0760551105](#) [0760551608](#) [0761451128](#) [0761651124](#)  
[0761655108](#) [0761659807](#) [0769853208](#) [0736440217](#) [0758324203](#)