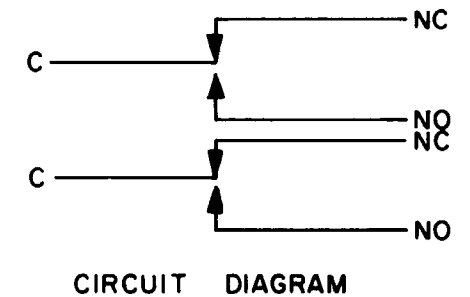


**MICRO SWITCH**  
 FREEPORT, ILLINOIS, U.S.A.  
 A DIVISION OF HONEYWELL  
 FED. MFG. CODE 91929

**SWITCH - ENCLOSED**

CATALOG LISTING  
**602EN142**



602EN142

PAGE 1 OF 1

M

DRAWING NUMBER

ISSUE

5

REPLACES

RELEASE NO. PR-14756

CHECK

86

19 MAY

86

ULL

CHECK

86

86

ULL

CHECK

86

ULL

CHECK

86

ULL

CHECK

86

ULL

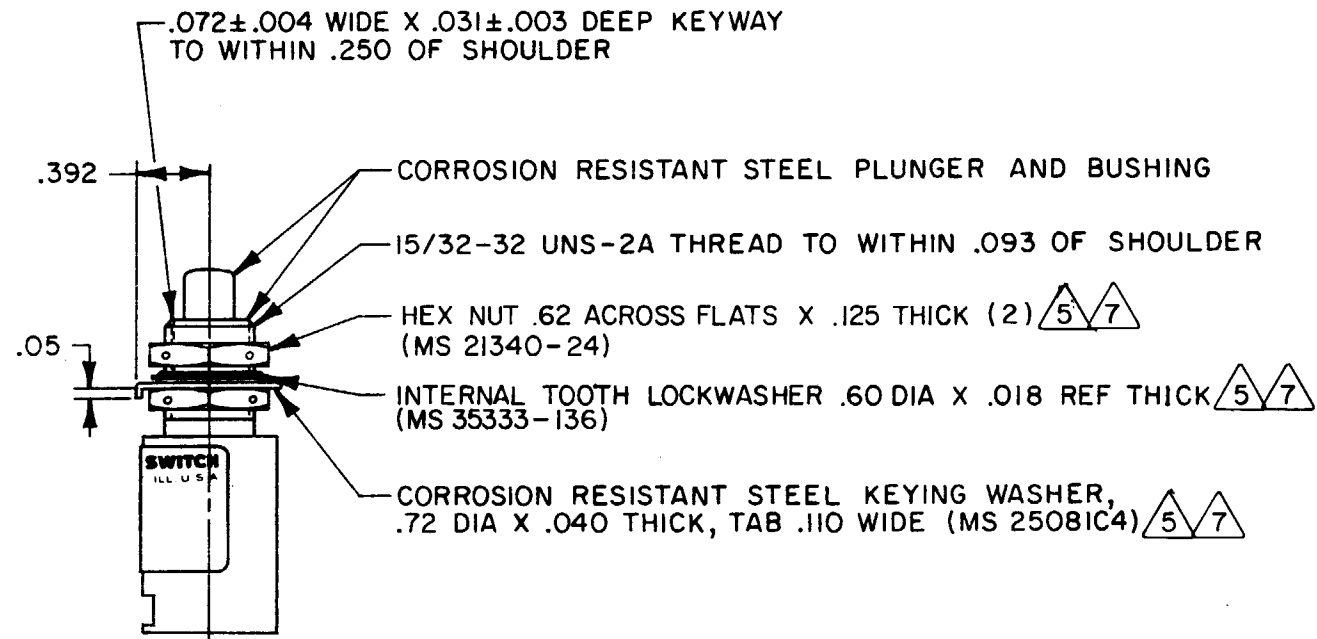
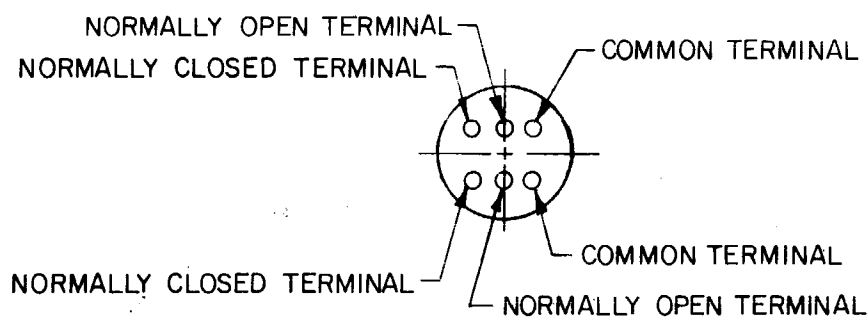
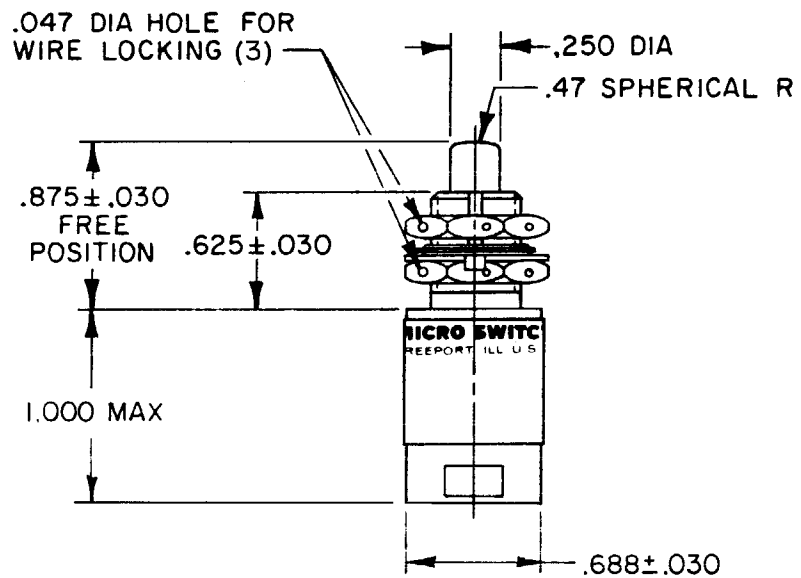
REVISIONS

A	PR14756	19 MAY 86
12	KEW	MAY 86
B	ADD CORDI 60043	
13	M A P	AUG 86
C	CO 75612-B	
16	WES	AUG 93
D	CO-92376	
	TSM	MAR 98

FORMTEK

DRAWN

9 MAY 86



NOTES

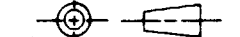
- 1 - CORROSION RESISTANT STEEL ENCLOSURE
- 2 - SWITCH SEALED PER MIL-S-8805 SYMBOL 4
- 3 - COINCIDENCE OF OPERATING AND RELEASING POINTS: .010 INCH OF PLUNGER TRAVEL
- 4 - CATALOG LISTING, AND DATE CODE ARE SHOWN ON NAMEPLATE

- 5
- 6
- 7

REPLACEMENT MOUNTING HARDWARE - PACKET 19PA9  
 APPLICATION INFORMATION ONLY  
 HARDWARE MAY BE PACKAGED UNASSEMBLED PER MIL-S-8805

THIS DRAWING COVERS A PROPRIETARY ITEM AND IS THE PROPERTY OF MICRO SWITCH, A DIVISION OF HONEYWELL. THIS DRAWING IS NOT TO BE COPIED OR USED WITHOUT THE APPROVAL OF MICRO SWITCH.

THIRD ANGLE PROJECTION



SCALE FULL

DO NOT SCALE PRINT

TOLERANCES

APPLY TO DESIGN UNITS. CONVERSIONS ARE ONLY FOR REFERENCE. UNLESS NOTED, TOLERANCES ARE:

DIM.	TOL.	DIM.	TOL.
mm	mm/in	in	mm/in
NO PLACES	X	1/100	X X
ONE PLACE	X,X	0.41/0.18	X X X
TWO PLACES	X,XX	0.15/0.008	X X X X
THREE PLACES	X,XXX	0.13/0.005	X X X X X
ANGLES			

DESIGN UNITS  SI METRIC  US CUSTOMARY

RAW MATERIAL-COMMERCIAL STANDARD

MICRO SWITCH STANDARDS APPLY

DIMENSIONS ARE TO BE MET BEFORE PROTECTIVE COATINGS ARE APPLIED

WEIGHT .50 LB

CHARACTERISTICS		ELECTRICAL DATA	
OPERATING FORCE	6-12 LB	CONTACT ARRANGEMENT	
FULL OVERTRAVEL FORCE	30 LB MAX	S P D T (2)	
RELEASE FORCE	4 LB MIN	LOAD	28 VDC
PRETRAVEL	.040 MAX	SEA LEVEL	50,000 FT.
DIFFERENTIAL TRAVEL	.020 MAX	RES	7
OVERTRAVEL	.125 MIN	IND	4
		MOTOR	4

## X-ON Electronics

Largest Supplier of Electrical and Electronic Components

*Click to view similar products for [Basic / Snap Action Switches](#) category:*

*Click to view products by [Honeywell](#) manufacturer:*

Other Similar products are found below :

[83228001](#) [01.098.1358.1](#) [602EN1-6B](#) [602EN532](#) [602EN535-RB](#) [602HE5-RB1](#) [604HE162](#) [604HE223-6B](#) [624HE17-RB](#) [6HM89](#) [6PA78-JM](#)  
[6SE1](#) [6SX1-H58](#) [70500840](#) [MBD5B1](#) [MBH2731](#) [73-316-0012](#) [79211759](#) [79211923](#) [79218589](#) [7AS12](#) [ML-1155](#) [ML-1376](#) [831010C3.0](#)  
[831060C3.TL](#) [831090C2.EL](#) [83131904](#) [84212012](#) [8AS239](#) [8HM73-3](#) [903VB1-PG](#) [914CE1-6G](#) [PL-100](#) [11SM1077-H4](#) [11SM1077-H58](#)  
[11SM1-TN107](#) [11SM405](#) [11SM703-T](#) [11SM8423-H2](#) [11SX37-T](#) [11SX48-H58](#) [11SX55-H58](#) [11SM2442-T](#) [11SM76-T](#) [11SM77-H58](#)  
[11SM77-T](#) [11SM863-T](#) [11SM866](#) [11SX47-H58](#) [A7CN-1M-1-LEFT](#)