
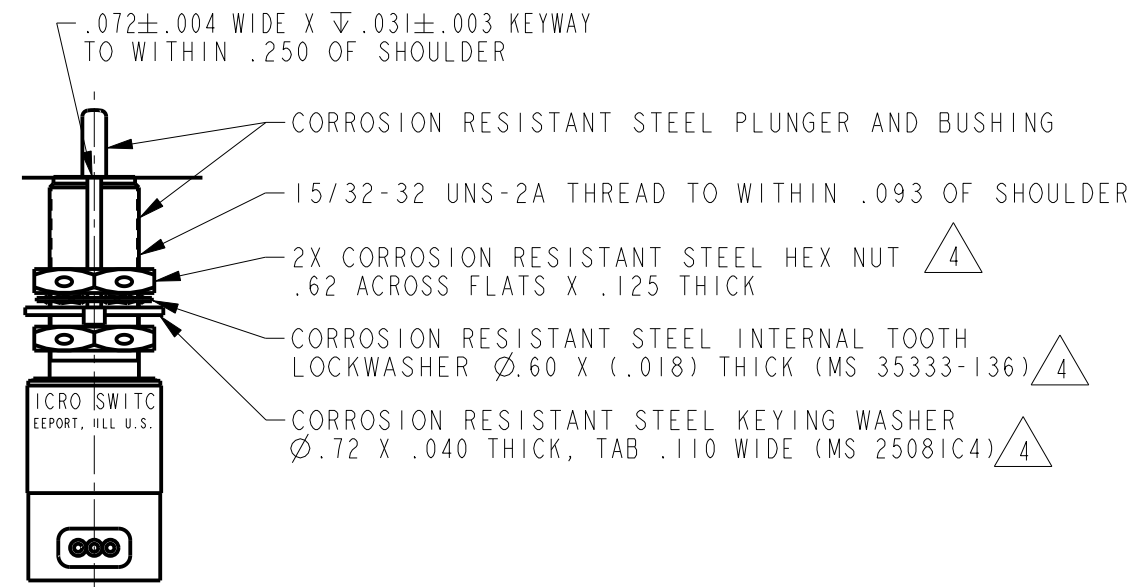
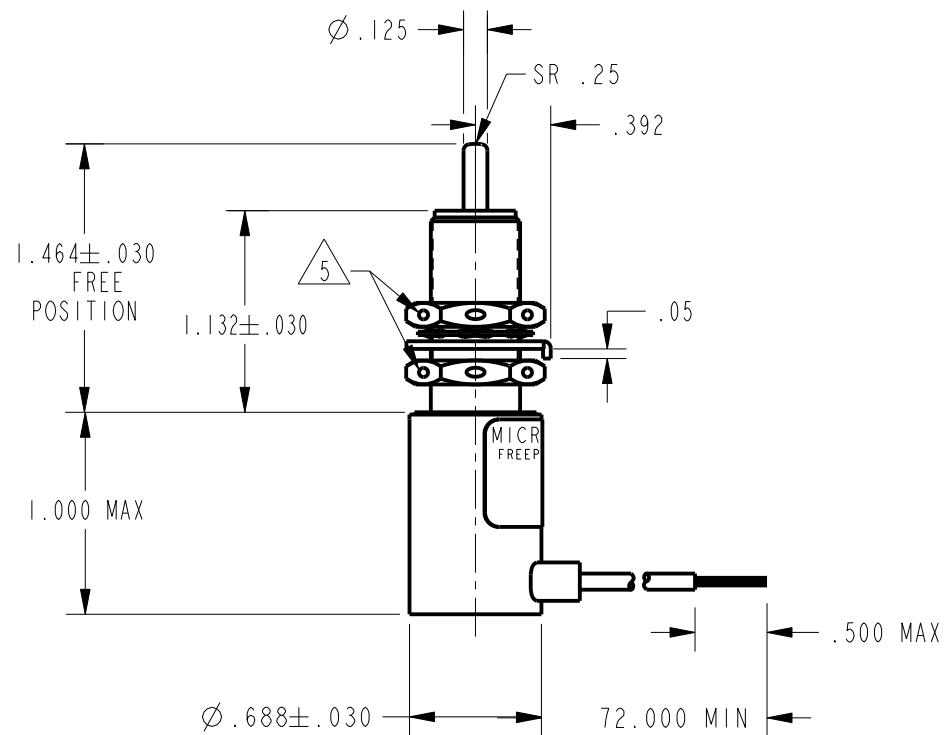
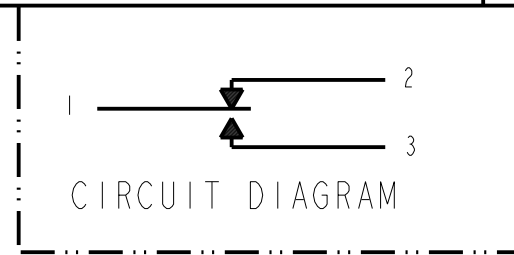
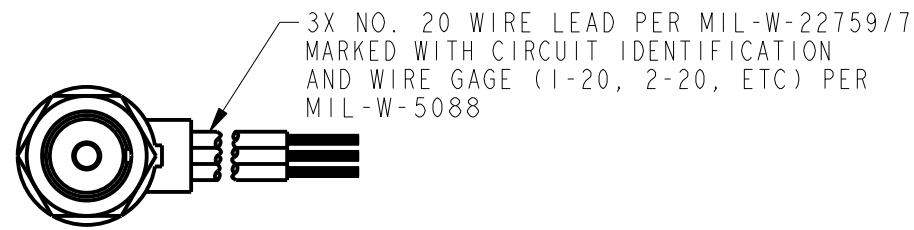


HONEYWELL PART NUMBER
602EN601-6
FAA-PMA 

REV	DOCUMENT	CHANGED BY	CHECK
21	0006861	AS 02AUG04	AK



- NOTES
- 1 - CORROSION RESISTANT STEEL ENCLOSURE
  - 2 - SWITCH SEALED PER MIL-PRF-8805 SYMBOL 4
  - 3 - CIRCUIT DIAGRAM, CATALOG LISTING, DATE CODE, FED MFG CODE AND FAA-PMA ARE SHOWN ON LABEL
  - 4 - HARDWARE MAY BE PACKAGED UNASSEMBLED PER MIL-PRF-8805
  - 5 - 3X Ø.047 HOLE FOR WIRE LOCKING
  - 6 - FOR MANUFACTURING DETAIL SEE ASSEMBLY DRAWING 602EN601-6 FOR FAA-PMA

CHARACTERISTICS
OPERATING FORCE ----- 2-4 LB
FULL OVERTRAVEL FORCE ---- 15 LB MAX
RELEASE FORCE ----- 1 LB MIN
PRETRAVEL ----- .015±.010
DIFFERENTIAL TRAVEL ---- .020 MAX
OVERTRAVEL ----- .250 MIN

ELECTRICAL DATA		
CONTACT ARRANGEMENT S P D T		
LOAD	28 VDC	
		SEA LEVEL
RES	7	7
IND	4	2.5
MOTOR	4	
LAMP		

DESIGN UNITS: INCH
TOLERANCES UNLESS NOTED:
NO PLACE X ± 0.400
ONE PLACE .X ± 0.030
TWO PLACE .XX ± 0.015
THREE PLACE .XXX ± 0.005
FOUR PLACE .XXXX ± 0.0005
ANGLES X ± 3
THIRD ANGLE PROJECTION

DRAWN	TSM	I I J A N 0 0
CHECK	SAV	I I J A N 0 0
THIS DRAWING COVERS A PROPRIETARY ITEM AND IS THE PROPERTY OF HONEYWELL. THIS DRAWING IS NOT TO BE COPIED OR USED WITHOUT THE PERMISSION OF HONEYWELL.		
INTERPRET PER ASME Y14.5M-1994 OTHER HONEYWELL ENGINEERING STANDARDS MAY APPLY		
Pro/ENGINEER	2D	

<b>Honeywell</b>			
TITLE <b>SWITCH-ENCLOSED</b>			
SIZE	TYPE	DRAWING NAME	REV
<b>B</b>	<b>I</b>	<b>602EN601-6</b>	<b>21</b>
SCALE	FULL	WEIGHT 4.3 OZ MAX	SHEET 1 OF 1

## X-ON Electronics

Largest Supplier of Electrical and Electronic Components

*Click to view similar products for [Basic / Snap Action Switches](#) category:*

*Click to view products by [Honeywell](#) manufacturer:*

Other Similar products are found below :

[83228001](#) [01.098.1358.1](#) [602EN1-6B](#) [602EN532](#) [602EN535-RB](#) [602HE5-RB1](#) [604HE162](#) [604HE223-6B](#) [624HE17-RB](#) [6HM89](#) [6PA78-JM](#)  
[6SE1](#) [6SX1-H58](#) [70500840](#) [MBD5B1](#) [MBH2731](#) [73-316-0012](#) [79211759](#) [79211923](#) [79218589](#) [7AS12](#) [ML-1155](#) [ML-1376](#) [831010C3.0](#)  
[831060C3.TL](#) [831090C2.EL](#) [83131904](#) [84212012](#) [8AS239](#) [8HM73-3](#) [903VB1-PG](#) [914CE1-6G](#) [PL-100](#) [11SM1077-H4](#) [11SM1077-H58](#)  
[11SM1-TN107](#) [11SM405](#) [11SM703-T](#) [11SM8423-H2](#) [11SX37-T](#) [11SX48-H58](#) [11SX55-H58](#) [11SM2442-T](#) [11SM76-T](#) [11SM77-H58](#)  
[11SM77-T](#) [11SM863-T](#) [11SM866](#) [11SX47-H58](#) [A7CN-1M-1-LEFT](#)