

Keystone Desk Housing 6 port



Keystone Desk Housing (MK6)

This keystone panel can be used as a small distribution box on or under the desk, on a wall and in a shallow SOHO cabinet. Two different mounting options provide a versatile and flexible installation. With its standardized dimensions, it is suitable for easy snap-in mounting of 6 keystone modules.

Features

- 45 degree angled keystone panel
- For flexible mounting on desks, tables, furniture or walls
- Printed with numbered ports and labelling facility
- Easily mountable side by side
- Holes for screw fixing, distance 104mm
- Supplied with two screws
- For use with our multimedia keystone range
http://www.tuk.co.uk/tuk_live/product_details.php?category_id=15&pId=205

Specifications

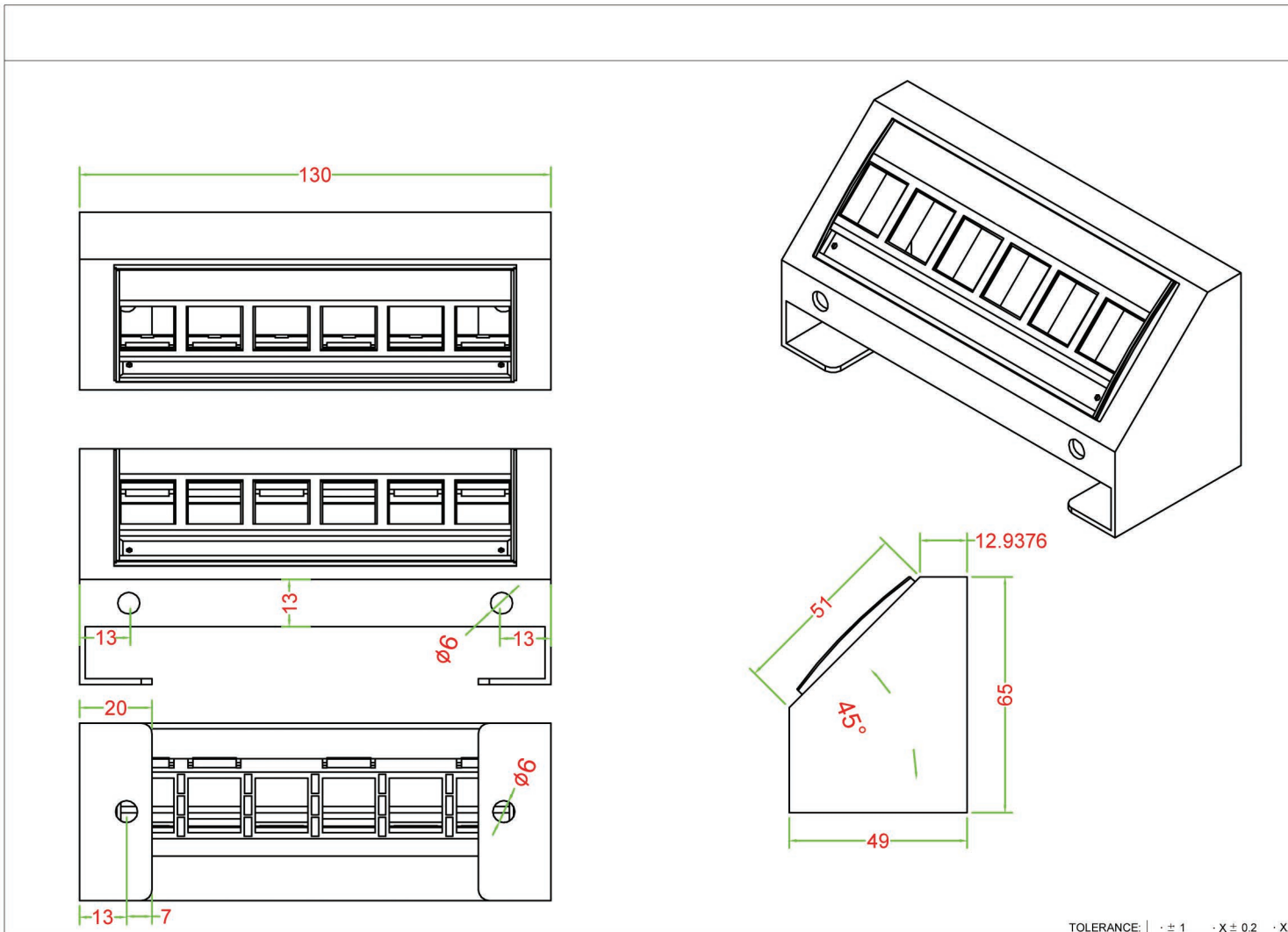
- Weight: approx. 182g
- Dimensions: approx. 130 x 65 x 49mm
- Keystone ports approx. 19.2 x 14.9mm
- Suitable for keystones up to 18.5mm wide
- Colour: black
- Material: metal panel with plastic front bezel





ROHS Compliant

Code:MK6



X-ON Electronics

Largest Supplier of Electrical and Electronic Components

Click to view similar products for [tuk](#) manufacturer:

Other Similar products are found below :

[SP0.5BL](#) [FJKPT](#) [SKMCBKDPM](#) [PXCAT6S8XL2](#) [KRCAWHBKDPM](#) [SP3RD](#) [SP5RD](#) [OT45BK](#) [SP5YW](#) [SKFYW](#) [SP10GY](#) [TSY](#)
[PXSPDY6S#100](#) [PSPDY5#100](#) [PSDL-6#20](#) [WJOL](#) [F78BKB](#) [FACK2BKDPM](#) [FJP2](#) [SKFBKDPM](#) [SPDL5BK](#) [SP10BK](#) [SKH1LJ](#)
[PXSPDY5#10](#) [PSDL-5#100](#) [WJSG](#) [FJ445](#) [SP2GN](#) [SP10GN](#) [SGKSSUPM](#) [SLJBKDPM](#) [SP10RD](#) [SILS](#) [SP5GN](#) [SGPZ10BK](#) [MGOP6](#)
[PXSPDY6#10](#) [TRCSPDY3](#) [SKH4](#) [SGKSSU-45WH](#) [SP10BL](#) [SGPZ3BK](#) [ADF](#) [CPR2](#) [SEKEI-45WH](#) [SGKH2](#) [TRCSPDYBP](#) [SP10YW](#)
[KPJ2BK](#) [KH2](#)