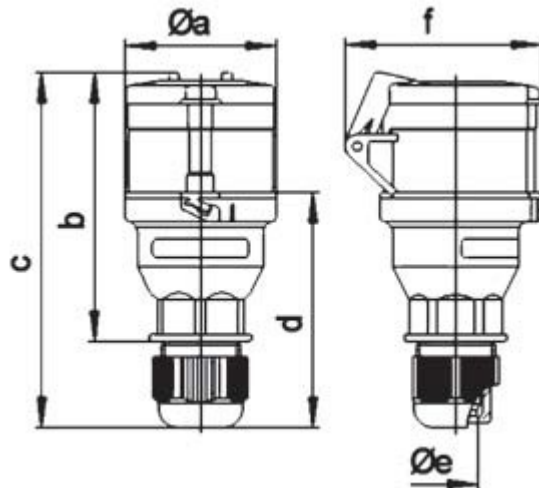


**Quick Connect Blue Connector With Multi-Grip Cable Gland 2P+E (6H) IP44
16A 240V**



Dimensions

All dimensions in mm.



aØ	b	c	d
53	104.5	145	97.5
eØ	f	Conductor mm ² min	Conductor mm ² max
18	69	1	2.5

X-ON Electronics

Largest Supplier of Electrical and Electronic Components

Click to view similar products for [ceenorm](#) manufacturer:

Other Similar products are found below :

[11949](#) [112001](#) [3126](#) [2125](#) [3138](#) [21013-TLS](#) [13668](#) [21001-TLS](#) [31001-TLS](#)