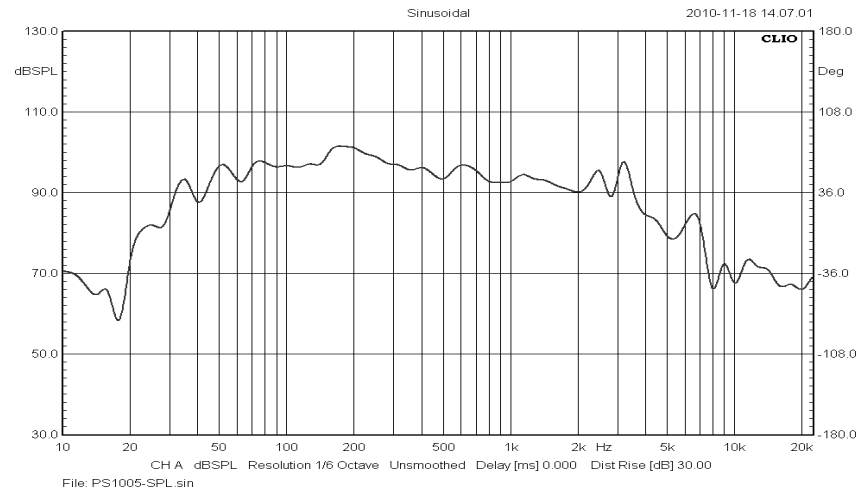
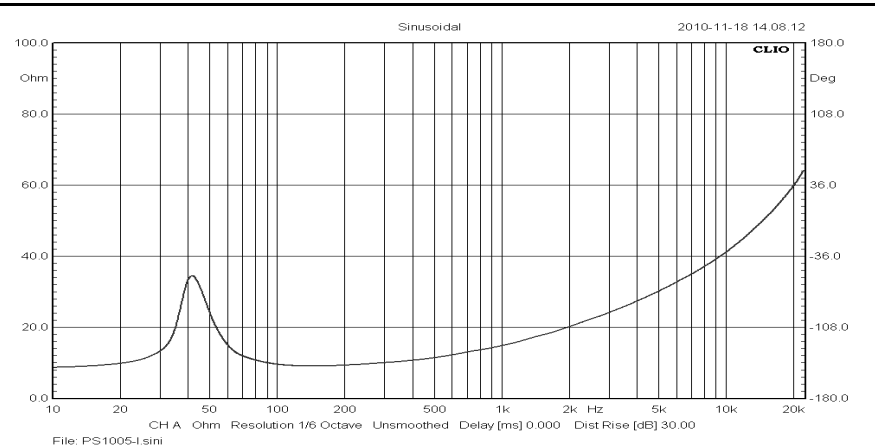
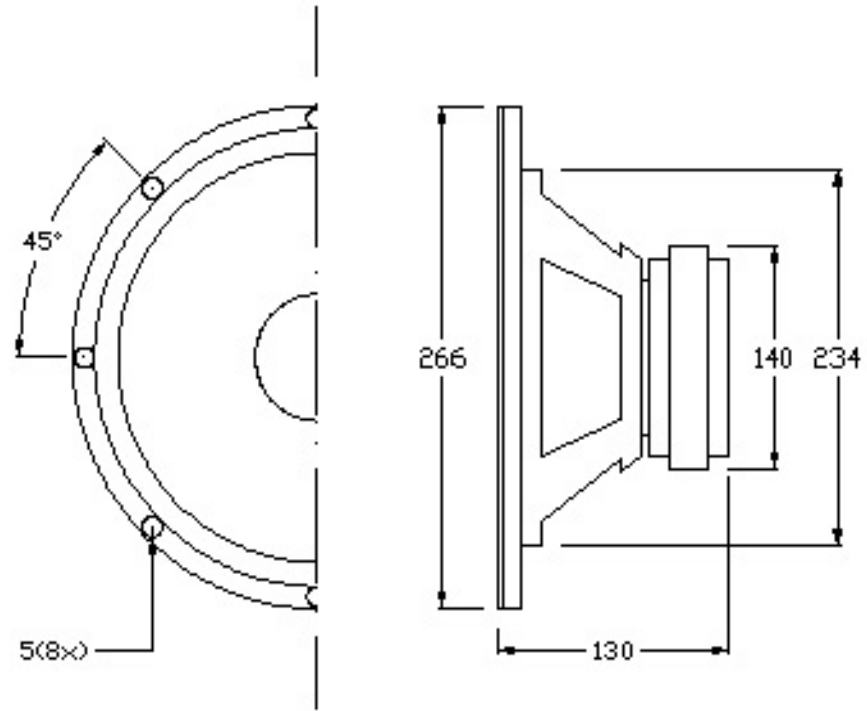


<b>Model Number:</b>	<b>55-2981</b>	
<b>GENERAL SPECIFICATIONS</b>		
Nominal Diameter:	10 inch	
Rated Impedance:	8 ohms	
Operating Bandwidth:	35Hz ~ 3.5KHz (-3dB)	
Power Handling Capacity:	250 Watts RMS	
Sensitivity (1W/M):	93 dB (±3dB)	
Voice Coil Diameter:	2 inch	
<b>THIELE-SMALL PARAMRTERS</b>		
Resonance Frequency	Fs:	41.8 HZ
DC Resistance	Re:	6.3 ohm
Mechanical Q Factor	Qms:	3.08
Electrical Q Factor	Qes:	0.655
Total Q Factor	Qts:	0.54
Equivalent Cas air load	Vas:	58.079 liters
Surface Area of Cone	Sd:	0.0363 m <sup>2</sup>
Efficiency Bandwidth Product	EBP	76
Voice Coil Over Hang	X-max	6.5 mm
<b>PHYSICAL INFORMATION</b>		
Basket:	Cast Aluminium	
Magnet Type:	40 OZ	
Cone Material:	None press paper	
Surround:	cloth	
Dust Cap:	paper	
Damper:	cloth	





ALL DIMENSIONS ARE IN MILLIMETERS

## X-ON Electronics

Largest Supplier of Electrical and Electronic Components

*Click to view similar products for [Speakers & Transducers](#) category:*

*Click to view products by [MCM manufacturer](#):*

Other Similar products are found below :

[AS02016MR-2-R](#) [PB-1220PE](#) [PB-2015PQ](#) [900-00001](#) [SMT-2240-TW-2-R](#) [SWFK-31736-000](#) [PT-2065FW](#) [PT-4175W](#) [AT-2830-TW-LW35-R](#) [ED-30761-000](#) [ED-31305-163](#) [CI-30120-A42](#) [TWFK-23991-000](#) [PB-0927PQ](#) [BF-7083-000](#) [AB6505B](#) [AS01708MR-SC-2-R](#) [AT-5030-TF-2-LW100-R](#) [AST-03008MR-R](#) [AS01308MR-2-R](#) [AS01808AO-WP-R](#) [AS01508MR-6-R](#) [AS07108PO-R](#) [AS07708PS-2-WR-R](#) [AS07104PO-R](#) [SMS2020-08H4.5 LF](#) [BDT1717-08H6.5W56MLF](#) [SMS-2008MS-R](#) [AS04008PS-4W-WR-R](#) [AS06608PS-WR-R](#) [BLS50-1-08H18.2B-03 LF](#) [AS07008PO-2-R](#) [AS03008MR-R](#) [AS01808AO-3-R](#) [AS04008CO-2-R](#) [AS04008PR-WR-R](#) [ASE03008MR-LW150-R](#) [AS01808MR-LW152-R](#) [AS01808MR-R](#) [AS03608MR-4-R](#) [AS06608PS-R](#) [AS07708PS-2-R](#) [ASE06008MR-LW150-R](#) [ASE02008MR-LW150-R](#) [AST-1732MR-R](#) [SMS-1508MS-2-R](#) [AS05708MR-R](#) [AS05008MR-R](#) [APS3008S-R](#) [AS02008MR-R](#)