

M12 Actuator/Sensor Distribution Boxes

ASB 4/LED - RS120M | ASB 8/LED - RS120M

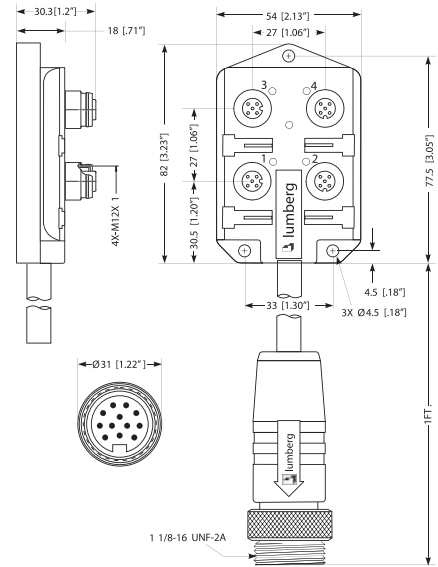


4- and 8-Ports (LED)

Actuator/sensor distribution box with LED operation and function indicators, top-entry, 4- and 8-ports, M12 sockets, 4-poles, 1 signal per socket, with integrated Mini quick disconnect home run control cable.

– control cable is suitable for c-track applications –

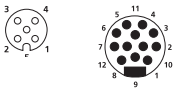
4-Ports



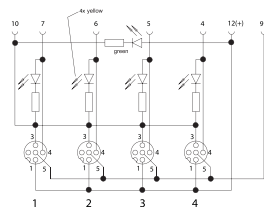
Pin Assignments

M12 / Mini 1 1/8"

Wiring Diagrams

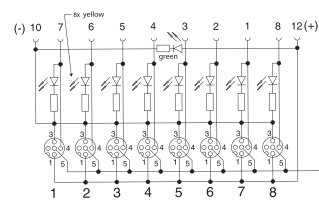


4-Ports



1 = 12 (+)
3 = 10 (-)
4 = 1 (7)
2 (6)
3 (5)
4 (4)
5 = 9 (gnd)

8-Ports



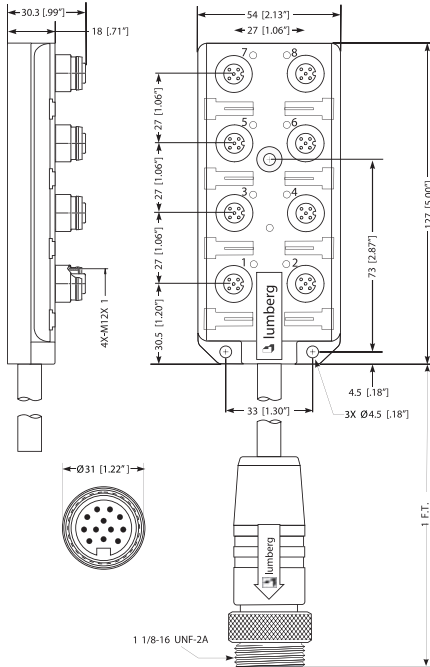
1 = 12 (+)
3 = 10 (-)
4 = 1 (7)
2 (6)
3 (5)
4 (4)
5 (3)
6 (2)
7 (1)
8 (8)
5 = 9 (gnd)



Be Certain with Belden

M12 Actuator/Sensor Distribution Boxes ASB 4/LED 5-4-328/RS120M | ASB/LED 8 5-4-331/RS120M

8-Ports



Technical Data

Environmental

Degree of protection IP 67 / NEMA 6P
Operating temperature range -15°C (+5°F) / +80°C (+176°F)

Mechanical

Housing PUR, yellow
Insert Nylon
Contact CuZn, gold plated
Receptacle shell CuZn, nickel-plated
O-ring FKM

Mini Quick Disconnect

Molded body PUR, yellow
Insert PUR, yellow
Contact CuZn, gold plated
Coupling nut Aluminum, black anodized

Electrical

Contact resistance $\leq 5m\Omega$
Voltage rating 10-30 V DC
Current rating 4 A per port / 12 A max. total
Insulation resistance $> 10^9 \Omega$

Accessories (included)

ZVK 2 dust covers for unused sockets
ZBS 10 attachable labels

Cable Specifications

Cable No.	Outer Jacket	Conductor Size	Color	Outside Diameter
328	PUR, halogen-free	3 x 0.75 mm ² 4 x 0.34 mm ²	Black	.268" (6.8 mm)
331	PUR, halogen-free	3 x 0.75 mm ² 8 x 0.34 mm ²	Black	.315" (8.0 mm)

Part Number	Ports	Cable Length	Characteristics
ASB 4/LED 5-4-328/RS120M	4	1F	
ASB 8/LED 5-4-331/RS120M	8	1F	

X-ON Electronics

Largest Supplier of Electrical and Electronic Components

Click to view similar products for [lumberg](#) manufacturer:

Other Similar products are found below :

[RK20-603/5M](#) [ASBSM 10/LED 3](#) [ASBS-R 8/LED 5-4](#) [ASBSV 8 5](#) [BTO 1 V ROT](#) [BTOR 1 SCHWARZ](#) [18315 0976 PMC 151](#) [KRE8](#) [SBS](#)
[4/LED 3](#) [SFV 80](#) [RK30/2M](#) [RKWT 4-07/5M](#) [ASBS-R 4 5-4](#) [ASBS-R 4/LED 5-4](#) [BTO 1 ROT](#) [BTO 1 SCHWARZ](#) [BTO 1 V SCHWARZ](#)
[BTOR 1 GELB](#) [BTOR 1 WEISS](#) [KB3](#) [KRES10](#) [KRESS8](#) [KS8](#) [KRM 07](#) [2480 01](#) [0103 03](#) [WKV 81](#) [RK 30-738/20F](#) [RKMV 4-225/10 M](#)
[RKT 5-644/2M](#) [RKT 4-679/5M](#) [HZ30](#) [ASBS 2 M12-S2326](#) [1614 16](#) [0985 706 100/10M](#) [RST 4-RKWT 4-602/1M](#) [WKV50](#) [RST 4-633/2M](#)
[RST 4-RKWT 4-602/3M](#) [RS-TU](#) [WSV 30](#) [0986 EMC 102](#) [0250 03](#) [RKWT 5-612/5M](#) [0980 ESL 393-121](#) [RST 5L-RKT 5L-949/5 M](#) [ASBM](#)
[6/LED 3-344/5 M](#) [RKT 4-646/2M](#) [RKHL 8/S 5,5](#) [0985 YM57530 100/20M](#)