

M12 Actuator/Sensor Distribution Boxes

ASBSV

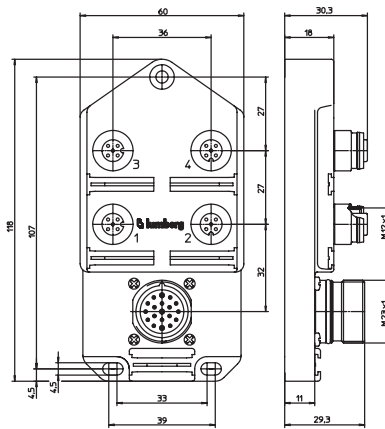


4-, 6-, and 8-Ports

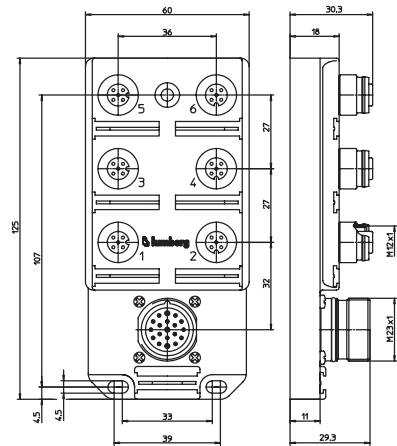
Pluggable actuator/sensor distribution box, 4-, 6-, and 8-ports, top-entry, M12 sockets, 5-poles, 2 signals per socket, with M23 quick-disconnect for the control cable.

– control cable type: 19P: RKU 19-242/...M or RKWU 19-242/...M –

4-Ports



6-Ports

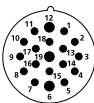


Pin Assignments

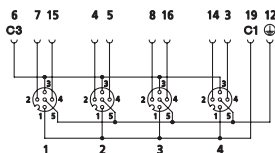
M12 / M23

Wiring Diagrams

5 P / 19 P

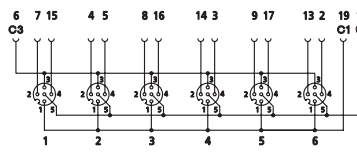


4-Ports



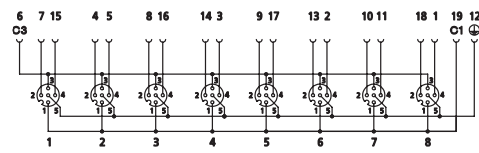
- 1 = 19 (C1)
- 2 = 1 (7)
- 3 = 2 (4)
- 4 = 3 (8)
- 5 = 4 (14)
- 6 = 5 (C3)
- 7 = 6 (15)
- 8 = 2 (5)
- 9 = 3 (16)
- 10 = 4 (3)
- 11 = 5 (PE)

6-Ports



- 1 = 19 (C1)
- 2 = 1 (7)
- 3 = 2 (4)
- 4 = 3 (8)
- 5 = 4 (14)
- 6 = 5 (9)
- 7 = 6 (13)
- 8 = 3 (C3)
- 9 = 4 (15)
- 10 = 2 (5)
- 11 = 3 (16)
- 12 = 4 (3)
- 13 = 5 (17)
- 14 = 6 (2)
- 15 = 12 (PE)

8-Ports



- 1 = 19 (C1)
- 2 = 1 (7)
- 3 = 2 (4)
- 4 = 3 (8)
- 5 = 4 (14)
- 6 = 5 (9)
- 7 = 6 (13)
- 8 = 7 (10)
- 9 = 8 (18)
- 10 = 6 (C3)
- 11 = 4 (15)
- 12 = 2 (5)
- 13 = 3 (16)
- 14 = 4 (3)
- 15 = 5 (17)
- 16 = 6 (2)
- 17 = 7 (11)
- 18 = 8 (1)
- 19 = 12 (PE)



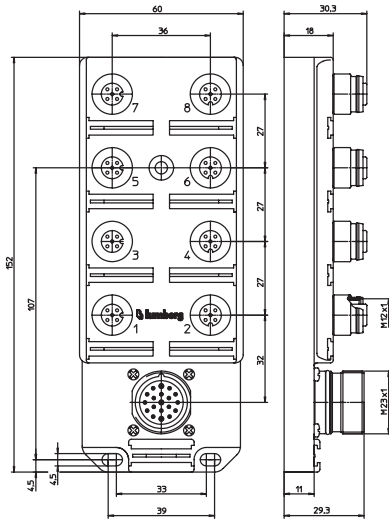
Be Certain with Belden

Distribution Boxes

M12 Actuator/Sensor Distribution Boxes

ASBSV 4 5 | ASBSV 6 5 | ASBSV 8 5

8-Ports



Technical Data

Environmental

Degree of protection IP 67 / NEMA 6P
 Operating temperature range -15°C (+5°F) / +80°C (+176°F)

Mechanical

Housing TPU, self-extinguishing
 Insert PA GF, self-extinguishing
 Contact CuZn, pre-nickel and 0.8 microns gold-plated
 Receptacle shell CuZn, nickel-plated
 O-ring FKM

Electrical

Contact resistance $\leq 5m\Omega$
 Voltage rating 250 V
 Current rating 4 A per port / 10 A max. total
 Insulation resistance $> 10^9 \Omega$

Accessories (included)

ZVK 2 dust covers for unused sockets
 ZBS 10 attachable labels

Part Number	Ports	Mating Control Cables	Characteristics
ASBSV 4 5	4	RKU 19-242/...M or RKWU 19-242/...M	
ASBSV 6 5	6	RKU 19-242/...M or RKWU 19-242/...M	
ASBSV 8 5	8	RKU 19-242/...M or RKWU 19-242/...M	

X-ON Electronics

Largest Supplier of Electrical and Electronic Components

Click to view similar products for [lumberg](#) manufacturer:

Other Similar products are found below :

[RK20-603/5M](#) [ASBSM 10/LED 3](#) [ASBS-R 8/LED 5-4](#) [ASBSV 8 5](#) [BTO 1 V ROT](#) [BTOR 1 SCHWARZ](#) [18315 0976 PMC 151](#) [KRE8](#) [SBS](#)
[4/LED 3](#) [SFV 80](#) [RK30/2M](#) [RKWT 4-07/5M](#) [ASBS-R 4 5-4](#) [ASBS-R 4/LED 5-4](#) [BTO 1 ROT](#) [BTO 1 SCHWARZ](#) [BTO 1 V SCHWARZ](#)
[BTOR 1 GELB](#) [BTOR 1 WEISS](#) [KB3](#) [KRES10](#) [KRESS8](#) [KS8](#) [KRM 07](#) [2480 01](#) [0103 03](#) [WKV 81](#) [RK 30-738/20F](#) [RKMV 4-225/10 M](#)
[RKT 5-644/2M](#) [RKT 4-679/5M](#) [HZ30](#) [ASBS 2 M12-S2326](#) [1614 16](#) [0985 706 100/10M](#) [RST 4-RKWT 4-602/1M](#) [WKV50](#) [RST 4-633/2M](#)
[RST 4-RKWT 4-602/3M](#) [RS-TU](#) [WSV 30](#) [0986 EMC 102](#) [0250 03](#) [RKWT 5-612/5M](#) [0980 ESL 393-121](#) [RST 5L-RKT 5L-949/5 M](#) [ASBM](#)
[6/LED 3-344/5 M](#) [RKT 4-646/2M](#) [RKHL 8/S 5,5](#) [0985 YM57530 100/20M](#)