



## USB Plug, Solder Type Set with 4 parts including boot

### Technical Features

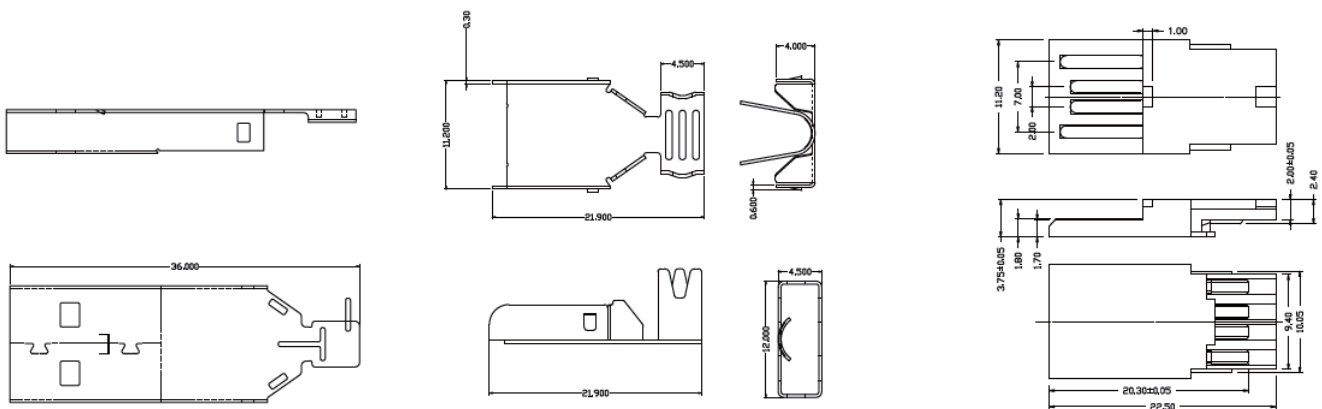
USB plug solder type

With grey boot

Part-No	USB Type	EAN Code
UP0001	USB-A	4052792038088
UP0002	USB-B	4052792038095

### Technical Drawings

UP0001



[www.logilink.de](http://www.logilink.de)



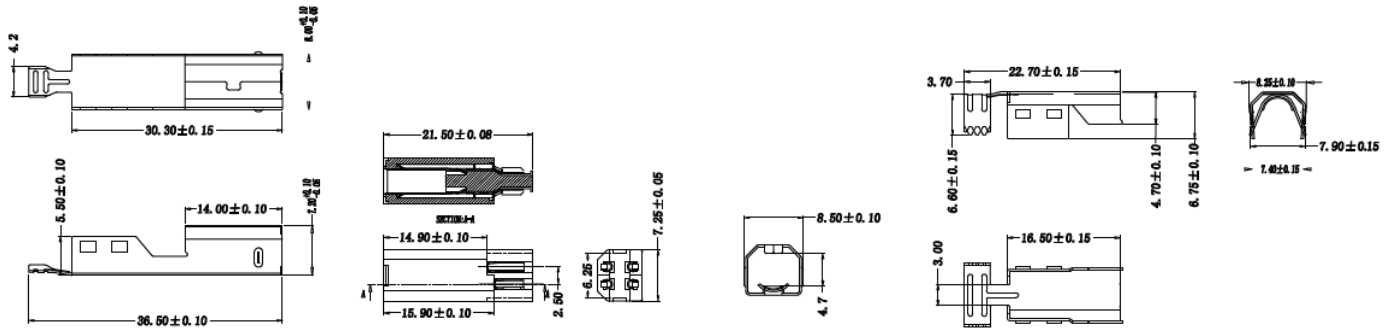
RoHS  
compliant



Made in China

\* The specifications and pictures are subject to change without notice.  
\*All trade names referenced are the registered trademark of their respective owners.

UP0002



## Package Contents

1 x USB connector set

## Packaging Informations

Packing Dimension	55 x 83mm
Packing Weight	0,005kg
Carton Dimension	380 x 280 x 200mm
Carton Q'ty	500pcs
Carton Weight	4kg

[www.logilink.de](http://www.logilink.de)



RoHS  
compliant



Made in China

\* The specifications and pictures are subject to change without notice.  
\*All trade names referenced are the registered trademark of their respective owners.

## X-ON Electronics

Largest Supplier of Electrical and Electronic Components

*Click to view similar products for [USB Cables / IEEE 1394 Cables category](#):*

*Click to view products by [Logilink manufacturer](#):*

Other Similar products are found below :

[68768-0173](#) [FNY-W6003-01](#) [88764-0800](#) [13805532](#) [148700-1](#) [17-200621](#) [17-250051P](#) [954](#) [AC102012-2](#) [IP-USB1\(C10\)S-RW](#)  
[CABLE/RTP/USB/DT](#) [0847290003](#) [10115240-12200LF](#) [RS232-GTD](#) [USBFTVX2SA2N03A](#) [USBFTV2SA2N03A](#) [1689404-1](#) [FTP-](#)  
[629Y401](#) [FTP-628Y402](#) [943301-001](#) [FNY-W6022](#) [FNY-W6003-03](#) [1310-1015-05](#) [1310-1018-04](#) [1310-1019-04](#) [0887283402](#) [UA-](#)  
[30AMFM-SL7B02](#) [UA-30AMFM-SL7B01](#) [UA-30AFM-LD7B03](#) [UA-30AMFM-SL7B03](#) [USBAPSCC7202A](#) [UES-1001A160](#) [UES-](#)  
[1003A160](#) [USBFTVX7SA2N20A](#) [USBFTVX2SA2N20A](#) [USBFTV2PEMSA2N10A](#) [FTP-629Y602](#) [USBCAMCM100](#) [USB A/F\\*2 to 2.54](#)  
[2\\*5P-SH L=400mm](#) [EP-CBUSB10P2FLT](#) [1310-1033-01](#) [1310-1037-04](#) [ASR-USB](#) [68784-0075](#) [17-241361](#) [17-230471](#) [217B-BC02](#) [USB-29](#)  
[19800-010500-200-RS](#) [USB+MINI DIN 6P WITH BKT](#)