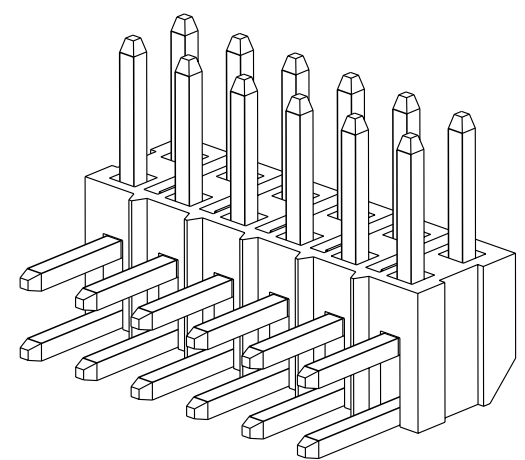
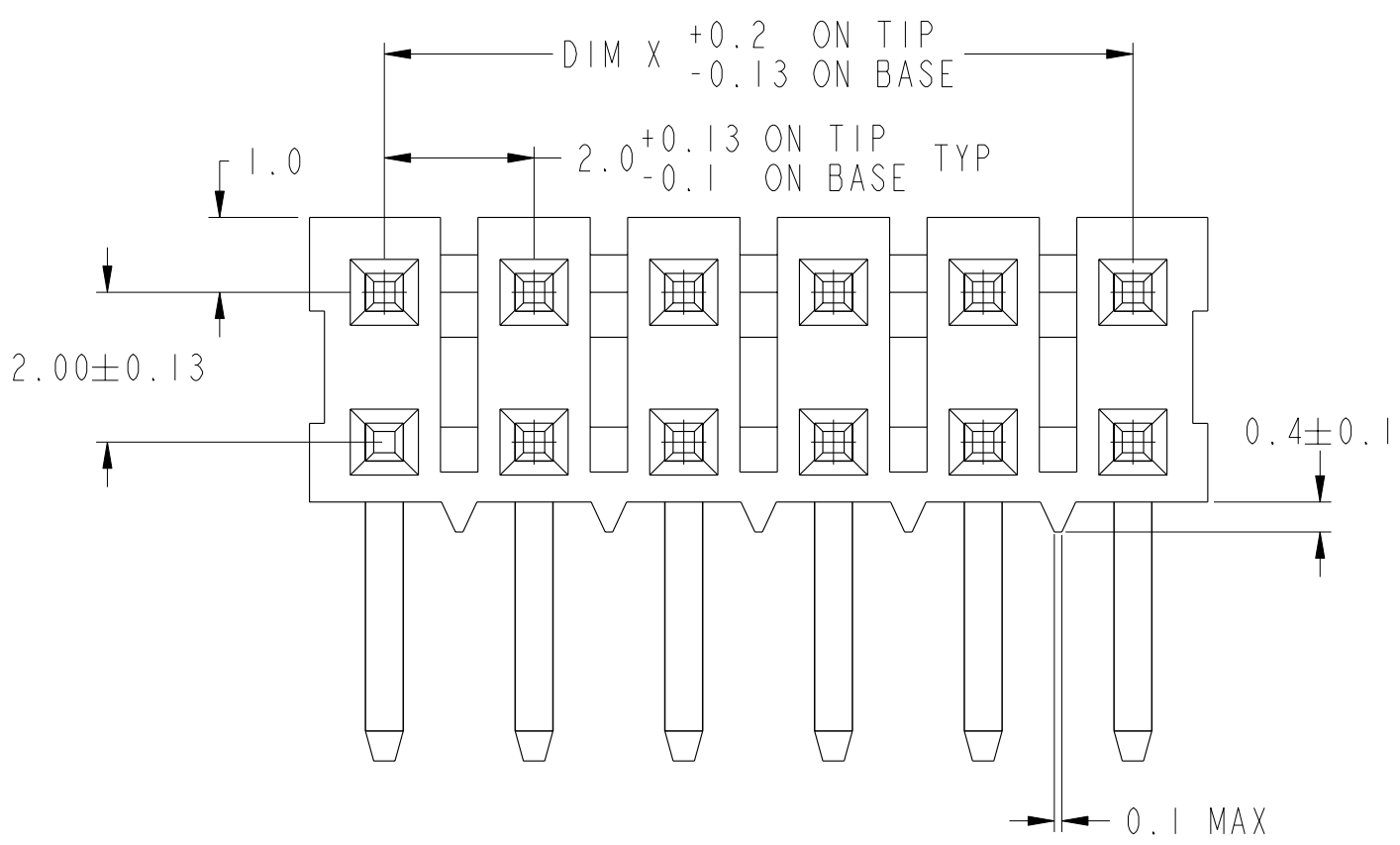
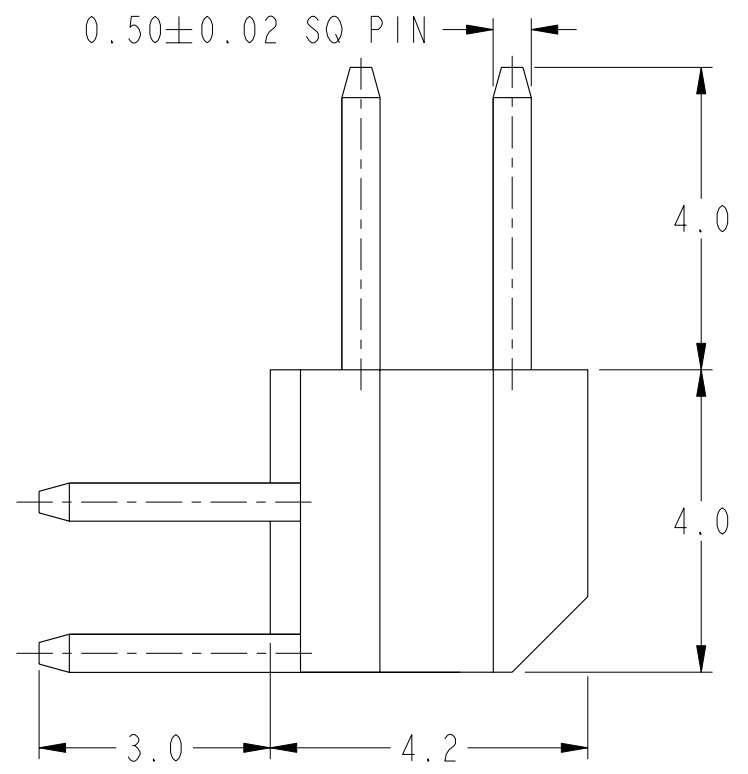
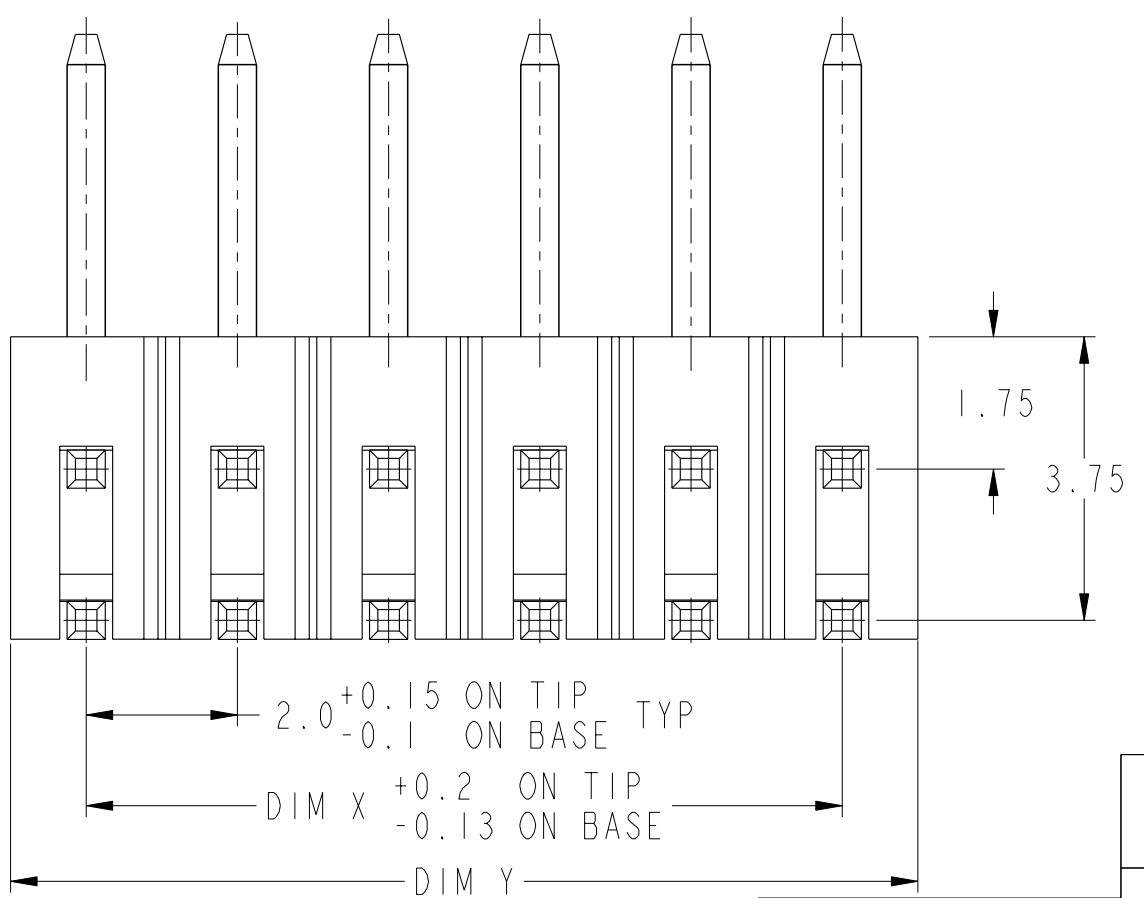




Copyright FCI.



SCALE 5:1



rev	ecn no	dr	date
A	S40287	BSL	1994-11-22
B	S05-0057	KBM	2005-02-25
C	S10-0205	NBR	2010-01-18
-	-	-	-
-	-	-	-
-	-	-	-

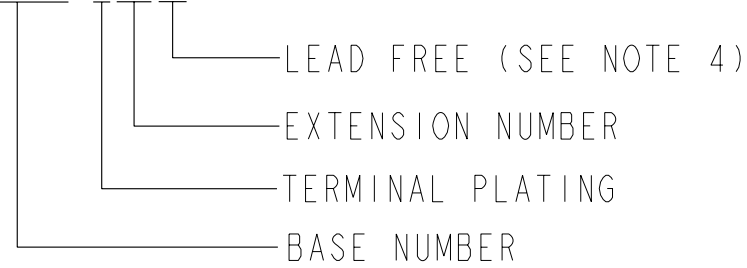
www.fciconnect.com		surface - ✓ ISO 1302	tolerance std ISO 406 ISO 1101	projection MM
		TOLERANCES UNLESS OTHERWISE SPECIFIED		
Dr	BS LOW	1994-11-18	ANGULAR	0.X ±
Eng	BS LOW	1994-11-18	LINEAR	0.XX ±0.25
Chr	KH LEE	2010-01-18	0° ±3°	0.XXX ±
Appr	JOEY NG	2010-01-18	Product family	ECN S10-0205
			Spec ref -	
FCI		title MINITEK II R/A HEADER		Rev. C
catalog no		dwg no 94277		
			CUSTOMER	sheet 1 of 2

CONFIDENTIAL

PRODUCT NO	POS	DIM X	DIM Y
94277-X04	2 X 2	2	4
X06	2 X 3	4	6
X08	2 X 4	6	8
X10	2 X 5	8	10
X12	2 X 6	10	12
X14	2 X 7	12	14
X16	2 X 8	14	16
X18	2 X 9	16	18
X20	2 X 10	18	20
X22	2 X 11	20	22
X24	2 X 12	22	24
X26	2 X 13	24	26
X28	2 X 14	26	28
X30	2 X 15	28	30
X32	2 X 16	30	32
X34	2 X 17	32	34
X36	2 X 18	34	36
X38	2 X 19	36	38
X40	2 X 20	38	40
X42	2 X 21	40	42
X44	2 X 22	42	44
X46	2 X 23	44	46
X48	2 X 24	46	48
X50	2 X 25	48	50

PRODUCT DESCRIPTION CODE :

XXXXX-XXXLF



PLATING	DESCRIPTION
0	0.20µm Au OVER Ni
1	0.76µm Au OVER Ni
3	0.38µm Au OVER Ni
5	0.38µm PdNi W Au FLASH OVER Ni
6	0.76µm PdNi W Au FLASH OVER Ni

NOTES:

- MATERIAL:  
BODY : HIGH TEMPERATURE PLASTIC UL 94V-0 BLACK  
PIN : COPPER ALLOY
- TOLERANCE UNLESS OTHERWISE NOTED ±0.25
- STAND-OFF DESIGN FOR 2X2 POS. REFERS TO FIG. 1.
- P/N:94277-XXXLF IS SAME AS P/N:94277-XXX. THE SUFFIX 'LF' IS ADDED JUST FOR EASY LEAD FREE IDENTIFICATION
- THE HOUSING WILL WITHSTAND EXPOSURE TO 255°C PEAK TEMPERATURE FOR 10 SECONDS IN A CONVECTION, INFRA-RED OR VAPOR PHASE REFLOW OVEN.
- THE HOUSING WILL WITHSTAND EXPOSURE TO 260°C PEAK TEMPERATURE FOR 10 SECONDS IN A WAVE SOLDER APPLICATION WITH A 1.57MM MINIMUM THICK CIRCUIT BOARD.
- THIS PRODUCT MEETS EUROPEAN UNION DIRECTIVES AND OTHER COUNTRY REGULATIONS AS DESCRIBED IN GS-22-008.

8. A  $\triangle C$  SYMBOL WILL BE NEXT TO ANY DIMENSION, VIEW OR NOTE WHICH HAS BEEN MODIFIED WITH THE CURRENT DRAWING REVISION.

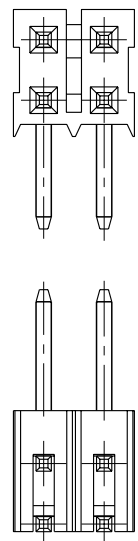
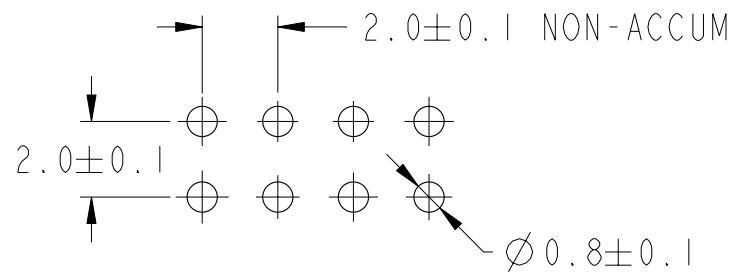


FIG. 1

SEE NOTE 3



RECOMMENDED HOLE LAYOUT  
SCALE 5:1

www.fciconnect.com			surface $\checkmark$ ISO 1302	tolerance std ISO 406 ISO 1101	projection 	MM
			TOLERANCES UNLESS OTHERWISE SPECIFIED			Scale 10:1
Dr	BS LOW	1994-11-18	ANGULAR	0.X	±-	size A3
Eng	BS LOW	1994-11-18	LINEAR	0.XX	±0.25	
Chr	KH LEE	2010-01-18	0° ±3°	0.XXX	±-	ECN S10-0205
Appr	JOEY NG	2010-01-18	Product family		Spec ref	
			MINITEK II R/A HEADER		dwg no 94277	Rev. C
			catalog no	CUSTOMER		sheet 2 of 2

CONFIDENTIAL

## X-ON Electronics

Largest Supplier of Electrical and Electronic Components

*Click to view similar products for [Headers & Wire Housings](#) category:*

*Click to view products by [Amphenol](#) manufacturer:*

Other Similar products are found below :

[95000-104TRLF](#) [10135584-644402LF](#) [DF62W-EP2022PCA](#) [95000-106TRLF](#) [DF62W-2022SCA](#) [DF62W-EP2022PC](#) [2203348](#) [DF62W-2022SC](#) [1084018](#) [1029039](#) [1084017](#) [802-10-012-10-002000](#) [1112640](#) [1112639](#) [891-007-9SS-BST1T](#) [000-34000](#) [0008550134](#) [0009482033](#) [0009507031](#) [57102-F02-18ULF](#) [57102-S06-03LF](#) [57202-S52-04LF](#) [PCN6-15S-2.5E](#) [0039019024](#) [58102-G61-06LF](#) [582553-1](#) [0009485154](#) [0009508121](#) [0022285053](#) [0050291907](#) [018731A](#) [LY20-4P-DT1-P1E-BR](#) [02.125.8002.8](#) [60101931](#) [60598-1 \(Cut Strip\)](#) [M1625-3R/100](#) [61062-3](#) [61082-181009](#) [CSU011177004](#) [636-1427](#) [638009-1](#) [641938-9](#) [641991-4](#) [644168-1](#) [644827-2](#) [647662-1](#) [65039-019ELF](#) [65692-001LF](#) [65781-018](#) [65781-047](#)