



Ordering number	FA11081		
Description	FA11081_Lisa2-M-clip16-OSL		
Family	Lisa2	FWHM	23 degrees
Type	Assembly	Efficiency	90
LED	Oslon SSL 80	cd/lm	-
Color	Black	Gerber File	Available
Diameter	9.9 mm		
Height	7 mm		
Style	Round		
Optic Material	PMMA		
Holder Material	PC		
Fastening	Tape, glue		
Status	Ready		



Ordering number	FA11082		
Description	FA11082_Lisa2-W-clip16-OSL		
Family	Lisa2	FWHM	31 degrees
Type	Assembly	Efficiency	90
LED	Oslon SSL 80	cd/lm	-
Color	Black	Gerber File	Available
Diameter	9.9 mm		
Height	7 mm		
Style	Round		
Optic Material	PMMA		
Holder Material	PC		
Fastening	Tape, glue		
Status	Ready		



Ordering number	FA11083		
Description	FA11083_Lisa2-WW-clip16-OSL		
Family	Lisa2	FWHM	degrees
Type	Assembly	Efficiency	-
LED	Oslon SSL 80	cd/lm	-
Color	Black	Gerber File	Available
Diameter	9.9 mm		
Height	7 mm		
Style	Round		
Optic Material	PMMA		
Holder Material	PC		
Fastening	Glue, tape		
Status	Ready		



Ordering number	FA11084		
Description	FA11084_Lisa2-RS-clip16-OSL		
Family	Lisa2	FWHM	16 degrees
Type	Assembly	Efficiency	89
LED	Oslon SSL 80	cd/lm	-
Color	Black	Gerber File	Available
Diameter	9.9 mm		
Height	7 mm		
Style	Round		
Optic Material	PMMA		
Holder Material	PC		
Fastening	Tape, glue		
Status	Ready		

Lisa2 Lisa2-Clip16-OSL series



Ordering number	FA11120		
Description	FA11120_Lisa2-O-clip16-OSL		
Family	Lisa2	FWHM	48+19 degrees
Type	Assembly	Efficiency	78
LED	Oslon SSL 80	cd/lm	-
Color	Black	Gerber File	Available
Diameter	9.9 mm		
Height	7 mm		
Style	Round		
Optic Material	PMMA		
Holder Material	PC		
Fastening	Tape, glue		
Status	Ready		



Ordering number	FA11857		
Description	FA11857_Lisa2-O-90-clip16-OSL		
Family	Lisa2	FWHM	48+19 degrees
Type	Assembly	Efficiency	-
LED	Oslon SSL 80	cd/lm	-
Color	Black	Gerber File	Available
Diameter	9.9 mm		
Height	7 mm		
Style	Round		
Optic Material	PMMA		
Holder Material	PC		
Fastening	Glue, tape		
Status	Ready		



Ordering number	FA11958		
Description	FA11958_Lisa2-WWW-Clip16-OSL		
Family	Lisa2	FWHM	degrees
Type	Assembly	Efficiency	-
LED	Oslon SSL 80	cd/lm	-
Color	Black	Gerber File	Available
Diameter	9.9 mm		
Height	7 mm		
Style	Round		
Optic Material	PMMA		
Holder Material	PC		
Fastening	Glue, tape		
Status	Ready		

D

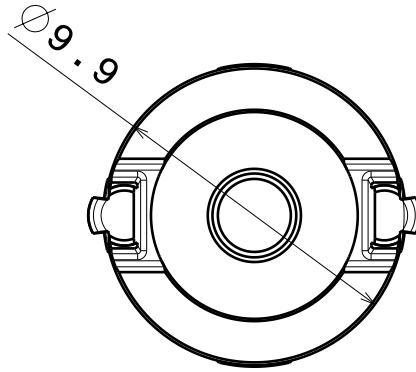
C

B

A

4

4

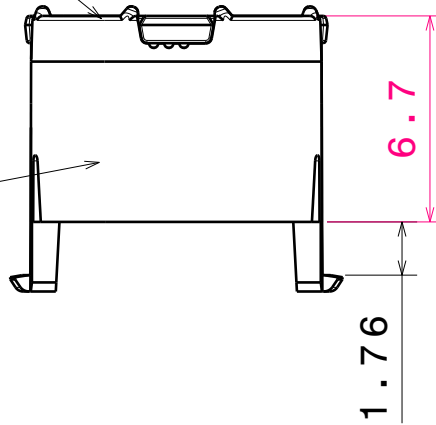


Bottom view

Lens

3

3



Front view

Holder

2

2

Materials:
 Lens PMMA
 Holder PC

1

1

This drawing is our property.
 It can't be reproduced
 or communicated without
 our written agreement.



L
T
F
F

e
e
i
i
N
n

d

h

DRAWING TITLE

Datasheet Lisa2-clip16-0SL series Assy

DRAWN BY

DATE

p

30.12.2009

CHECKED BY

DATE

s

n

23.12.2009

DESIGNED BY

DATE

hh

19.10.2009

SIZE

A4

DRAWING NUMBER

REV

1

SCALE

4:1

WEIGHT (g)

SHEET

1/1

D

A

X-ON Electronics

Largest Supplier of Electrical and Electronic Components

Click to view similar products for [LED Lenses](#) category:

Click to view products by [Ledil](#) manufacturer:

Other Similar products are found below :

[131A-303G](#) [131A-304R](#) [139A-403R](#) [139A-403A](#) [160A-604R](#) [160A-604Y](#) [SMB_200_GTP](#) [SMQ_250_ATP](#) [SMS_172_RTP](#) [SQB_400_ATP](#)
[SSN-LX13049L-CD](#) [SSN-LX18754A](#) [SSN-LX18754C](#) [2817](#) [CLR_301_YTP](#) [CMC_313_ATP](#) [3121](#) [3124](#) [3125](#) [39-30-W03](#) [4623](#) [4745](#)
[4747](#) [3111](#) [3114](#) [3115](#) [3121](#) [3122](#) [3124](#) [3125](#) [4327](#) [4743](#) [4745](#) [4752](#) [4757](#) [SSN-LX690L1-C](#) [SQL_360_YTP](#) [SMQ_250_BTP](#) [3114](#) [3113](#)
[CMS444CTP](#) [1125-227-000](#) [4317](#) [4347](#) [4741](#) [4316](#) [4343](#) [4345](#) [4345](#) [4346](#)