

DIN Rail Terminal Blocks

General Information:

Marathon DIN Rail Terminal Blocks are ideal for various applications such as machine tool controls, distribution and instrumentation installations, switchgear, elevator and panelboard construction.

Insulating Materials:

The moldings are made of Nylon 6/6, Gray. This material has high creepage resistance and high impact strength. It also has a UL 94V-2 flammability rating and is resistant to gasoline, oil, alcohol and many other chemicals.

Temperature Rating: 100°C / 212°F Continuous
170°C / 338°F Intermittent & Short Exposure

Connector System:

The connectors are made of copper alloy and are nickel-plated for corrosion resistance. The screws are rolled steel, zinc plated. The total connector system provides the following benefits:

1. The system ensures that no matter how small the cross section of the wire it can only be inserted into the connection hole.
2. A serrated pressure plate eliminates any wire damage from the torquing of the screw.
3. The upward pressure on the screw from the pressure plate reduces the risk of a screw loosening due to vibration.
4. The pressure plate also compensates for some reduction in contact pressure caused by cold flow in the wire.
5. The design of the pressure plate and its heavy construction eliminates tilting, even with solid wires.
6. The use of rolled rather than turned screw threads provide for the application of higher torque without thread damage.

Reference Chart:

Catalog Number	Page	Amps	Volts	Wire Range	Thickness	Terminals per Foot	Wire Termination Torque
MIK3	123	20	600	#12-#22 AWG	5 mm	60	5
MIK5	124	30	600	#10-#22 AWG	6 mm	50	13.3
MIK10	125	50	600	#8-#22 AWG	8 mm	38	13.3
MIK16	126	65	600	#6-#22 AWG	10 mm	30	18
MIK25	127	85	600	#4-#8 AWG	12 mm	25	53
MIKTS4	128	20	300	#12-#22 AWG	6 mm	-	-
MIKSI5	129	10	300	#10-#20 AWG	8 mm	-	-
MIKE4	129	-	-	#10-#22 AWG	7 mm	-	8.0
MIKE10	129	-	-	#8 AWG	8 mm	-	13.3
MIKE16	129	-	-	#6 AWG	10 mm	-	18

See Page 130 for Identification Labels

MSK35 - End Bracket Securing Torque 7-9 lb-in (.8-1 N-m)

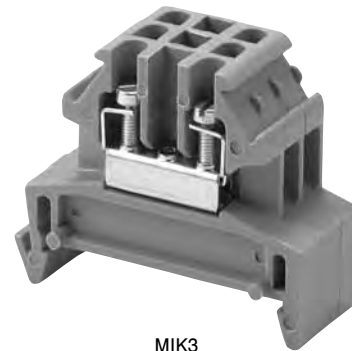
DIN Rail Terminal Blocks

MIK3

5 mm - 600 Volts AC/DC

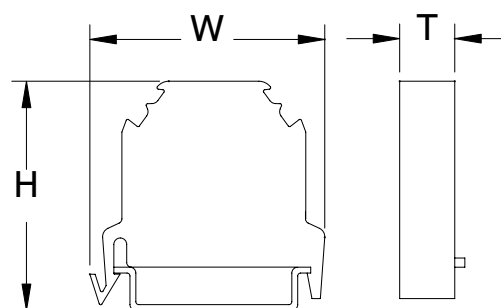
Specifications:

- Insulating Material, Nylon- 6/6, Gray
- Wire Range #12-#22 AWG – 20 Amps
- UL Recognized File No. XCFR2.E62806
- CSA Certified File No. LR700930 - 25 Amps
- VDE – 26 Amps
- CE
- RoHS Compliant



Catalog #	Description
MIK3	Center Section
MN35-2	DIN Rail symmetrical 35 X 7.5 mm slotted 2 m long, steel zinc-plated
MVB2-2	Jumper 2-position
MVB2-12	Jumper 12-position
MVL2-2	Connecting straps for linking together two adjacent 12-pole jumpers
MIW2	Insulating end sections for covering and insulating the last terminal in an assembly
MIW4	Insulating partition walls for visual/electrical separation of terminal groups
MKAW2	Safety cover with warning label for line terminals which cannot be disconnected
MSK35	End bracket used on both ends of the assembly to hold blocks in place

Wire strip length 1/4"



Dimensions:

H = 36 mm (1.417")

W = 42 mm (1.653")

T = 5 mm (.197")

For electronic drawings or 2D/3D CAD data, submit request at www.marathonsp.com/drawings.html

MIK5

6 mm - 600 Volts AC/DC

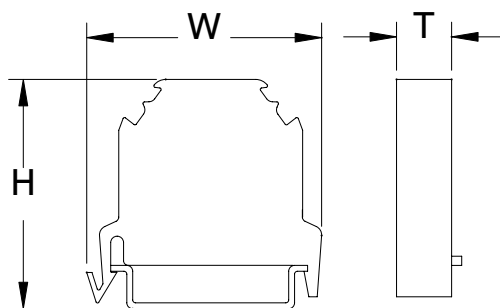
Specifications:

- Insulating Material, Nylon 6/6, Gray
- Wire Range #10-#22 AWG – 30 Amps
- UL Recognized File No. XCFR2.E62806
- CSA Certified File No. LR700930 - 25 Amps
- VDE – 24 Amps
- **CE**
- RoHS Compliant



Catalog #	Description
MIK5	Center Section
MN35-2	DIN Rail symmetrical 35 X 7.5 mm slotted 2 m long, steel zinc-plated
MVB4-2	Jumper 2-position
MVB4-12	Jumper 12-position
MVL4-2	Connecting straps for linking together two adjacent 12-pole jumpers
MSTB2	Plug Sockets - test plugs of 2.3 mm Ø
MPST2	Test Plugs - 2.3 mm Ø
MIW4	Insulating end sections for covering and insulating the last terminal
MIW16	Insulating partition walls for visual/electrical separation of terminal groups
MKAW2	Safety cover with warning label for line terminals which cannot be disconnected
MSK35	End bracket used on both ends of the assembly to hold blocks in place

Wire strip length .30"



Dimensions:

- H = 38 mm (1.496")
- W = 42 mm (1.653")
- T = 6 mm (.236")

For electronic drawings or 2D/3D CAD data, submit request at www.marathonsp.com/drawings.html

DIN Rail Terminal Blocks

MIK10

8 mm - 600 Volts AC/DC

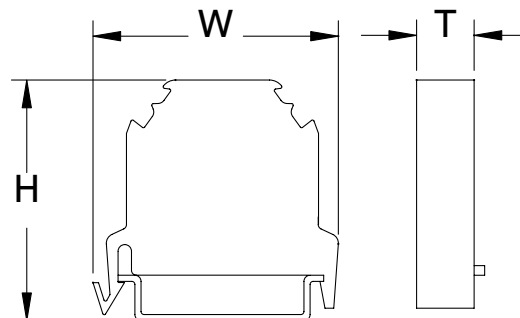
Specifications:

- Insulating Material, Nylon 6/6, Gray
- Wire Range #8-#22 AWG – 50 Amps
- UL Recognized File No. XCFR2.E62806
- CSA Certified File No. LR700930 - 50 Amps
- VDE – 61 Amps
- CE
- RoHS Compliant



MIK10

Catalog #	Description
MIK10	Center Section
MN35-2	DIN Rail symmetrical 35 X 7.5 mm slotted 2 m long / steel zinc-plated
MVB6-2	Jumper 2-position
MVB6-12	Jumper 12-position
MVL6-2	Connecting straps for linking together two adjacent 12 pole jumpers
MSTB2	Plug Sockets- test plugs of 2.3 mm Ø
MPST2	Test Plugs- 2.3 mm Ø
MIW16	Insulating end sections for covering and insulating the last terminal in an assembly
MIW50	Insulating partition walls for visual and electrical separation of terminal groups
MKAW10	Safety cover with warning label for line terminals which cannot be disconnected
MSK35	End bracket used on both ends of the assembly to hold blocks in place



Dimensions:

- H = 44 mm (1.732")
W = 42 mm (1.653")
T = 8 mm (.315")

For electronic drawings or 2D/3D CAD data, submit request at www.marathonsp.com/drawings.html

MIK16

10 mm - 600 Volts AC/DC

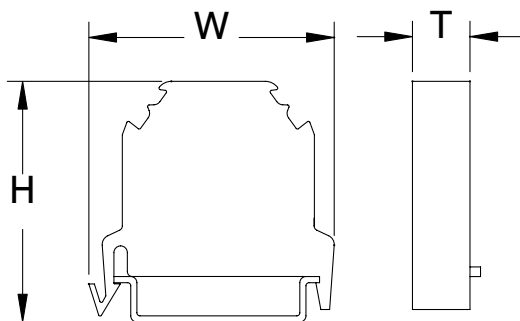
Specifications:

- Insulating Material, Nylon 6/6, Gray
- Wire Range #6-#22 AWG – 65 Amps
- UL Recognized File No. XCFR2.E62806
- CSA Certified File No. LR700930 - 68 Amps
- VDE – 82 Amps
- CE
- RoHS Compliant



MIK16

Catalog #	Description
MIK16	Center Section
MN35-2	DIN Rail symmetrical 35 X 7.5 mm slotted 2 m long / steel zinc-plated
MVB16-2	Jumper 2-position
MVB16-12	Jumper 12-position
MVBL16	Removable connecting jumpers for the connection of adjacent lines
MVL16-2	Connecting straps for linking together two adjacent 12 pole jumpers
MIW16	Insulating end sections for covering and insulating the last terminal in an assembly
MIW50	Insulating partition walls for visual and electrical separation of terminal groups
MKAW16	Safety covers with warning label for line terminals which cannot be disconnected
MSK35	End bracket used on both ends of the assembly to hold blocks in place



Dimensions:

- H = 44 mm (1.732")
 W = 42 mm (1.653")
 T = 10 mm (.394")

For electronic drawings or 2D/3D CAD data, submit request at www.marathonsp.com/drawings.html

DIN Rail Terminal Blocks

MIK25

12 mm - 600 Volts AC/DC

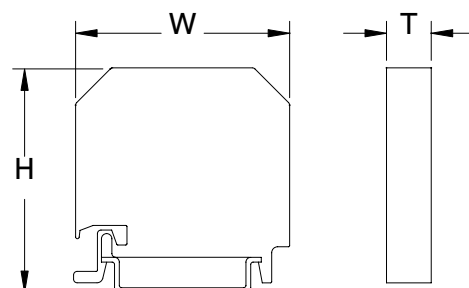
Specifications:

- Insulating Material, Nylon 6/6, Gray
- Wire Range #4-#8 AWG – 85 Amps
- UL Recognized File No. XCFR2.E62806
- CSA Certified File No. LR700930 - 70 Amps
- VDE – 108 Amps
- CE
- RoHS Compliant



MIK25

Catalog #	Description
MIK25	Center Section
MN35-2	DIN Rail symmetrical 35 X 7.5 mm slotted 2 m long, steel zinc-plated
MVB25	Jumpers 2-position
MVL25	Connecting straps- 2 position
MVL25-3	Connecting straps- 3 position
MVBU35	Supports for use under the MVL straps using M 6 X 15 screws
MSTB35	Plug sockets for test plugs of 4 mm Ø
MPST4	Test plugs- 4 mm Ø
MIW50	Insulating end sections for covering and insulating the last terminal in an assembly
MIW70	Insulating partition walls for visual and electrical separation of terminal groups
MKAW25	Safety covers with warning label for supply line terminals which cannot be disconnected
MSK35	End bracket used on both ends of the assembly to hold blocks in place



Dimensions:

H = 48 mm (1.89")
 W = 50 mm (1.97")
 T = 12 mm (.47")

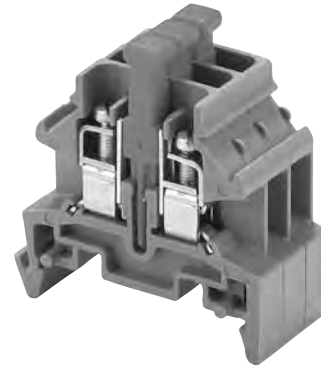
For electronic drawings or 2D/3D CAD data, submit request at www.marathonsp.com/drawings.html

MIKTS4 (Disconnect)

6 mm - 300 Volts AC/DC

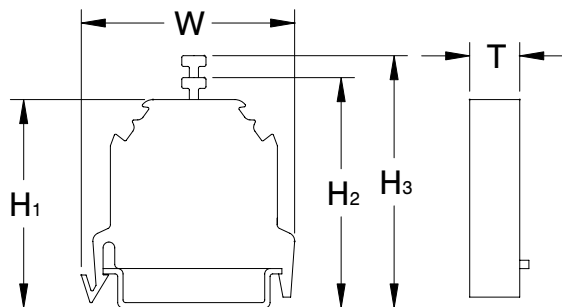
Specifications:

- Insulating Material, Nylon 6/6, Gray
- Wire Range #12-#22 AWG – 20 Amps
- CSA Certified File No. LR700930
- VDE – 16 Amps
- CE
- RoHS Compliant



MIKTS4

Catalog #	Description
MIKTS4	Center Section
MN35-2	DIN Rail symmetrical 35 X 7.5 mm slotted 2 m long / steel zinc-plated
MDSBL (Plug only)	Diode plug - blue with diode 400 Volt, 1 Amp cathode on high voltage side
MDSRT (Plug only)	Diode plug - red with diode 400 Volt, 1 Amp cathode on low voltage side
MPST2	Test Plug- 2.3 mm Ø
MIW4	Insulating end sections for covering and insulating the last terminal in an assembly
MSK35	End bracket used on both ends of the assembly to hold blocks in place



Dimensions:

H1	=	39 mm (1.535")
H2	=	46 mm (1.800")
H3	=	53 mm (2.100")
W	=	42 mm (1.653")
T	=	6 mm (.236")

For electronic drawings or 2D/3D CAD data, submit request at www.marathonsp.com/drawings.html

DIN Rail Terminal Blocks

MIKSI5 (Fused Terminal)

8 mm - 300 Volts AC/DC

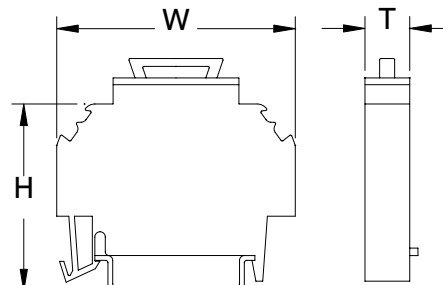
Specifications:

- Insulating Material, Nylon 6/6, Gray
- Wire Range #10-#20 AWG – 10 Amps
- VDE - 4 mm²
- IEC - 6.3 Amps
- UL Recognized File No. IZLT2.E35113 – 10 Amps
- Fuse Type - 5 x 20 mm, 5 x 25 mm
- **CE**
- RoHS Compliant



MIKSI5

Catalog #	Description
MIKSI5	Center Section
MN35-2	DIN Rail symmetrical 35 X 7.5 mm slotted 2 m long, steel zinc-plated
MIW50	Insulating partition walls for visual and electrical separation of terminal groups
MSK35	End bracket used on both ends of the assembly to hold blocks in place



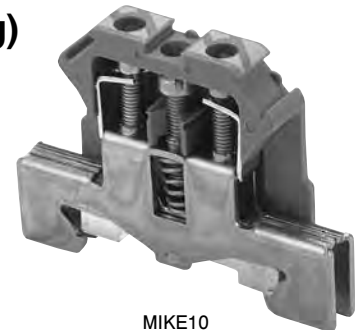
Dimensions:
 H = 47 mm (1.850")
 W = 60 mm (2.362")
 T = 8 mm (.315")

MIKE4, MIKE10, MIKE16 (Grounding Lug)

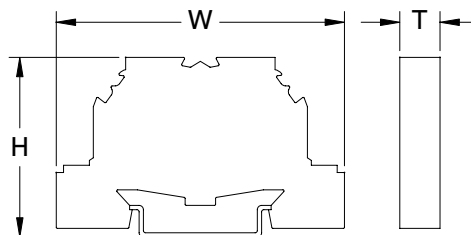
7 mm, 8 mm, 10 mm

Specifications:

- Insulating Material, Nylon 6/6, Green/Yellow
- Wire Range:
 MIKE4 - #10-#22 AWG
 MIKE10 - #8 AWG
 MIKE16 - #6 AWG
- UL Recognized File No. XCFR2.E62806
- CSA Certified File No. LR700930
- VDE
- **CE**
- RoHS Compliant



MIKE10



Dimensions:
 H = MIKE4 38 mm (1.496")
 MIKE10 44 mm (1.771")
 MIKE16 44 mm (1.732")
 W = 56 mm (2.204")
 T = MIKE4 7 mm (.275")
 MIKE10 8 mm (.315")
 MIKE16 10 mm (.394")

For electronic drawings or 2D/3D CAD data, submit request at www.marathonsp.com/drawings.html

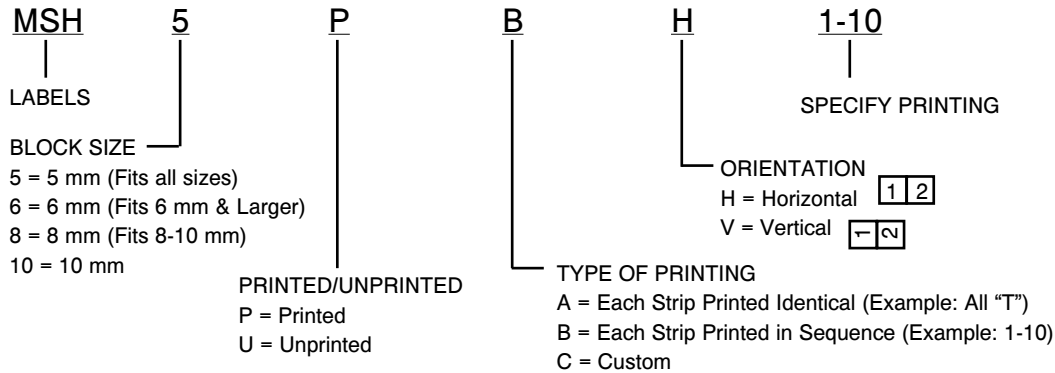
Universal Identification Labels Type MSH

Specifications:

- Strips of Ten
- Large Surface Area
- Available Plain, with Numbers, Letters or Symbols
- Can be Labeled Vertically or Horizontally
- Single Label MSH 5 can be Used for all Sizes
- RoHS Compliant



Ordering Code:



X-ON Electronics

Largest Supplier of Electrical and Electronic Components

Click to view similar products for [Accessories for Robotics and RC](#) category:

Click to view products by [Marathon](#) manufacturer:

Other Similar products are found below :

[56T705](#) [015-9516-002](#) [01.001.6453.0](#) [641763-8](#) [CW106-01X](#) [CW30101A](#) [CW31701A](#) [D2041839](#) [70.352.0628.0](#) [73.353.4028.1](#) [FB22001A](#)
[FB30601A](#) [9009030000](#) [9501](#) [121587-0026](#) [1218510-1](#) [1218629-4](#) [1218630-4](#) [1261000A00M001](#) [128-26-5](#) [RFI77-14](#) [1367251-2](#) [14](#) [1-](#)
[449604-1](#) [1460g4](#) [1470g4](#) [DV0PM20034](#) [MS27488-16-1](#) [MS3057-12A W/B](#) [MS3057-8A-624](#) [MS600-2-XP-1A](#) [MS-602-GEE-14-07C](#)
[MS603-12-01A](#) [MS90376-14R](#) [MS90376-16RB](#) [MTB1-11PH3](#) [1676610000](#) [1A9224 REV A](#) [210-115](#) [CA20L22](#) [2227383-1](#) [225-0090-000](#)
[225-0098-000](#) [KA-89-82](#) [CB20201X](#) [KC-89-104](#) [CB30601A](#) [CB31201A](#) [236-600](#) [CBC120210-752](#)