

Footswitches with single pedal

F1

Protection class IP 65

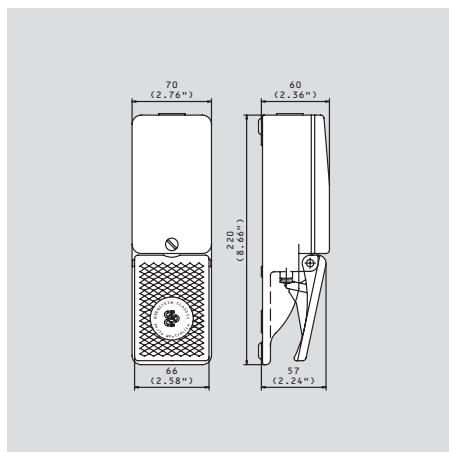


Designation	F1-U1Z	F1-U1Y	F1-SU1Z	F1-SU1 Mi RG
Part number	606.1100.005	606.1100.001	606.1300.011	616.1300.327
Circuit diagram				
Slow make & break/snap action	●/-	●/-	-/●	-/●
Pressure point	-	-	-	-
Latching switch	-	●	-	-
Potentiometer	-	-	-	● 10 kΩ 2 W ²⁾
Pedal interlocking	-	-	-	-
Emergency stop function	-	-	-	-
Power contactor	-	-	-	-
Voltage	500 V AC	500 V AC	500 V AC	250 V AC DC
Permanent current	10 A	10 A	10 A	5 A
In-rush current complies with standards IEC 947-5-1 AC 15/DC 13	●	●	●	●
Switching frequency	50/min.	50/min.	50/min.	20/min.
Mechanical life – number of switching actions	10 x 10 ⁶	10 x 10 ⁶	10 x 10 ⁶	10 x 10 ⁶
Mechanical life – number of revolutions	-	-	-	50 x 10 ³ ³⁾
Operating temperature	-30 °C/+80 °C -22 °F/+176 °F	-30 °C/+80 °C -22 °F/+176 °F	-30 °C/+80 °C -22 °F/+176 °F	-30 °C/+80 °C -22 °F/+176 °F
Approvals	BG, CSA, UL	BG, CSA, UL	BG, CSA, UL	-
Cable entry	1 x M 20	1 x M 20	1 x M 20	1 x M 20
Weight	0.60 kg/1.3 lb	0.60 kg/1.3 lb	0.60 kg/1.3 lb	0.75 kg/1.65 lb
Delivery: ex-stock/built to order	●/-	●/-	●/-	●/-

All dimensions in mm (inch)

²⁾ other resistance figures on request

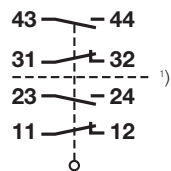
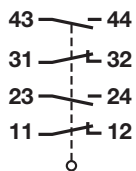
³⁾ number of revolutions available up to 5 x 10⁶





F1-U2Z
606.1200.003

F1-U2Z D
606.1200.007



●/-
-
-
-
-
-

●/-
●
-
-
-
-

500 V AC
10 A
●

500 V AC
10 A
●

50/min.
10 x 10⁶
-

50/min.
10 x 10⁶
-

-30 °C/+80 °C
-22 °F/+176 °F

-30 °C/+80 °C
-22 °F/+176 °F

BG, CSA, UL

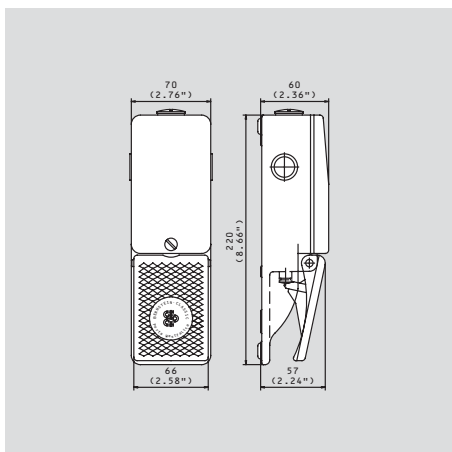
BG, CSA, UL

3 x M 20

3 x M 20

0.60 kg/1.3 lb
●/-

0.70 kg/1.5 lb
●/-



Footswitches with single pedal (guarded)

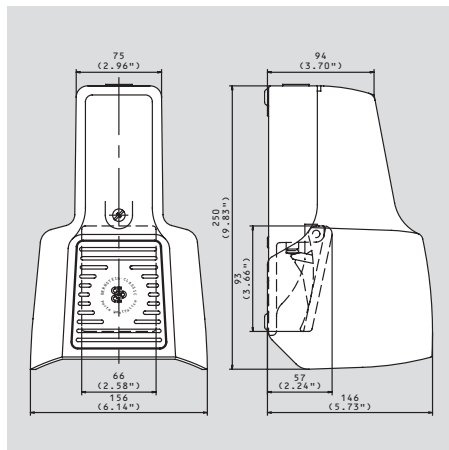
F1 UN

Protection class IP 65



Designation	F1-U1Z UN	F1-U1Y UN	F1-SU1Z UN
Part number	606.1600.006	606.1600.002	606.1800.012
Circuit diagram			
	1) pressure point		
	2) Emergency stop button – self latching		
Slow make & break/snap action	●/–	●/–	–/●
Pressure point	–	–	–
Latching switch	–	●	–
Potentiometer	–	–	–
Pedal interlocking	–	–	–
Emergency stop function	–	–	–
Power contactor	–	–	–
Voltage	max. 500 V AC	max. 500 V AC	max. 500 V AC
Permanent current	max. 10 A	max. 10 A	max. 10 A
In-rush current complies with standards IEC 947-5-1 AC 15/DC 13	●	●	●
Switching frequency	max. 50/min.	max. 50/min.	max. 50/min.
Mechanical life – number of switching actions	10 x 10 ⁶	10 x 10 ⁶	10 x 10 ⁶
Mechanical life – number of revolutions	–	–	–
Operating temperature	min./max. –30 °C/+80 °C –22 °F/+176 °F	min./max. –30 °C/+80 °C –22 °F/+176 °F	min./max. –30 °C/+80 °C –22 °F/+176 °F
Approvals	BG, CSA, UL	BG, CSA, UL	BG, CSA, UL
Cable entry	1 x M 20	1 x M 20	1 x M 20
Weight	1.50 kg/3.3 lb	1.50 kg/3.3 lb	1.50 kg/3.3 lb
Delivery: ex-stock/built to order	●/–	●/–	●/–

All dimensions in mm (inch)



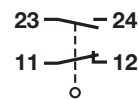
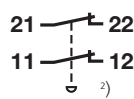
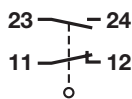
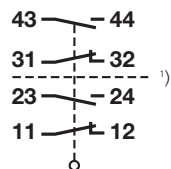
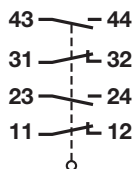


F1-U2Z UN
606.1700.004

F1-U2ZD UN
606.1700.008

F1-U1Z NA2 UN
606.1600.435

F1-U1Z AT UN
616.1600.400



●/-	●/-	●/-	●	●
-	●	-	-	-
-	-	-	-	-
-	-	-	-	●
-	-	●	-	-
-	-	-	-	-

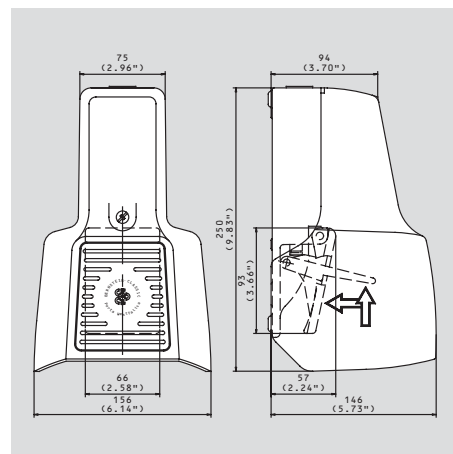
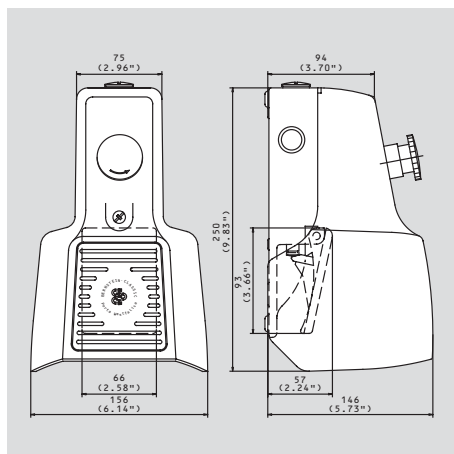
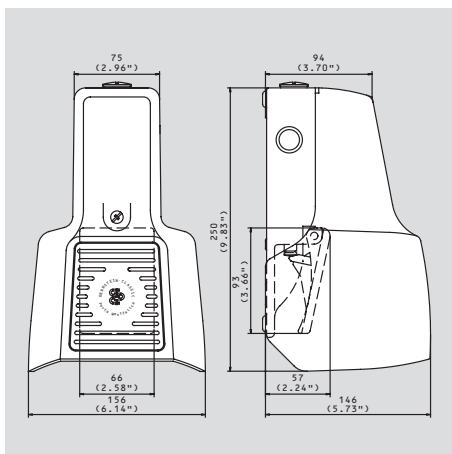
500 V AC	500 V AC	500 V AC	600 V AC	500 V AC
10 A	10 A	10 A	10 A	10 A
●	●	●	-	●

50/min.	50/min.	50/min.	50/min.	50/min.
10 x 10 ⁶	10 x 10 ⁶	10 x 10 ⁶	10 x 10 ⁶	10 x 10 ⁶
-	-	-	-	-
-30 °C/+80 °C	-30 °C/+80 °C	-30 °C/+80 °C	-30 °C/+80 °C	-30 °C/+80 °C
-22 °F/+176 °F	-22 °F/+176 °F	-22 °F/+176 °F	-22 °F/+176 °F	-22 °F/+176 °F

BG, CSA, UL	BG, CSA, UL	BG, CSA, UL	BG, CSA, UL	BG, CSA, UL
-------------	-------------	-------------	-------------	-------------

3 x M 20	3 x M 20	3 x M 20	1 x M 20	1 x M 20
----------	----------	----------	----------	----------

1.50 kg/3.3 lb	1.60 kg/3.5 lb	1.60 kg/3.5 lb	1.50 kg/3.3 lb	1.50 kg/3.3 lb
●/-	●/-	●/-	-/●	-/●



X-ON Electronics

Largest Supplier of Electrical and Electronic Components

Click to view similar products for [9V Battery Snaps & Contacts](#) category:

Click to view products by [Bernstein](#) manufacturer:

Other Similar products are found below :

[139B](#) [173P](#) [266](#) [491-SC36](#) [642-S](#) [1295](#) [12BC2202-GR](#) [2238](#) [2241](#) [2242](#) [2243](#) [227](#) [236](#) [237](#) [2410.0301-01](#) [262](#) [270](#) [271](#) [121-0626/I-GR](#)
[121-0426/IM-GR](#) [121-0626/T-GR](#) [121-0826/T-GR](#) [121-1026/I-GR](#) [12BH617T-GR](#) [123-5025-GR](#) [12BC269-GR](#) [12BH615D-GR](#) [121-](#)
[0624/O-GR](#) [GEM-V36](#) [531-SWHOX](#) [971-SB](#) [T-91-SC3](#) [632-DA](#) [634-DA](#) [636-S](#) [635-S](#) [632S TWIN DIVIDER](#) [3C-30A2-S](#) [3B-30A2-S](#)
[534-SS](#) [491-S](#) [L-2-S](#) [971-SO](#) [972-S](#) [606-1300-011](#) [606-1800-012](#) [616-1800-247](#) [6254-OB](#) [6289-PP](#) [6289-CC](#)