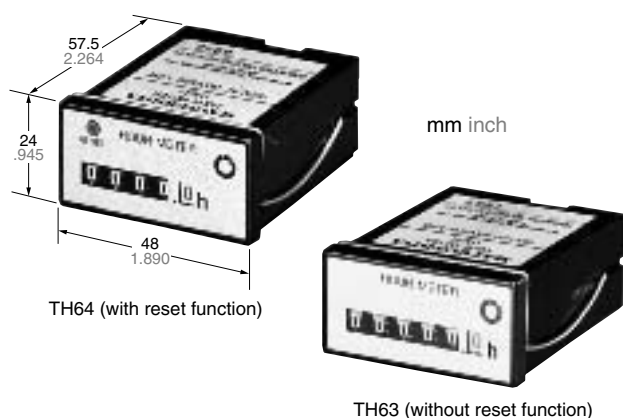


**Panasonic**  
ideas for life

**DIN HALF SIZE  
HOUR METER**

**TH63·TH64**



### 3. Wide-ranging measurement display

The measurement can be displayed from 0.1 hour up to 99999.9 hours (TH63). The dial size is the same as that of 48 × 48 DIN size hour meters (TH14 and TH24 series).

### 4. Easy to install

The flat terminals (#187) are used for easier wiring. There is no need to undo the lock spring.

### 5. High-performance sync motor with 50/60 Hz selector

The noise-resistant, accurately turning motor is employed to provide for longer period of measurement. The power frequency can be selected for 50 or 60 Hz.

### 6. Rotary indicator

NAiS's original moire pattern mechanism helps watch the rotary indicator for quick monitoring (one turn every 72 seconds).

### 7. CE marking

The hour meters satisfy EMC directives (EN50081-2/EN50082-2) and low-voltage directives (EN61010-1).

## FEATURES

#### 1. Compact to save panel space

The 24 × 48 mm hour meters are just half the DIN 48 × 48 standard size. They help save the panel space.

#### 2. Reset button

The hour meters can be reset to zero (TH64).

## TYPICAL APPLICATIONS

Management of small generators and food processing machines; hour counting for leased equipment; maintenance management of various equipment, etc.

## SPECIFICATIONS

Rated operating voltage	12 V AC, 24 V AC, 48 V AC, 100 V AC, 115 to 120 V AC, 200 V AC, 220 V AC, 240 V AC	
Operating voltage range	85 to 115% of rated operating voltage	
Rated frequency	50/60 Hz (selectable by switch)	
Counting range	0 to 99999.9 hours (TH63 series) 0 to 9999.9 hours (TH64 series)	
Minimum time display	0.1 hours (6 min)	
Rated power consumption	Approx. 1.5 W	
Initial insulation resistance (At 500 V DC)	Min. 100 MΩ Between live and dead metal parts	
Initial breakdown voltage	2,000 Vrms Between live and dead metal parts	
Max. temperature rise	55°C 131°F	
Vibration resistance	Functional	10 to 55 Hz: 1 cycle/min double amplitude of 0.5 mm (10 min on 3 axes)
Shock resistance	Functional	Min 98 m/s <sup>2</sup> {10 G} (4 times on 3 axes)
	Destructive	Min 980 m/s <sup>2</sup> {100 G} (5 times on 3 axes)
Ambient temperature	-10 to +50°C +14 to +122°F	
Ambient humidity	Max. 85% RH	
Weight	Approx. 80 g 2.82 oz	

## PRODUCT TYPE

Type	Rated operating voltage	Part No.	Rated operating voltage	Part No.	Rated operating voltage	Part No.
TH63 types (without reset)	100V AC	TH631	24V AC	TH634	115 to 120V AC	TH637
	200V AC	TH632	48V AC	TH635	220V AC	TH638
	12V AC	TH633	110V AC	TH636	240V AC	TH639
TH64 types (with reset)	100V AC	TH641	24V AC	TH644	115 to 120V AC	TH647
	200V AC	TH642	48V AC	TH645	220V AC	TH648
	12V AC	TH643	110V AC	TH646	240V AC	TH649

Notes: 1. Only the metallic-looking panel-mounting type is available.

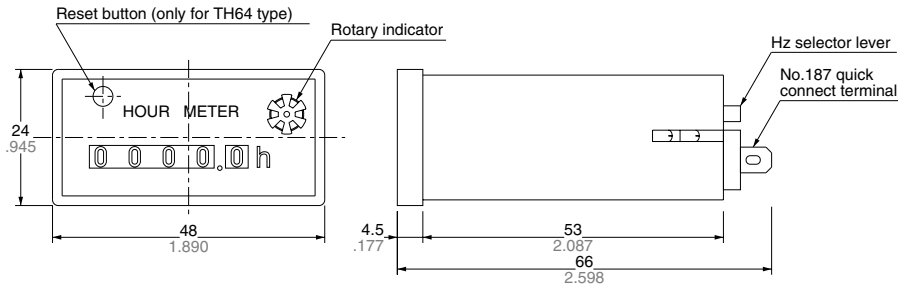
2. Standard products are UL-recognized as well as CSA-certified. There is no need to add "U" at the end of the part No. Just specify the standard part No. when ordering.

3. If you want the CE marking on your products, specify "CE" at the end of the part No. when ordering.

# TH63·TH64

## DIMENSIONS

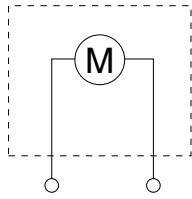
General tolerance:  $\pm 0.5 \pm .020$  mm inch



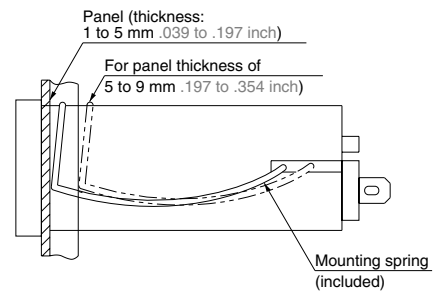
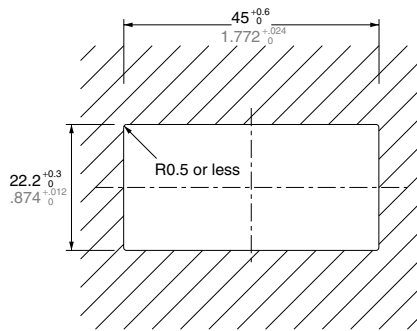
## WIRING DIAGRAM

### • Panel cutout

mm inch



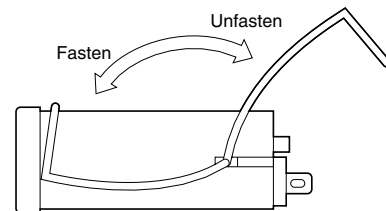
Operating power supply



## MOUNTING

1. Cut a  $22.2^{+0.3}_0 \times 45^{+0.6}_0$  mm ( $.874^{+0.012}_0 \times 1.772^{+0.024}_0$  inch) opening in the panel.
2. Swing the mounting spring to the rear of the hour meter and fit the hour meter into the panel opening. (There is no need to detach the mounting spring from the hour meter.) If the panel is 5 to 9 mm .197 to .354 inch thick, move the mounting spring to the other hole toward the rear of the hour meter.

3. Swing the mounting spring to the front of the hour meter to secure the hour meter to the panel.
4. Wire the supplied quick connectors and connect to the hour meter. Be sure to use the supplied insulating sleeves to cover the connectors.



## X-ON Electronics

Largest Supplier of Electrical and Electronic Components

*Click to view similar products for [panasonic](#) manufacturer:*

Other Similar products are found below :

[ECE-A1HKAR47](#) [ELK-EA102FA](#) [ELC-09D151F](#) [EEC-S0HD224H](#) [ELL-5PS3R3N](#) [HC2-H-DC48V-F](#) [HL2-HP-AC120V-F](#) [HL2-H-DC12V-F](#) [HL2-HP-DC12V-F](#) [HL2-HP-DC6V-F](#) [HL2-HP-DC24V-F](#) [HC4-H-DC24V](#) [HL2-HTM-DC24V-F](#) [HL2-HTM-AC24V-F](#) [HC4-H-AC24V](#) [HC4-H-AC120V](#) [EEC-RG0V155H](#) [AZH2031](#) [RP-SDMF64DA1](#) [EEF-UD0K101R](#) [EVM-F6SA00B55](#) [RP-SMLE08DA1](#) [ELC-12D101E](#) [ERA-3YEB272V](#) [EEC-RF0V684](#) [ERA-3YEB153V](#) [ELC-3FN2R2N](#) [ERA-3YEB512V](#) [ERJ-1GEJ564C](#) [ERZ-V20R391](#) [ETQ-P3W3R3WFN](#) [ELL-ATV681M](#) [ELK-EA100FA](#) [EEF-UD0J101R](#) [LC-R121R3P](#) [ERA-3YEB303V](#) [ERZ-V05V680CB](#) [EEF-UE0K101R](#) [ELK-E101FA](#) [EEC-S0HD224V](#) [EVQ-PAC05R](#) [ELK-EA222FA](#) [LT4H-DC24V](#) [LT4HL8-AC24V](#) [LT4HW-AC24V](#) [LT4HWT8-AC240V](#) [LT4HWT-AC240VS](#) [CX-444-P-Z](#) [CY-122A-P](#) [ETQ-P5M470YFM](#)