

Category 5e Shielded Keystone Panel Mount Coupler



Category 5e Shielded Keystone Panel Mount Coupler (FACK2S)

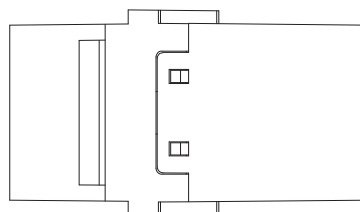
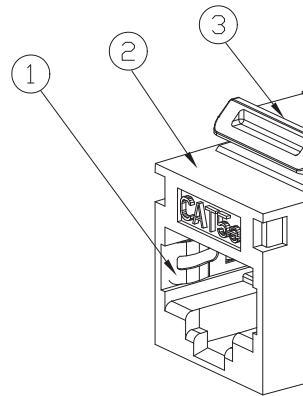
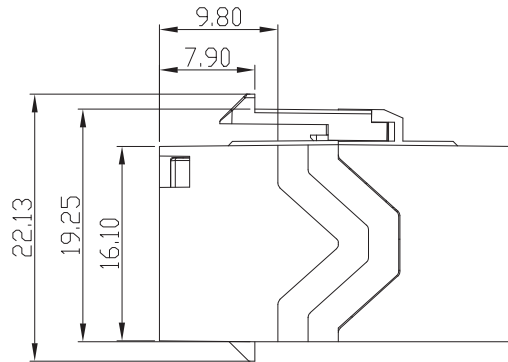
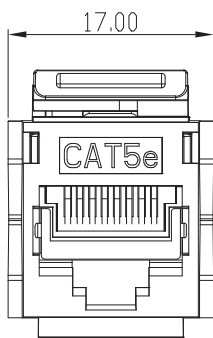
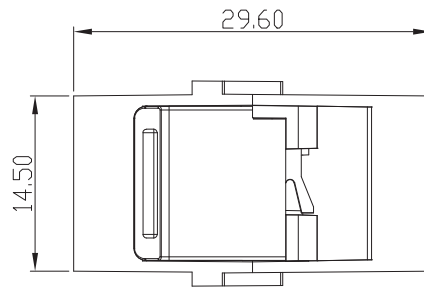
Features

- Designed to fit industry standard keystone outlets, wall plates and patch panels
- High performance data throughput, meets Category 5e data transfer rates
- Unshielded versions available
- Plug insertion life ≥ 750 times
- Operating temperature: $-40^{\circ}\text{C} \sim +66^{\circ}\text{C}$
- Fully loaded 16 and 24 port patch panels available with or without cable management
- Available as part of our innovative panel mount and D UNIVERSAL ranges

Specifications

- Housing: Nickel plated zinc alloy
- Contacts: Phosphor bronze, $50\mu\text{m}/1.27\mu\text{m}$ gold plated over contact area
- Colour: Silver
- Dimensions: approx 29.7 x 17 x 16.1 mm
- Weight: approx 17g
- Earthing lug material: Stainless steel SUS304

ROHS Compliant



ELECTRICAL
CURRENT RATING : 1.5A
DIELECTRIC WITHSTANDING
INSULATION RESISTANCE :
CONTACT RESISTANCE : 20mΩ
MECHANICAL
(1) Earthing lug material: Nickel
(2) Front cover: Nickel
(3) LATCH: PC FR
(4) Bottom cover: Nickel

X-ON Electronics

Largest Supplier of Electrical and Electronic Components

Click to view similar products for [Modular Connectors](#) / [Ethernet Connectors](#) category:

Click to view products by [Tuk](#) manufacturer:

Other Similar products are found below :

[RJE231881317T](#) [MP1010RX-1000](#) [MP44RX-1000](#) [GAX-3-66](#) [GAX-8-62](#) [93606-0253](#) [GD-A-44](#) [GDCX-PA-66-50](#) [GDCX-PN-64](#) [GDCX-PN-66](#) [GDCX-PN-66-50](#) [GDLX-A-66](#) [GDLX-A-88](#) [GDLX-N-66](#) [GDLX-S-88K](#) [GDTX-S-88-50](#) [GDX-PA-1010](#) [GLX-N-1010M-BLK](#) [GLX-N-44M](#) [GLX-S-88M-BLK](#) [GMX-N-1010](#) [GMX-S-1010](#) [GMX-S-66](#) [GMX-SMT2-N-1010](#) [GMX-SMT2-N-64-50](#) [GMX-SMT2-S6-88](#) [GMX-SMT4-N-88](#) [GPX-2-64](#) [GRT1-BT1-5](#) [GSGX-N-2-88](#) [GSX-NS2-88-3.05](#) [GSX-NS2-88-3.05-50](#) [GSX-NS-88-3.05-30](#) [GSX-NS-88-3.05-50](#) [GSX-NS-88-3.68](#) [1-1775629-2](#) [GWLX-S-88-GR](#) [GWLX-S9-88-YG](#) [1300500326](#) [1300500227](#) [1300530003](#) [1300570002](#) [1324640-4](#) [RJ11FTVC2G](#) [RJ11FTVC2N](#) [RJFTVX2SA1G](#) [132764-001](#) [1400000](#) [1413176](#) [1413235](#)