

PLEASE CHECK WWW.MOLEX.COM FOR LATEST PART INFORMATION

Part Number: [120074-0241](#)
Status: **Active**
Overview: Brad® Micro-Change® (M12) Connectors
Description: Micro-Change® (1/2" - 20 UNF) US Dual Keyway Receptacle, 6 Poles, 1/4" - 18 NPT Mounting Threads, Male (Straight) to 22 AWG PVC Leads, 0.305m (1.0') Length

Documents:

[Drawing \(PDF\)](#) [RoHS Certificate of Compliance \(PDF\)](#)

Agency Certification

CSA LR6837
 UL E152210

General

Product Family Industrial Receptacles
 Series [120074](#)
 IP Rating IP67
 NEMA Rating NEMA 6
 Overview [Brad® Micro-Change® \(M12\) Connectors](#)
 Product Name Micro-Change® (1/2" - 20 UNF)
 Type Single Ended (pigtail)
 UPC 78678821757

Physical

Coupling Type External Thread
 Gender Male
 Keyway Dual
 Length 0.305m
 Material - Component Gray Anodized Aluminum
 Mounting Thread Size 1/4" - 18 NPT
 Orientation Straight
 Panel Mount Front
 Poles 6
 Temperature Range - Operating -20°C to +80°C
 Wire Size AWG 22
 Wire/Cable Type Leads, UL 1061

Electrical

Current - Maximum per Contact 4.0A
 Voltage - Maximum 250V AC/DC

Material Info

Old Part Number 7R6A06A19A120

Reference - Drawing Numbers

Sales Drawing SD-120074-030

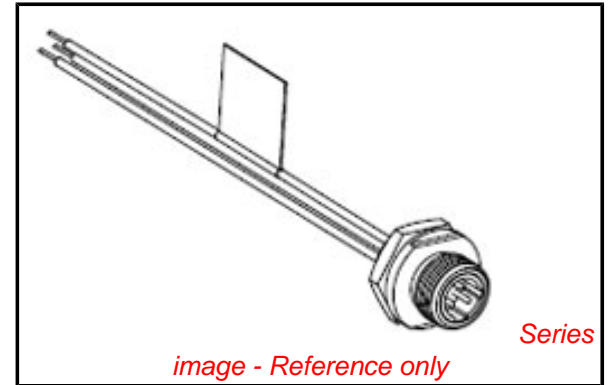


image - Reference only

EU RoHS

**ELV and RoHS
Compliant**

REACH SVHC

Not Reviewed

Low-Halogen Status

Not Reviewed

China RoHS



**Need more information on product
environmental compliance?**

Email productcompliance@molex.com
 For a multiple part number RoHS Certificate of Compliance, [click here](#)

Please visit the [Contact Us](#) section for any non-product compliance questions.

Search Parts in this Series

120074Series

X-ON Electronics

Largest Supplier of Electrical and Electronic Components

Click to view similar products for [brad](#) manufacturer:

Other Similar products are found below :

[1302011227](#) [1300700019](#) [1300640196](#) [1300390284](#) [1300250287](#) [1200660687](#) [120027-0153](#) [1200661044](#) [1200661039](#) [404006A10M040](#)
[120084-0016](#) [1300061349](#) [805000A09M050](#) [1300170023](#) [120065-0951](#) [1200670231](#) [1300130315](#) [1200860107](#) [1200651555](#) [1200660279](#)
[1300250067](#) [1200660695](#) [1300100865](#) [1200660697](#) [1300100493](#) [1300100496](#) [1300100497](#) [1300100498](#) [1300100499](#) [1300100884](#)
[1300100886](#) [1300640206](#) [1200651642](#) [1300640221](#) [120248-0500](#) [112095-5119](#) [121064-0568](#) [120068-8009](#) [130010-0864](#) [120086-8657](#)
[1300061438](#) [1300100869](#) [8A5000-325](#) [1200860122](#) [1200700207](#) [1200720171](#) [1300270017](#) [1300100488](#) [1300100868](#) [1300100494](#)