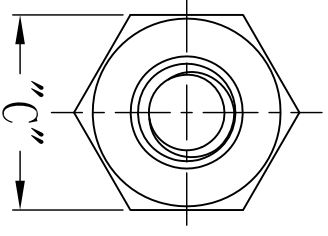
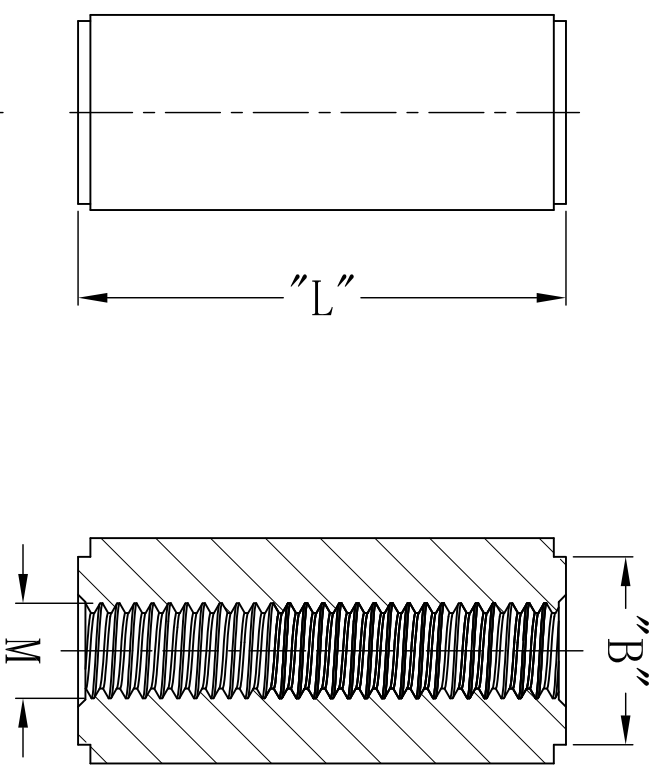


DO NOT SCALE DRAWING

REVISIONS				
ZONE	REV.	DESCRIPTION	DATE	APPROVED
A		DRAWN	08-09-2013	



Part Name	"B"	"C"	"L"	M
FAHNSGFFM3-5-6			5	M
FAHNSGFFM3-10-6			10	M
FAHNSGFFM3-12-6	5.85	6	12	M3
FAHNSGFFM3-15-6			15	M
FAHNSGFFM3-20-6			20	M
FAHNSGFFM4-10-8			10	M
FAHNSGFFM4-12-8			12	M
FAHNSGFFM4-15-8	7.8	8	15	M4
FAHNSGFFM4-20-8			20	M
FAHNSGFFM6-10-10			10	M
FAHNSGFFM6-12-10			12	M
FAHNSGFFM6-15-10	9.7	10	15	M6
FAHNSGFFM6-20-10			20	M

NOTES



DESIGN RIGHT. TR FASTENINGS LTD. 2003
 UNDER NO CIRCUMSTANCES MUST THIS
 DRAWING BE COPIED OR DISCLOSED,
 WITHOUT FIRST OBTAINING WRITTEN
 AUTHORITY.

UNLESS OTHERWISE SPECIFIED:
 DIMENSIONS ARE IN MILLIMETERS.
 SURFACE FINISH:
 TOLERANCES:
 15<L<50 = ±0.3 50<L<100 = ±0.4
 154 = ±0.1 4<L<15 = ±0.2

NAME	DATE
DRAWN: MARIN ELLIOTT	08/09/2013
CHKD:	
APP'D:	

MATERIAL
 PA6 with 30% GLASS FILLED UL94HB
 ROHS COMPLIANT

HEAT TREATMENT
 N/A

TITLE
 HEX Threaded Standoff

CUSTOMER PART NO.

FINISH
 Black

DWG NO.
 FAHNSGFFM#-XX-XX

A3

X-ON Electronics

Largest Supplier of Electrical and Electronic Components

Click to view similar products for [tr fastenings manufacturer](#):

Other Similar products are found below :

[3.030PRST30TC1D](#) [5.020PRST30TC1D](#) [5.020FLST30TC1D](#) [M840 KHHTMCS50-](#) [M6-UHBRHESF](#) [M660 SOHTCSS100-](#) [M620 SOHTCSS100-](#) [M612 KHHTMCZ50-](#) [M620 KHA2MCS50-](#) [M540 PSSTMCZ100-](#) [M525 SOHTCSZ100-](#) [M520 PSSTMCZ100-](#) [M510 KHHTMCZ50-](#) [M4- FABRWAN100-](#) [M416 SOHTCSS100-](#) [M440 SOA2CSS50-](#) [M430 SOHTCSZ100-](#) [M3-UHBRFLSF](#) [M1025 SOHTCSZ50-](#) [TRRLCBSR-7-01](#) [M412PSSTM CB100-](#) [M6 40 HH88BL Z100](#) [M6 16 M4A2MC S50 BUT T30](#) [H0.250 25 M4STPB SF T25](#) [H0.250 M7STPB SF HEX 4.0](#) [W/M8/REDE/OE/ST/KG](#) [W/M6/REDE/OE/ST/PG](#) [W/M5/FLG/CE/ST/KG](#) [N61.250 PRA2ABS100-](#) [M8 8 HSHTKC SF -](#) [N81.250 PRA2ABS100-](#) [TRFAKIT0009](#) [M830 SOHTCSS100-](#) [M820 SOHTCSS100-](#) [M6- N5A4-S50-](#) [M680 SOHTCSS100-](#) [M616 BHA2MCS100-](#) [M610 HHHTSCZ100-](#) [M6- DNST-Z100-](#) [M620 PRSTM CB100-](#) [M550 PSSTMCZ100-](#) [M516 PRA2MCS100-](#) [M550 PSA2MCS50-](#) [M530 SOHTCSZ100-](#) [M4- DNST-Z100-](#) [M425 PSSTMCZ100-](#) [M410 KHHTMCZ50-](#) [M430 SOHTCSS100-](#) [M3- SQST-Z100BS4183](#) [M312 HSA2PCS50-](#)