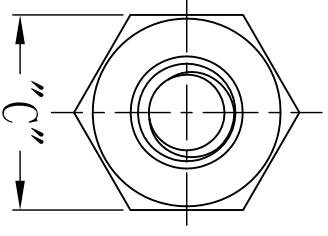
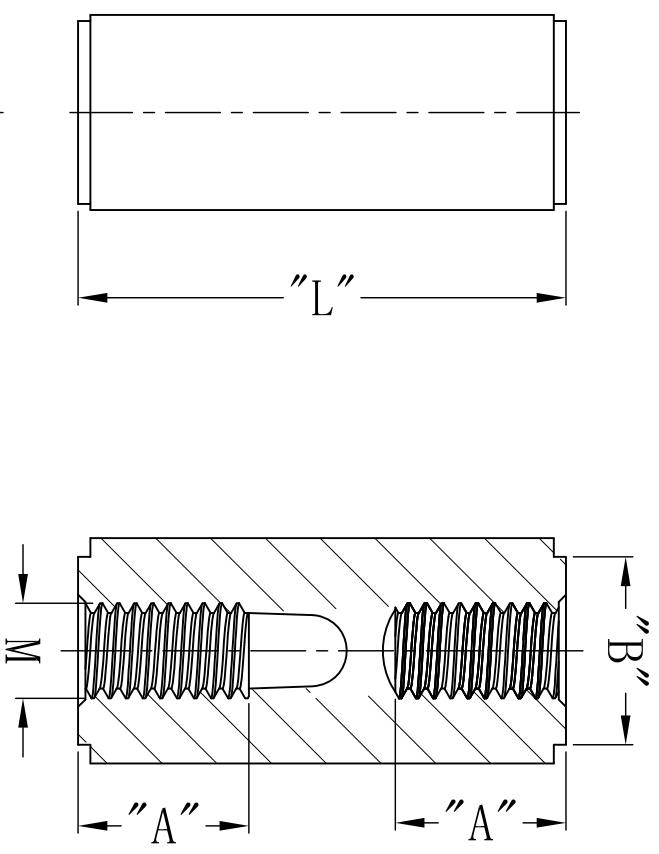


DO NOT SCALE DRAWING

REVISIONS				
ZONE	REV.	DESCRIPTION	DATE	APPROVED
A		DRAWN	08-08-2013	



Part Name	"A"	"B"	"C"	"L"	M
FAHNSNGFFM3-25-6	10	5.85	6	25	M3
FAHNSNGFFM3-30-6				30	
FAHNSNGFFM4-25-8	10	7.8	8	25	M4
FAHNSNGFFM4-30-8				30	
FAHNSNGFFM6-25-10	10	9.7	10	25	M6
FAHNSNGFFM6-30-10				30	

UNLESS OTHERWISE SPECIFIED:  
 DIMENSIONS ARE IN MILLIMETERS.  
 SURFACE FINISH:  
 TOLERANCES:  
 15<L<50 = ±0.3 50<L<100 = ±0.4  
 15<L<50 = ±0.1 4<L<15 = ±0.2



DESIGN RIGHT. TR FASTENINGS LTD. 2003  
 UNDER NO CIRCUMSTANCES MUST THIS  
 DRAWING BE COPIED OR DISCLOSED,  
 WITHOUT FIRST OBTAINING WRITTEN  
 AUTHORITY.

NAME	DATE
DRAWN	08/08/2013
CHKD	MARIN BILLOTT
APPR'D	

MATERIAL  
 PA6 with 30% GLASS FILLED U194HB  
 ROHS COMPLIANT

HEAT TREATMENT  
 N/A

TITLE  
 HEX Threaded Standoff

NOTES

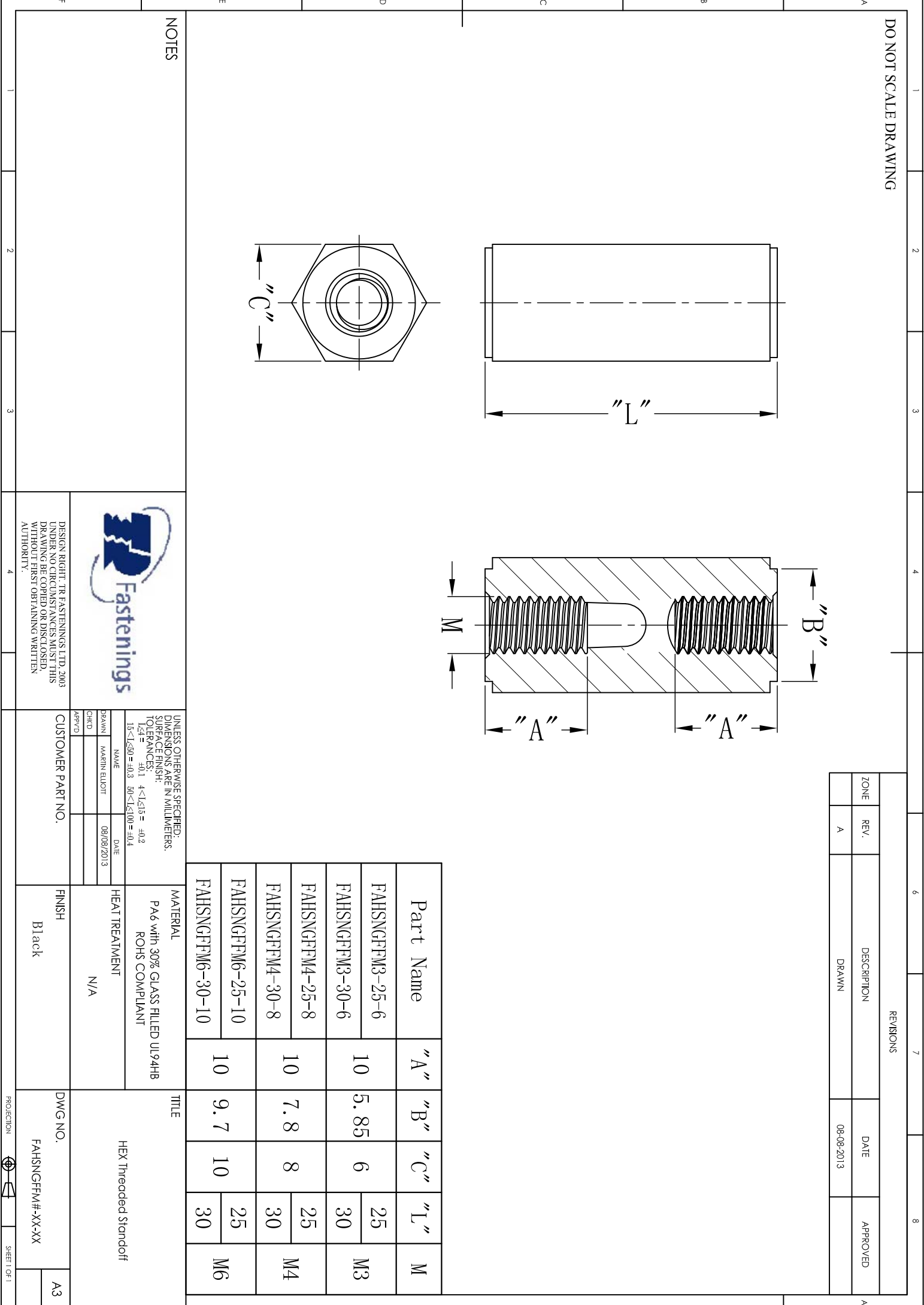
CUSTOMER PART NO.

FINISH  
 Black

DWG NO.  
 FAHNSNGFFM#-XX-XX

PROJECTION

SHEET 1 OF 1



## X-ON Electronics

Largest Supplier of Electrical and Electronic Components

*Click to view similar products for [tr fastenings manufacturer](#):*

Other Similar products are found below :

[3.030PRST30TC1D](#) [5.020PRST30TC1D](#) [N80.750 PRA2ABS100-](#) [M840 KHHTMCS50-](#) [M830 SOHTCSZ50-](#) [M660 SOHTCSS100-](#) [M620 SOHTCSS100-](#) [M612 KHHTMCZ50-](#) [M610 HHA2SCS100-](#) [M620 KHA2MCS50-](#) [M540 PSSTMCZ100-](#) [M516 PSSTMCZ100-](#) [M525 SOHTCSZ100-](#) [M520 PSSTMCZ100-](#) [M510 KHHTMCZ50-](#) [M4- FABRWAN100-](#) [M440 SOA2CSS50-](#) [M430 SOHTCSZ100-](#) [M3- DNST-Z100-](#) [M26 HSHTPCS25-](#) [M1025 SOHTCSZ50-](#) [TRRLCBSR-7-01](#) [M46PTSTMCZ100-](#) [M412PSSTM CB100-](#) [M6 40 HH88BL Z100](#) [M4 25 M4A2MC S50 BUT T20](#) [M6 16 M4A2MC S50 BUT T30](#) [H0.250 25 M4STPB SF T25](#) [H0.250 M7STPB SF HEX 4.0 W/M8/REDE/OE/ST/KG](#) [W/M6/REDE/OE/ST/PG](#) [W/M5/FLG/CE/ST/KG](#) [N61.250 PRA2ABS100-](#) [M8 8 HSHTKC SF -](#) [N81.250 PRA2ABS100-](#) [TRFAKIT0009](#) [M830 SOHTCSS100-](#) [M820 SOHTCSS100-](#) [M6- N5A4-S50-](#) [M680 SOHTCSS100-](#) [M610 HHHTSCZ100-](#) [M6- DNST-Z100-](#) [M620 PRSTM CB100-](#) [M550 PSSTMCZ100-](#) [M516 PRA2MCS100-](#) [M512 BHHTMCS100-](#) [M530 SOHTCSZ100-](#) [M520 HHHTSCZ100-](#) [M4- DNST-Z100-](#) [M425 PSSTMCZ100-](#)