



HOBS: HOUR METERS



If you have not found what you are looking for or you have further questions, please feel free to call us at 217-753-7797 or fax us at 217-753-7789. It will help us process your request more efficiently and effectively if you can provide as much detailed information about your requirements/application as possible.

Thanks for considering Hobbs meters from Honeywell!

MANUFACTURING

Honeywell Hobbs' commitment to the customer in past years and present is what has helped us develop our world-class manufacturing systems. Some of the methods by which we continuously improve our products and processes are as follows:

- Six Sigma methodology is a strategy used to accelerate improvements in our processes, products and services, and to reduce manufacturing costs and improve quality. It achieves this by relentlessly focusing on eliminating waste and reducing defects and variations.
- Continuous Flow Process utilizing "Rabbit Chase" concepts are used in the focused factories in order to achieve the lowest total cost, defect-free product.
- Single Minute Exchange of Dies (SMED method) provides reduced time in molding cell.
- Statistical Process Control is used for measuring critical dimensions and controlling manufacturing processes.
- Poka-Yoke method and computerized test equipment are utilized to eliminate scrap and rework.
- Kanban cards are used to pull raw material and piece parts through the factory.
- Bar coding and electronic data interchange (EDI) are available.

QUALITY SYSTEMS

It is the goal of Honeywell Hobbs to meet customer value-needs through continuously improved products and processes. That is the basis by which we work to create a partnership with our customers. Evidence of our commitment is proven by a goal of a Shipped Product Quality Level (SPQL) of 100 ppm. We utilize Advanced Quality Planning and QS9000 based quality systems.

© 2003 Honeywell International Inc. All Rights Reserved.

Sensing and Control
www.honeywell.com/hobbs
email: www.honeywellhobbs.marketing@honeywell.com
Honeywell
P.O. Box 19424
Springfield, IL 62794-9424
USA
Catalog 20-1103, GLO Printed in the USA

Hobbs Brand Products Offered By Honeywell

Honeywell

Custom Instrument Panel Clusters

Let Hobbs custom design your display panel saving you time and money. We can assemble a panel to your specifications that frees up your engineering resources, reduces parts counts and reduces your vendor base.



Warranty and remedy

Honeywell warrants goods of its manufacture as being free of defective materials and faulty workmanship. Contact your local sales office for warranty information. If warranted goods are returned to Honeywell during the period of coverage, Honeywell will repair or replace without charge those items it finds defective. The foregoing is Buyer's sole remedy and is in lieu of all other warranties, expressed or implied, including those of merchantability and fitness for a particular purpose.

While we provide application assistance, Honeywell does not warrant, either expressly or impliedly, that the product will be suitable for the application. It is up to the customer to determine the suitability of the product in the application. Specifications may change at any time without notice. The information we supply is believed to be accurate and reliable as of this printing. However, we assume no responsibility for its use.

Sales and Service

Honeywell serves its customers through a worldwide network of sales offices and distributors. For application assistance, current specifications, pricing or name of the nearest Authorized Distributor, contact a nearby sales office or

INTERNET: www.honeywell.com/hobbs

E-mail:

honeywellhobbs.marketing@honeywell.com

Warranty Periods:

98000 Series..... 2 years
85000 Series..... 2 years
20000 Series..... 2 years

Other AC and DC Meters Available



Round Flush with Retainer Mount



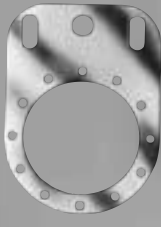
Round Slotted 3 screw



Contact Hobbs for more information and specifications on above meters.

Hour Meter Accessories

Mounting brackets. For mounting hour meters in any location when panel installation is not practical. Multiple holes allow positioning for easy reading. Foot of bracket can be bent when necessary. Part Number M-329 (2 13/16" x 4") for meter only. Part Number M-558 (4" x 5 1/8") when meter and damper are used together.



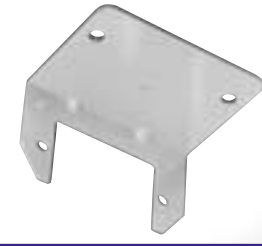
Damper. Protects meter from severe vibration. Use on panel or with Part Number M-558 bracket. Part Number M-3888 (3 7/8" dia.) for three-screw type DC meters.



Panel mounting bracket. Designed to bolt to a flat surface area 2 13/16" x 5 1/4". Provides easy-to-read meter position. Part Number M-486 for three-screw type DC meter only.



Angle bracket. For two-screw flange AC and DC rectangular meters only, when panel mounting is not practical. Part Number 23944.



Contents:	
• LCD	P. 3-5
• D.C.	P. 6-7
• A.C.	P. 8-11
• Accessories	P. 11
• Warranty	P. 11

The Hobbs brand is well known worldwide for the development of quality electro-mechanical products. The invention of the first electrically wound automobile clock in 1938 created what is now known as Honeywell Hobbs. John Weston Hobbs was the inventor that cultivated this electrically-wound vehicle clock into a company that has over the years expanded to include hour meters, pressure and vacuum switches, halogen lamps, transmission shifters, and other custom electro-mechanical products. Honeywells' broad customer and market base includes industries such as automotive, agricultural, material handling, construction, marine, medical, heavy truck, lawn and garden, recreational, generators, compressors and aviation. Honeywells' commitment to continuous improvement and total quality management will allow for further expansion of its product lines and customer base while maintaining the highest standards of excellence.

28100 Series

Unlike conventional AC hour meters that are limited to one primary voltage and frequency, the Hobbs Multi-Range Quartz hour meter will operate over a full range of voltages and frequencies. The meter will work accurately over a voltage range of 90 VAC to 264 VAC and at frequencies of either 50 Hz or 60 Hz. This unique feature means that one hour meter will work for virtually any application anywhere in the world!

Specifications

- Operating Voltage: 90 to 264 VAC
- Frequencies: 50 to 60 Hz
- Temperature Range: -40°F to +185°F

Features

- Records time 0 to 99,999.9 hours
- Accuracy ±0.02%
- UL Recognized
- CSA (UL)
- CE Mark

- Totally sealed from dirt and moisture
- Termination - 1/4" spade

Benefits

- Reduced parts count
- Reduced inventories
- Fewer purchase orders
- Eliminate production line errors
- Reduce service parts
- Wire leads
- Custom lens
- Terminals (up, down, straight)

WARNING!

Applied voltage not to exceed 264 Vac RMS. This meter was not intended to be used in applications where excessive transient voltages are present. It is the responsibility of the customer to determine the suitability of this device for use in their system.

* Panel cutout dimensions are ±.010 tolerance
All dimensions shown in inches and (metric)



Retainer Mount

Operating Voltage	90-264 VAC
Part #	28100



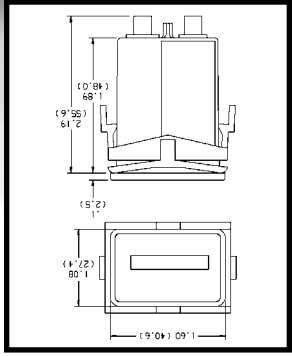
2 Screw Standard Bezel

Operating Voltage	90 to 264 VAC
Part #	28101



2 Screw Deluxe Bezel

Operating Voltage	90 - 264 VAC
Part #	28103

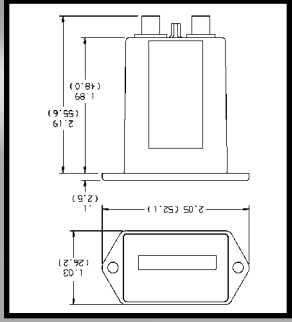


Retainer Mount:

Panel cutout 1.45 x .95

reangular opening.

Two .150 holes spaced 1.750*

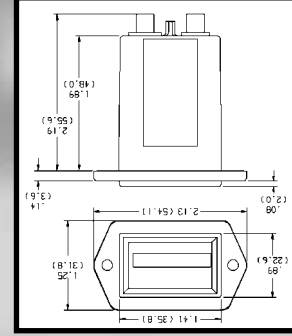


2 Screw Standard:

Panel cutout 1.45 x .95

reangular opening.

Two .150 holes spaced 1.750*

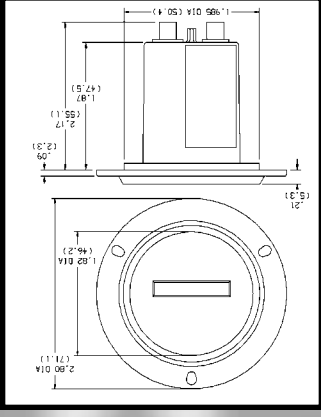


2 Screw Deluxe:

Panel cutout 1.45 x .95

reangular opening.

Two .150 holes spaced 1.750*



3 Screw Mount:

Panel cutout 2.00 diameter opening

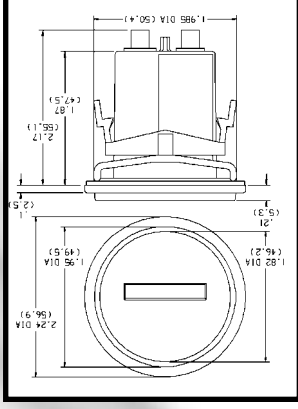
Three .125 holes equally

spaced on 2.42 bolt circle diameter*



3 Screw

Operating Voltage	90 - 264 VAC
Part #	28105



Flush Mount (Retainer) 2.24"

Panel cutout 2.00

diameter opening*



Round Black Bezel

Operating Voltage	90 - 264 VAC
Part #	28104

AC Multi-Range Meters

98000 Series

The Hobbs 98000 Series LCD hour meters provide a large easy-to-read display in a conventional size package. The hour meters are available in a variety of mounting styles and voltage ranges that will fit virtually any application.

Specifications:

- Run Accuracy ±200ppm; ±0.02%
- Start Time: maximum 1second
- 6 Digit Display
- Digit Height: 6mm

- Power draw: 8 mA at 12 VDC

(Power Terminal)

- Termination: 1/4" blade
- 3/16" blade optional

Operating Range:

- Temperature Range: -40°C to +85°C

Vibration: 20 g's per SAE J1378

Shock: 55 g's per SAE J1378

Operating ranges:

- 4.5 to 16 VDC (optional)
- 9 to 64 VDC
- >64 VDC Contact Factory

Display:

- 0 to 99,999.9 Hours
- 0 to 999,999 Counter

Transient Voltage Protection

Load Dump

Inductive

E M I

Reverse Polarity

Features

- Totally sealed from moisture and dirt
- Direct replacement for current hour meter
- No battery backup needed
- Fits in existing panel openings
- Custom bezels and dial artwork available
- Snap-in retainer mount

combines easy installation with rugged design

Compact Depth

Rugged Design

Pulse Counter Option

Reset Option

Run Indicator

* Panel cutout dimensions are ±.010 tolerance
All dimensions shown in inches and (metric)



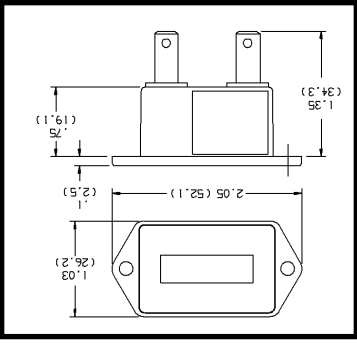
2 Screw Standard Bezel

Operating Voltage	9 to 64 VDC	2 terminal	98310
Terminals	3 terminal	with enable	98320
Terminals	4 terminal	resetaible	98300



2 Screw Deluxe Bezel

Operating Voltage	9 to 64 VDC	2 terminal	98313
Terminals	3 terminal	with enable	98323
Terminals	4 terminal	resetaible	98303



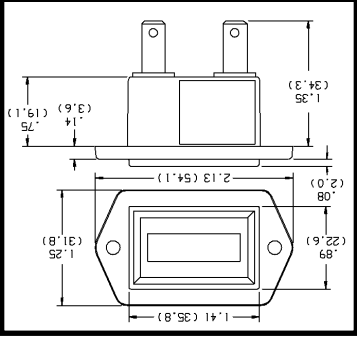
2 Screw Standard:

Panel cutout 1.45 x .95

reangular opening

Two .150 holes

spaced 1.750*



2 Screw Deluxe:

Panel cutout 1.45 x .95

reangular opening

Two .150 holes

spaced 1.750*

LCD Hour Meters

LCD Meter APPLICATIONS

- Garden Tractors
- Generators
- Utility Vehicles
- Construction Equipment
- Material Handling Equipment
- Recreational Vehicles
- Medical
- Electronic Panels
- Rental Equipment
- Boom Lifts
- Pressure Washers
- Sweeps
- Test Equipment

* Panel cutout dimensions shown in inches and (metric)

Operating Voltage	Terminals	Part #
9 to 64 VDC	2 terminal	98311
9 to 64 VDC	3 terminal with enable	98321
9 to 64 VDC	4 terminal resettable	98301



Retainer Mount



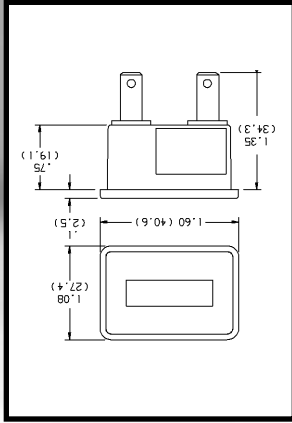
Round Chrome Bezel

Operating Voltage	Terminals	Part #
9 to 64 VDC	2 terminal	98314
9 to 64 VDC	3 terminal with enable	98324
9 to 64 VDC	4 terminal resettable	98304

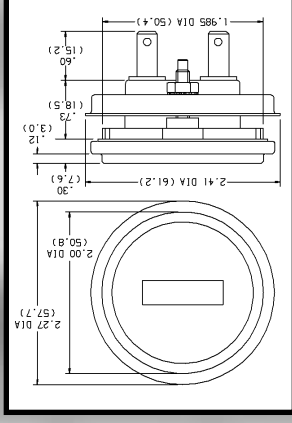


Round Black Bezel

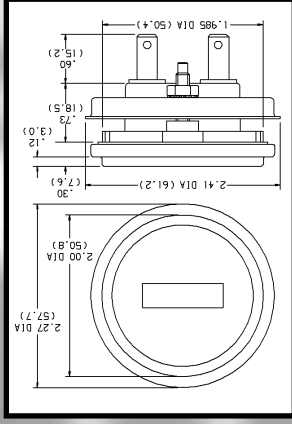
Operating Voltage	Terminals	Part #
9 to 64 VDC	2 terminal	98312
9 to 64 VDC	3 terminal with enable	98322
9 to 64 VDC	4 terminal resettable	98302



Retainer Mount:
Panel cutout 1.45 x .95 rectangular opening*



Flush Mount (Retainer) 2.27":
Panel cutout 2.00 diameter opening*

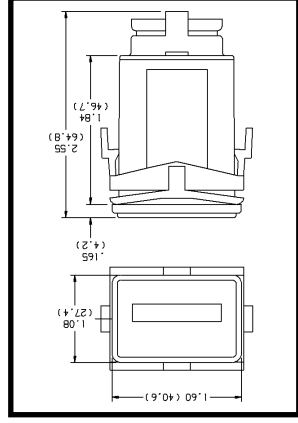


Flush Mount (Retainer) 2.27":
Panel cutout 2.00 diameter opening*

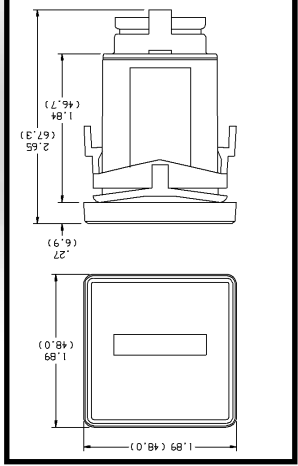


Rectangular Retainer Mount

Operating Voltage	Hertz	Termination	Part #
108-132 VAC	50	Screw*	20174
108-132 VAC	50	Blade**	20183
108-132 VAC	60	Screw*	20116
108-132 VAC	60	Blade**	20182
216-264 VAC	50	Screw*	20171
216-264 VAC	50	Blade**	20170
216-264 VAC	60	Screw*	20177



Rectangular Retainer:
Panel cutout 1.45 x .95 rectangular opening*



Square Retainer: Panel cutout 1.45 x .95 rectangular opening*

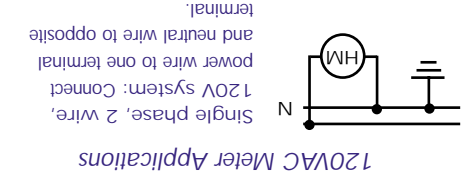
Operating Voltage	Hertz	Termination	Part #
108-132 VAC	50	Screw*	20176
108-132 VAC	60	Screw*	20115
216-264 VAC	50	Screw*	20173
216-264 VAC	60	Screw*	20179

* UL Listed, CSA Certified and CE Mark
* UL Recognized, CSA Certified and CE Mark

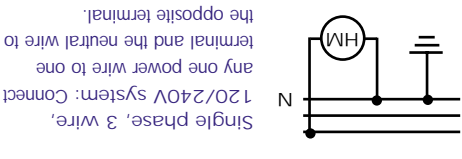
* Panel cutout dimensions are ± .010 tolerance
All dimensions shown in inches and (metric)

CAUTION: Always make sure power is removed from equipment before working on electrical circuits! Only qualified personnel should make electrical connections. Damage to equipment and/or serious bodily injury can result from improperly made electrical connections, or a failure to adhere to normal electrical safety guidelines.

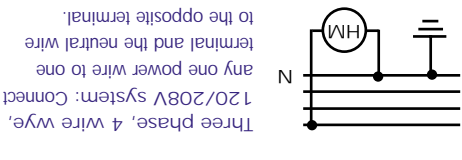
20000 Series Wiring Diagrams



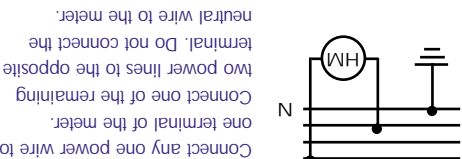
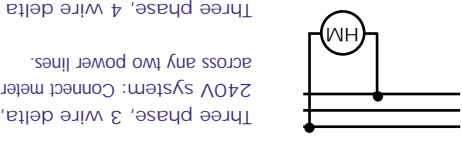
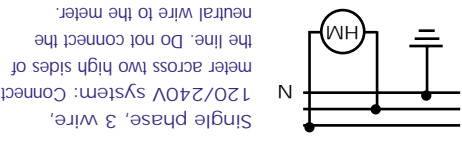
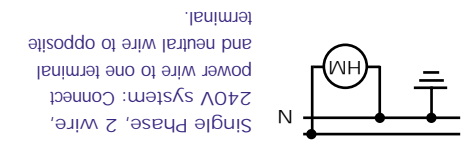
120VAC Meter Applications



120/240V Meter Applications



240VAC Meter Applications



2000 Series

When there's a need to keep track of run time, quality-minded companies choose Hobbs! Whether it's for testing purposes, leasing applications, maintenance reasons, and/or warranty programs, you want an accurate and reliable hour meter. The Hobbs 2000 Series hour meter delivers!

To ensure our high standards of quality, all parts are in-process inspected. Every meter must pass 100% function and timing accuracy tests before shipping. These "Deluxe" AC meters are also totally sealed and benefit from an uncommon design which integrates the motor and frame into one substructure.

Specifications

- Records up to 99,999 hours
- Automatic recycle to zero
- 24,120 and 240 VAC models available (Range $\pm 10\%$)
- 50 and 60 Hertz versions
- 3.0 watts power rating
- Operating temperature: -54°F to +154°F (-54°C to +68°C)
- Accuracy: $\pm 0.2\%$
- Weight: 3 oz
- Screw termination or 7" lead wires
- Lens material: Glass
- 3-screw mount: Glass
- All others: Polycarbonate
- Case material: Polycarbonate
- Number size: 0.12" (3mm)
- UL Listed (File # E47098): Screw terminals
- UL Recognized: Wire lead versions
- CSA Certified (File # LR42455)
- Conforms to MIL-M-3971 *
- CE Mark

- ### Features
- Polycarbonate, shock resistant, tamper proof case
 - Totally sealed *
 - Single phase, synchronous, permanently lubricated motor
 - Custom logo dials, 1/4" blade terminals, special wire lengths.

Options: If you need it, let us know. YOUR satisfaction is our goal!

* Applicable on shown "screw terminal" meters. Contact Hobbs for specifications on other available models.



Rectangular 2 Screw

Operating Voltage	Hertz	Termination	Part #
108 to 132 VAC	50	Screw *	20028
108 to 132 VAC	50	7" Leads **	20034
108 to 132 VAC	60	Screw *	20001
108 to 132 VAC	60	7" Leads **	20035
216 to 264 VAC	50	Screw *	20029
216 to 264 VAC	50	7" Leads **	20036
216 to 264 VAC	60	Screw *	20007
216 to 264 VAC	60	7" Leads **	20037



Round 3 Screw

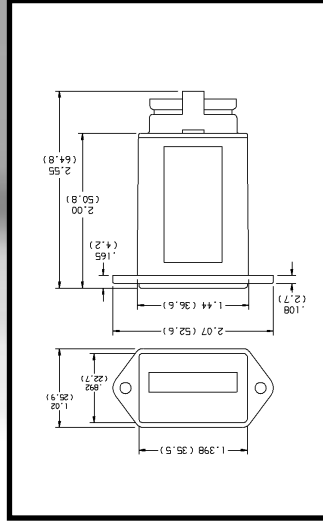
Operating Voltage	Hertz	Termination	Part #
108 to 132 VAC	50	Screw *	20016
108 to 132 VAC	50	7" Leads **	20042
108 to 132 VAC	60	Screw *	20017
108 to 132 VAC	60	7" Leads **	20043
216 to 264 VAC	50	Screw *	20018
216 to 264 VAC	50	7" Leads **	20044
216 to 264 VAC	60	Screw *	20019
216 to 264 VAC	60	7" Leads **	20045

* UL listed, CSA Certified and CE Mark
** UL Recognized, CSA Certified and CE Mark

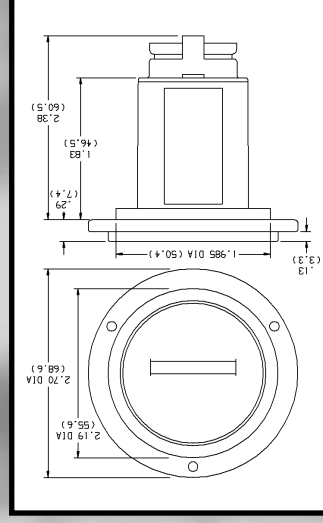
AC APPLICATIONS

- Business machines
- Air conditioning
- Control panels
- Lighting systems
- Generators
- Sun tanning equipment
- Compressors & pumps
- Refrigeration
- Many more!

* Panel cutout dimensions are $\pm .010$ tolerance
All dimensions shown in inches and (metric)



Two-Screw Mount: Panel cut out opening, Two .150 holes spaced 1.750. *



Three-Screw Mount: Panel cut out 2.00 diameter opening. Three .125 holes equally spaced on 2.42 bolt circle diameter. *

Deluxe AC Hour Meters

The Hobbs LCD hour meter module is a custom engineered elapsed time meter designed to be mounted directly to your printed circuit board (PCB). It can be used in a variety of AC or DC applications that require an hour meter, counter or odometer for preventive maintenance, warranty verification, renting and leasing.

- ### Specifications
- 6 digit/6mm display
 - $\pm 0.02\%$ Accuracy
 - Vibration tested per MIL-M-3971D at 10 g's and SAE J1378 at 20 g's
 - Shock tested per MIL-M-3971D at 75 g's and SAE J1378 at 55 g's
 - Operating temp. range -40°C to +85°C
 - Operating voltage range 9 to 64 VDC (optional 4.5 to 16 VDC)
 - Transient Voltage Protected

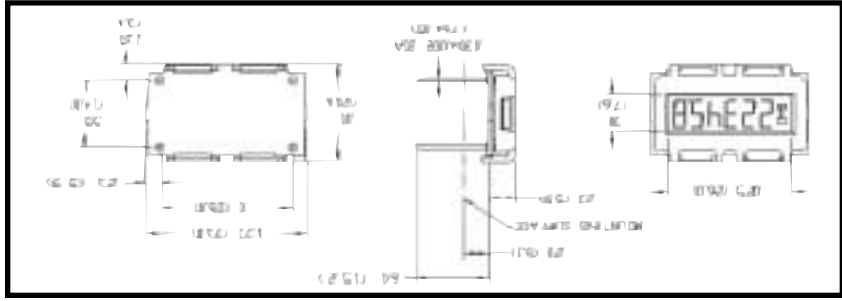
- Over Voltage
- Load Dump
- Inductive
- Reverse Polarity
- Power Consumption
- .8 ma max at 12V (power terminal)
- Start time: maximum 1 second

All Hobbs modules have crucial components exposed. The module must be sufficiently protected if used in an environment other than specified. Consult Hobbs marketing department when suitability of application is questioned.

Features

- Large easy-to-read numbers
- Silent operation
- Low power demand
- Resettable and nonresettable
- 10 years data retention (without power)
- UL Recognized, CSA approved
- Pin termination .03 in diameter
- Hours from 0 to 99,999.9
- Counter from 0 to 999,999 pulses
- Voltages greater than 64 VDC
- contact factory

LCD Hour Meter Module



D.C. Version

Operating Voltage	Termination	Part #
9 to 64 VDC	4 pin	98706
4.5 to 16 VDC	4 pin	98707

Counter Version

Operating Voltage	Termination	Part #
9 to 64 VDC	4 terminal	98704
9 to 64 VDC	3 terminal	98705

Options

4.5 to 16 VDC

* Panel cutout dimensions are $\pm .010$ tolerance
All dimensions shown in inches and (metric)

- Medical
- Vending Machines
- Floor Cleaning Equip.
- Electronic Panels
- Instrument Panels
- Recreational
- Office Equipment

LCD Module APPLICATIONS

85000 Series

The 85000 Series provides legendary Hobbs performance and reliability in a technically advanced quartz package. The Quartz Plus features a highly reliable drive mechanism, an improved odometer gear train, and a snap-together integrated chassis. The chassis fits into a shockproof, totally-sealed case made of an engineered plastic that is impervious to acids and solvents.

To ensure our high standards of quality, all parts are in-process inspected. Every Quartz Plus meter must pass 100% function, burn-in, and timing accuracy test before shipping.

Specifications

- 10,000 hour version standard, with automatic recycle to zero
- Temperature range: -40° F to +185° F
- -40° C to +85° C
- Quartz accuracy: ±200ppm, ±0.02% (entire voltage and temperature range)
- Operating voltage range: 5-110 VDC (Voltage range covered by 85000 Series line)
- Precision built relay driven odometer
- Excellent vibration & shock resistance: 20 g's @ 10-80Hz (SAE J1378)
- 10 g's (per MIL-M-3971)
- Shock: 55 g's @ 9-13ms (SAE J1378)
- 75 g's (per MIL-M-3971)
- Transient Voltage Protection
- Alternator load dump: 150V
- EMI (Electromagnetic Interference): +400V @ 500Hz
- Inductive switching and reverse polarity
- Standard terminals: 1/4" male blade
- Lens material: Glass
- Case material: Polyester
- Number size: 0.12" (3mm)

Features

- Custom CMOS integrated circuit
- Indicates operating time in hours
- and tenths, plus has a running indicator
- Totally-sealed
- Battery system voltages: 6, 12, 24, 36, 48, 60, 72, and 80 VDC
- UL Recognized (File number AU1774)
- CSA Certified (File number LR42455-12)
- Conforms to MIL-M-3971

Options:

Custom logos, polycarbonate lenses, and various bezels. Wire, stud, blade, and screw terminals. 100,000 hour, R-terminal and filtered versions available too.

Quartz Plus DC Hour Meters



2 Screw

Operating Voltage	Part #
6.5-16 VDC	85331
10-32 VDC	85000
10-80 VDC	85094
30-110 VDC	85013



3 Screw

Operating Voltage	Part #
10-32 VDC	85001
10-80 VDC	85097
30-110 VDC	85014



Rectangular Stirrup

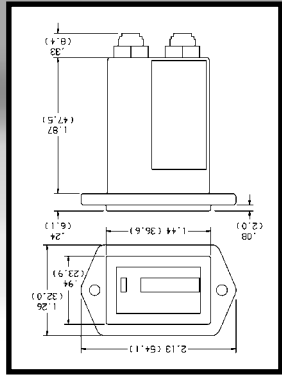
Operating Voltage	Part #
10-32 VDC	85010
30-110 VDC	85023



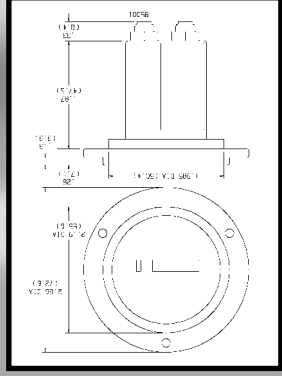
Retainer Mount

Operating Voltage	Part #
10-32 VDC	82001
10-80 VDC	82320

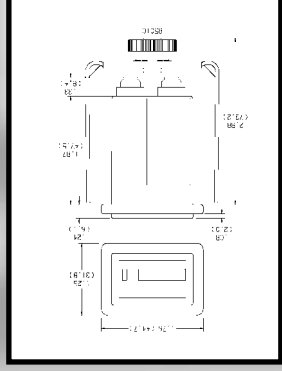
* Panel cutout dimensions are ± .010 tolerance
All dimensions shown in inches and (metric)



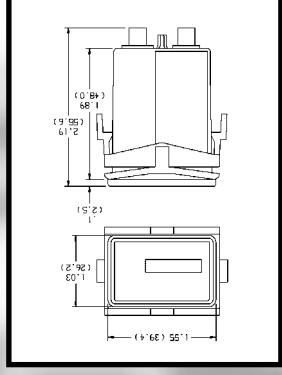
Two-Screw Mount: Panel cutout
1.45 x .95 rectangular opening.
Two .150 holes spaced 1.750.



Three-Screw Mount: Panel cutout
2.00 diameter opening. Three .150
holes equally spaced on 2.53 bolt
circle diameter.*



Rectangular Stirrup: Panel cutout
1.45 x .95 rectangular opening.*



Retainer Mount: Panel cutout
1.45 x .95 rectangular opening.*

85000 Series Quartz Plus DC Hour Meters



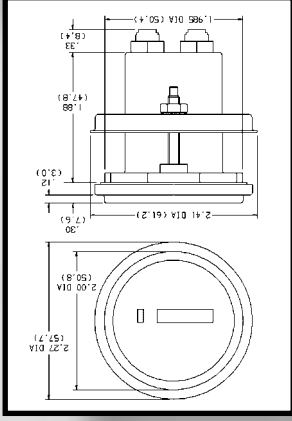
Round Chrome Bezel

Operating Voltage	Part #	Part #	Part #	Part #	Part #
10-32 VDC	85002	85006	85004	85008	85008
10-80 VDC	85342	85098	85019	85017	85021
30-110 VDC	85015	85019	85017	85017	85021

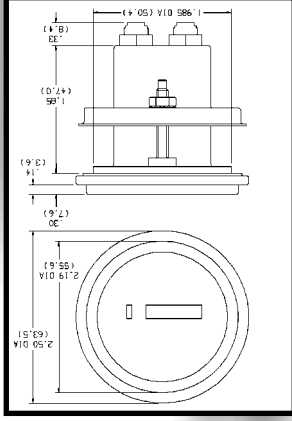


Round Black Bezel

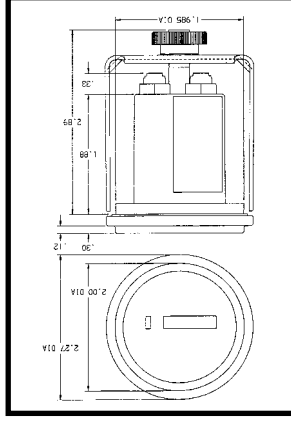
Operating Voltage	Part #	Part #	Part #	Part #	Part #
10-32 VDC	85003	85007	85005	85009	85009
10-80 VDC	85093	85099	85020	85018	85022
30-110 VDC	85016	85020	85018	85018	85022



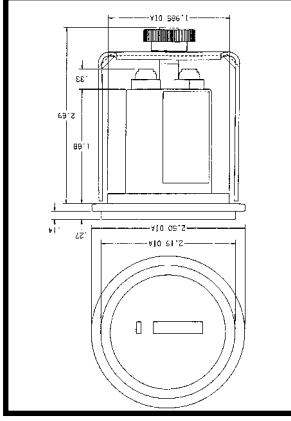
Flush Mount (Cup)
2.27" Panel cutout
2.00 diameter opening.*



Flush Mount (Cup)
2.5" Panel cutout
2.00 diameter opening.*

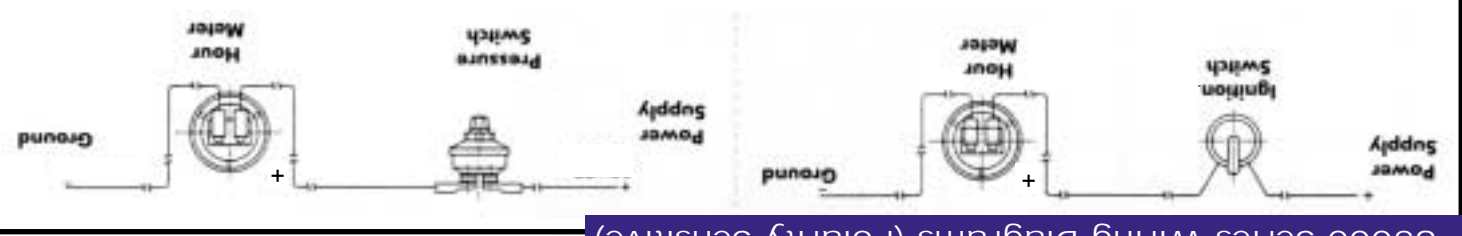


Flush Mount (Stirrup)
2.27" Panel cutout
2.00 diameter opening.*



Flush Mount (Stirrup)
2.5" Panel cutout
2.00 diameter opening.*

CAUTION: Always make sure power is removed from equipment before working on electrical circuits! Only qualified personnel should make electrical connections. Damage to equipment and/or serious bodily injury can result from improperly made electrical connections, or a failure to adhere to normal electrical safety guidelines.



85000 Series Wiring Diagrams (Polarity Sensitive)

* Panel cutout dimensions are ± .010 tolerance
All dimensions shown in inches and (metric)

- Lawn Tractors
- Garden Tractors
- Farm Equipment
- Gen Sets
- Construction Equipment
- Utility Vehicles
- Industrial Equipment
- Recreational Vehicles
- Golf Carts
- Aircraft
- Medical Equipment
- Office Equipment
- Any application requiring a very accurate and dependable hour meter.

DC APPLICATIONS

X-ON Electronics

Largest Supplier of Electrical and Electronic Components

Click to view similar products for [honeywell](#) manufacturer:

Other Similar products are found below :

[14CE2-2](#) [91MCE2-S5](#) [GLLA06A1B](#) [3600080010001](#) [58C1-25](#) [58C1-3K](#) [5ML1-E1](#) [5SE1-12](#) [602HE1-6](#) [604HE223-6B](#) [61CX11-D01](#)
[M3050A13](#) [64AT22-3D](#) [66AT23-7](#) [6HM7-6](#) [MA215HT-96](#) [6PA104](#) [6PA148-E6](#) [701PB580](#) [727033](#) [EXD-AR20](#) [MD3211Q16](#) [76054-](#)
[00000700-01](#) [76061-00000015-15](#) [76061-B00000020-01](#) [76078-00000350-01](#) [76078-B00000400-01](#) [76584-M00000100-24](#) [F78EA502](#)
[F78SA102-B1](#) [77028-00001500-01](#) [77050-04000400-01](#) [78148-B00001000-01](#) [78408-00000100-01](#) [78410-00000400-01](#) [78SF2B103](#) [7HM5](#)
[FE7C-FRC6S-M](#) [FEF-PAD6-ML2](#) [FE-MLS9C](#) [FFS-20-03](#) [81808-B00000150-14](#) [ML-1155](#) [ML-1376](#) [82000-11](#) [MLH010BST01A](#)
[MLH025BGC13B](#) [MLH02KPSG06A](#) [MLH03KPSL01C](#) [MLH250BSL01B](#)