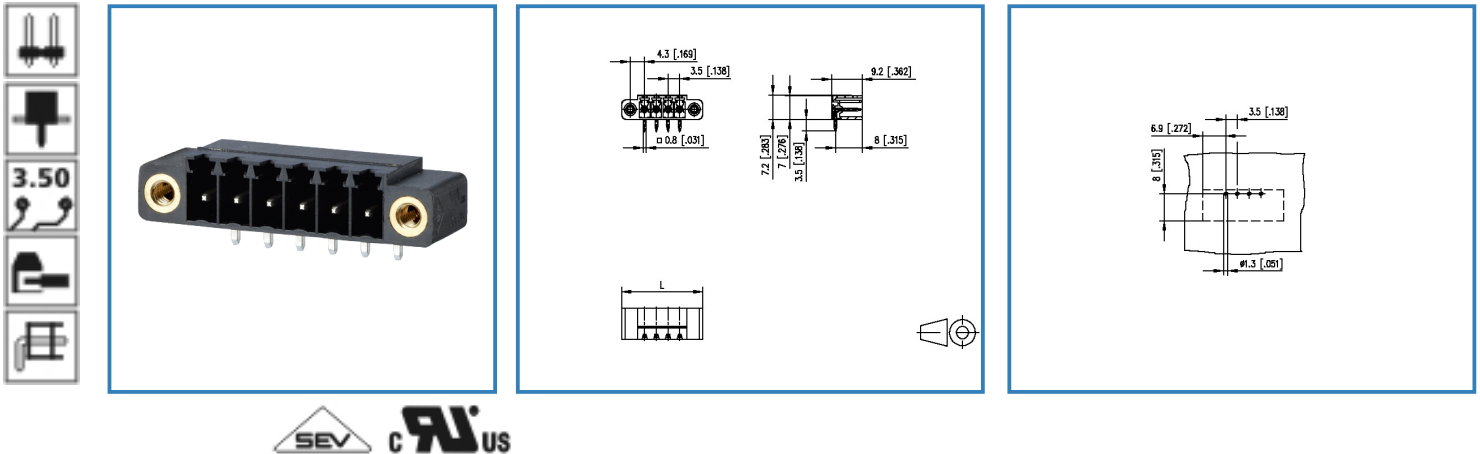


# Data Sheet

## PT093xxHBBF

### Illustration



see enlarged drawing at the end of the document

### Product specification

- pin header, solderable
- centerline 3.50 mm, direction of connection 90°
- closed ends
- color black, mounting flange
- codeable
- Connection data

**cRUUS** V / A 300 / 8

**SEV** 9 A / 125 V / 2.5 kV / 3 / IEC 61984

# Data Sheet

## PT093xxHBBF

Page 2/5

P/N

313941xx

xx=number of poles

2013/12/05


### Technical Data

#### General Data

Solder pin length	3.5 mm		
min. number of poles	2		
max. number of poles	16		
Insulating material class	CTI 600		
clearance/creepage dist.	2.7 mm		
protection category	IP 00		
Overvoltage category	III	III	II
Pollution degree	3	2	2
Rated voltage	200 V	500 V	500 V
Rated test voltage	2.5 kV	2.5 kV	2.5 kV

#### Connection data

 V / A	300 / 8
---	---------

	9 A / 125 V / 2.5 kV / 3 / IEC 61984
--	--------------------------------------

#### Material

insulating material	PA66
flammability class	V0
contact pin material	CuMg
contact pin surface	Ni + Sn

#### Climatic properties

upper limit temperature	105 °C
lower limit temperature	-40 °C

#### General

solderability	For THR products acc. to IPC/JEDEC J-STD-020D-MSL 1   For THT products max. 260 °C / 10 s
Tolerance	ISO 2768 -mH

# Data Sheet

## PT093xxHBBF

Page 3/5

P/N

313941xx

xx=number of poles

2013/12/05

### Matching Part to

P/N	Product name
316331	RP043xxHBLS Typ 633
316341	RP043xxHBLF Typ 634
ASP083	SP063xxVGNF ASP083

### Accessories

P/N	Product name
700353-01-1216	LED-light transmitter for headers, pluggable
700353-02-1216	LED-light transmitter for headers, pluggable
700353-03-1216	LED-light transmitter for headers, pluggable
720293-01-2	720293



# Data Sheet

## PT093xxHBBF

Page 4/5

P/N

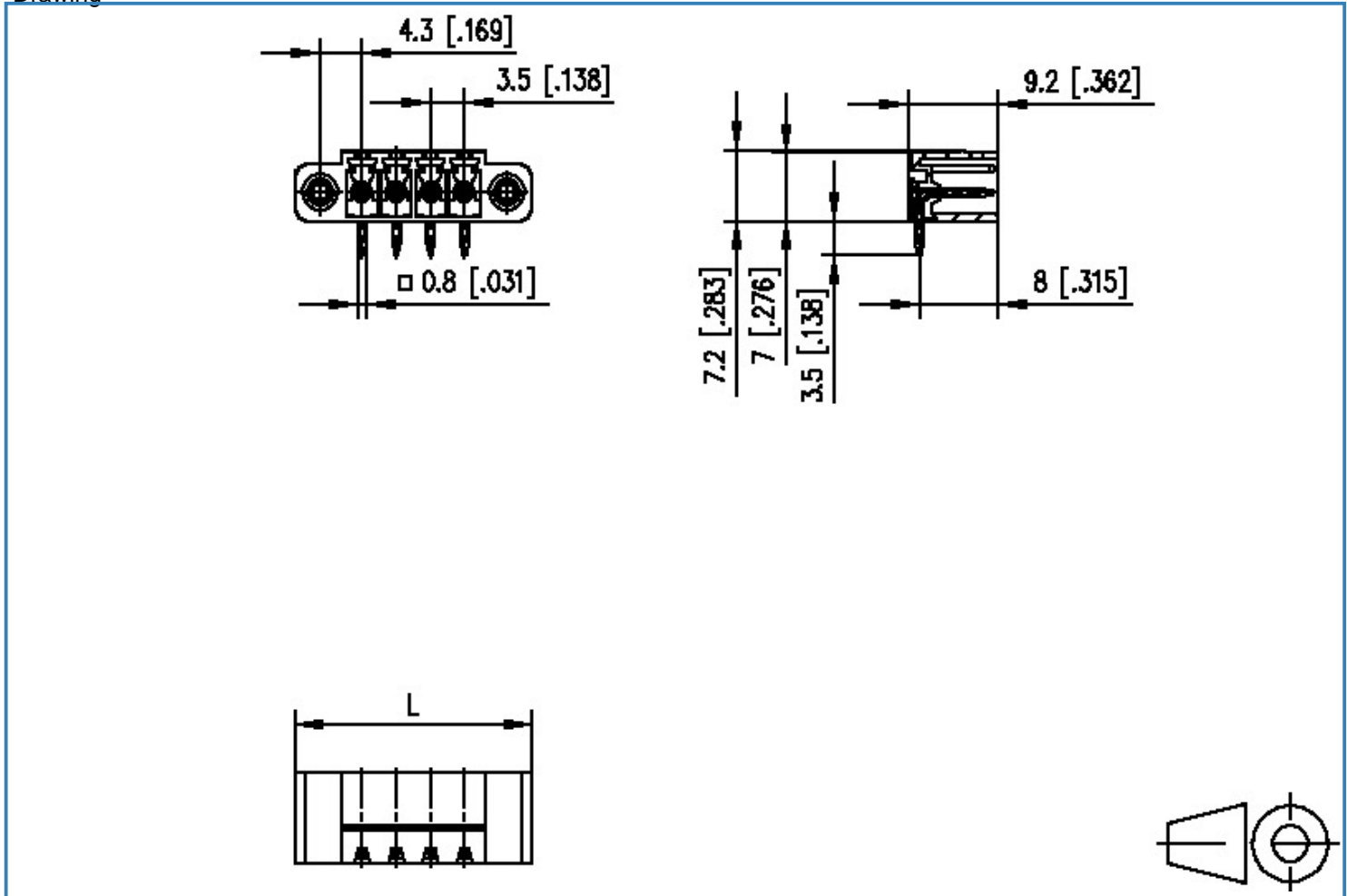
313941xx

xx=number of poles

2013/12/05

### Illustration

Drawing



$L = (\text{pole size} - 1) \times \text{centerline} + 13.8 [0.543]$



# Data Sheet

## PT093xxHBBF

Page 5/5

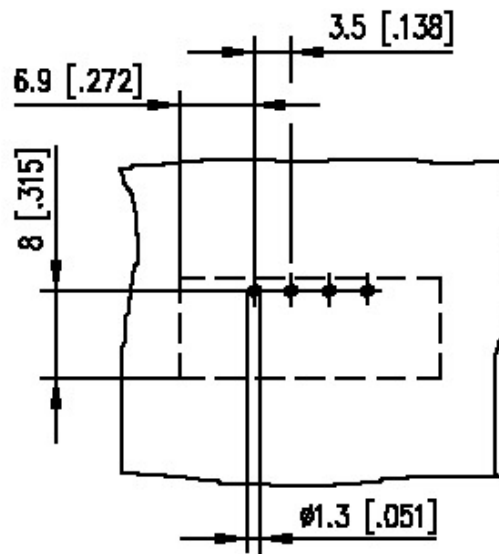
P/N

313941xx

xx=number of poles

2013/12/05

### PCB Layout



## X-ON Electronics

Largest Supplier of Electrical and Electronic Components

*Click to view similar products for [FFC & FPC Connectors](#) category:*

*Click to view products by [Metz](#) manufacturer:*

Other Similar products are found below :

[HFW11R-1STE1H1LF](#) [FH29B-100S-0.2SHW\(99\)](#) [FA5S008HP1](#) [FH29B-120S-0.2SHW\(99\)](#) [FH29B-80S-0.2SHW\(99\)](#) [FHS-16](#) [FPH-2022G](#)  
[52610-1075](#) [52610-1275](#) [52610-1934](#) [XF3M\(1\)-1415-1B-R100](#) [501864-3091-TR225](#) [0525594033](#) [086210010340800](#) [086222026001800](#)  
[52271-2869-CUT-TAPE](#) [62674-201121DLF](#) [62684-36210E9ALF](#) [52610-1675](#) [52746-1671-TR250](#) [10051922-2810EHLF](#) [6-520415-9](#)  
[BD021-09A-A1-0350-0200-0550-LD](#) [SFV6R-1STE9HLF](#) [XF3M-2915-1B-R100](#) [1658549-1](#) [62674-221121ALF](#) [46214008010800](#)  
[046298003000883](#) [151660622](#) [842-816-2630-035](#) [AYF530665TA](#) [AYF351525](#) [046296011930846+](#) [AYF352325A](#) [046254020000800+](#)  
[FH19C-13S-0.5SH\(99\)](#) [FH39J-51S-0.3SHW\(99\)](#) [AYF355125A](#) [AYF530365TA](#) [FH29B-44S-0.2SHW\(99\)](#) [SFW5R-2STAE9LF](#) [AYF351125A](#)  
[AYF350725A](#) [62684-502100AHLF](#) [FH39-61S-0.3SHW\(99\)](#) [AYF414035A](#) [10064555-172520HLF](#) [AYF212335A](#) [504754-2500](#)