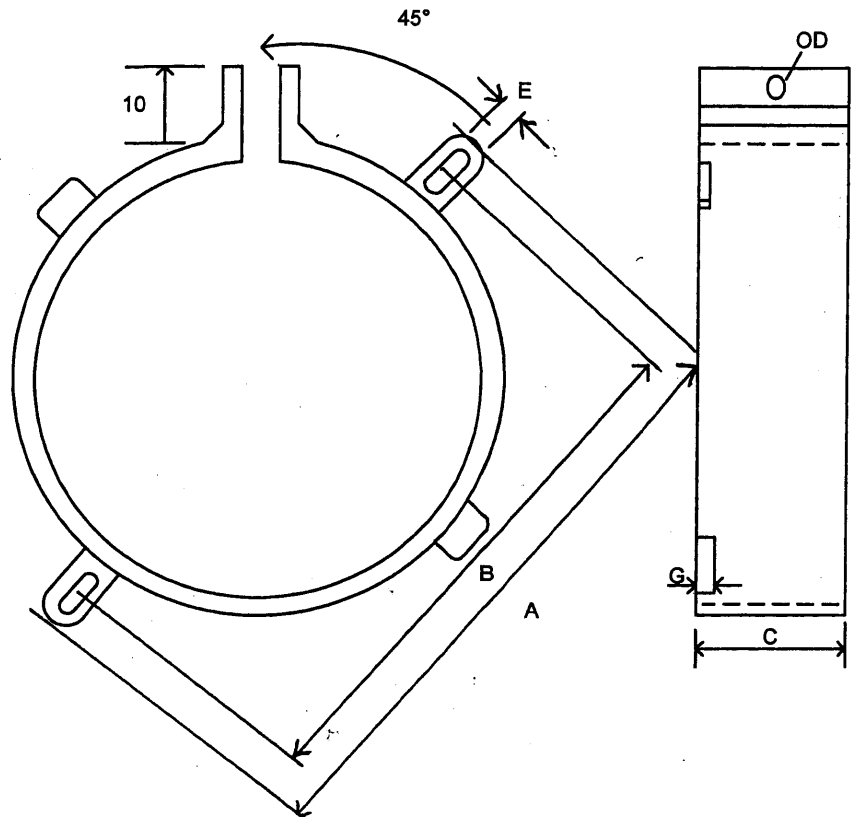


'SC' SERIES

'SC' SERIES for Surface or Central Mounting.

Metal clips can cut through the insulating sleeve and cause problems which cannot occur with an insulating NYLON clip.

The good mechanical properties of NYLON are well known and these clips are particularly suitable where vibration is involved.



No.	CAN DIAMETER	A	B	C	D	E	G
EP0881 - PNF	25	49	37	25	4	4.7	2.5
EP9001 - PNF	30	54	42.2	25	4	4.7	2.5
EP0882 - PNF	35	57.5	46	25	4	4.7	2.5
EP0880 - PNF	40	64	52	25	4	4.7	2.5
EP0884 - PNF	45	68	56	25	4	4.7	2.5
EP0885 - PNF	50	74	62	25	4	4.7	2.5
EP0886 - PNF	63.5	87	75	25	4	4.7	2.5

X-ON Electronics

Largest Supplier of Electrical and Electronic Components

Click to view similar products for [lcr manufacturer](#):

Other Similar products are found below :

[MR/P/440/5/C FP013](#) [MR/P/440/10/C 423663E FP006](#) [EXFS/HR 1000PF +/- 1%](#) [MR/P/440/4/C](#) [MR/P/440/6/B](#) [EXFS/HR 2200PF +/- 1%](#)
[FP005](#) [EP0880-PNF](#) [FSCEX 22000PF 1%63V](#) [EP0884/P](#) [PC/HV/S/WF 100NF 1.5KV](#) [MR/P/440/8/C](#) [MR/P/440/3/C](#) [PC/HV/S/WF 220NF](#)
[1KV](#) [LCR/0.01/1500/20](#) [DF2](#) [EP0885-PNF3](#) [EP0881-PNF](#) [MR/P/440/2/B](#) [MR/P/440/8/B](#) [MR3/420B 3UF/440VAC](#) [EP0886-PNF3](#) [FSCEX](#)
[6800PF 1%160V](#) [MR4/420B 4UF/440VAC](#) [EP0887-PNF3](#) [EP0882/P](#) [FSC 160V 56PF](#) [MR/P/440/2/C](#) [EP0882-PNF](#) [FSCEX 510PF 1% 630V](#)
[MR10/420B 10UF/440VAC](#) [PC/HV/S/WF 47NF 1KV](#) [FSCEX 3000PF 1%160V](#) [PC/HV/S/WF 2.2NF 1KV](#) [FSCEX 8200PF 1%160V](#) [V1004](#)
[FSC 160V 3300PF](#) [PC/HV/S/WF 10NF 1.5KV](#) [FSCEX 200PF 1% 630V](#) [EXFS/HR 6800PF +/- 1%](#) [FS/CEX 5600PF 1%160V](#) [EXFS/HR](#)
[220PF +/- 1%](#) [FSCEX 300PF 1% 630V](#) [FSCEX 7500PF 1%160V](#) [FSCEX 2000PF 1%160V](#) [FSCEX 5100PF 1%160V](#) [FSCEX 1200PF](#)
[1%160V](#)