

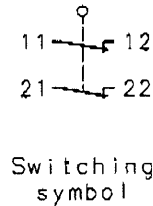
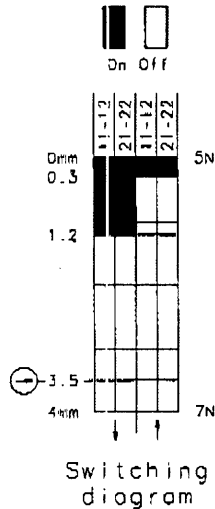
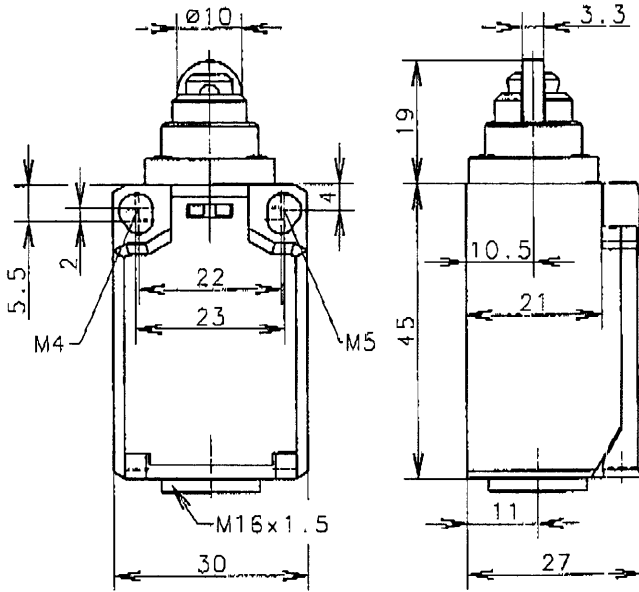
FAO SMC Green



**Technical data sheet**  
**Ti2-SAZZ RiW 608.8867.010**



Positive opening operation according to DIN EN 60947-5-1 IEC 60947-5-1



Tolerance: operating point  $\pm 0.25\text{mm}$ ; actuating force  $\pm 10\%$

Schutzvermerk nach DIN 34 beachten  
Copyright reserved

09.04.03

**Mechanical features**

Enclosure: PBT, glass fibre reinforced  
 Cover: PA6.6, black  
 Actuator: Roller (Thermoplast)

Ambient air temperature:  $-30^{\circ}\text{C}$  up to  $+80^{\circ}\text{C}$   
 Contact type: 2 NC-contacts (Zb)

Mechanical life:  $3 \times 10^6$  switch operations  
 Switch frequency: max. 100/min  
 Mounting: 2xM4 or 2xM5 fixed positioning for safety applications  
 Connection type: 4 screw connections (M3.5)  
 Conductor cross-section: single core  $0.5\text{-}1.5\text{mm}^2$  / litz wire with connector sleeve  $0.5\text{-}1.5\text{mm}^2$   
 Cable entry size: 1 x M16x1.5  
 Weight: approx. 0,04kg

**Electrical features**

Rated insulation voltage:  $U_i = 250\text{ V AC}$   
 Conventional thermal current:  $I_{thc} = 10\text{ A}$   
 Max. inrush current: according to IEC 60947-5-1  
 Utilization categorie: AC 15, A300 240V/3A, 120V/6A / DC 13, Q300 250V/0.27A, 125V/0.55A  
 Standards: according to EN 60947-1; EN 60947-5-1  
 Protection class (IP-Code): IP65 according to EN 60529; DIN VDE 0470 T1  
 CSA/UL: 10A 300V, A300  
 Short circuit protection: Fuse 6A gL/gG, IEC/EN 60947-5-1, appendix K

Approach possibilities  
 Actuator not re-arrangeable.

Remarks  
 The moving parts should be oiled per odically.  
 The rated protection class (IP-Code) is valid only at closed cover and when using an ot equivalent cable gland.

## X-ON Electronics

Largest Supplier of Electrical and Electronic Components

*Click to view similar products for [Limit Switches](#) category:*

*Click to view products by [Bernstein](#) manufacturer:*

Other Similar products are found below :

[6LS2-4PG](#) [5ML1-E1](#) [5ML31](#) [LZG1](#) [LZL1-6C](#) [622EN114-R](#) [622EN18-6](#) [622EN224-6B](#) [622EN230](#) [622EN237-R](#) [622EN69-3](#) [622EN85-RB](#)  
[MA-10019](#) [6PA109](#) [7LS51](#) [83547001](#) [83725002](#) [83830001](#) [83840001](#) [83840701](#) [83841001](#) [83870104](#) [83881140](#) [8AS42](#) [8LS10](#) [8LS125-](#)  
[4PG](#) [8LS152-4PGN20](#) [914CE16-3A](#) [914CE3-3L1](#) [915PA10](#) [91MCE16-P2O](#) [924CE16-Y3](#) [924CE1-S6](#) [924CE1-T25A](#) [924CE1-T3](#) [924CE1-](#)  
[T9A](#) [924CE2-T9](#) [924CE31-Y20-X5](#) [924CE31-Y3L1](#) [GL-10054](#) [GL-85710](#) [GL-85714](#) [GLAB26J2B](#) [GLDB03C-6](#) [GLZ324](#) [PS21R-](#)  
[NT11N7-YK0](#) [D4A-1106N](#) [D4A-3E02N](#) [D4A-4510N](#) [D4A-4516N](#)