

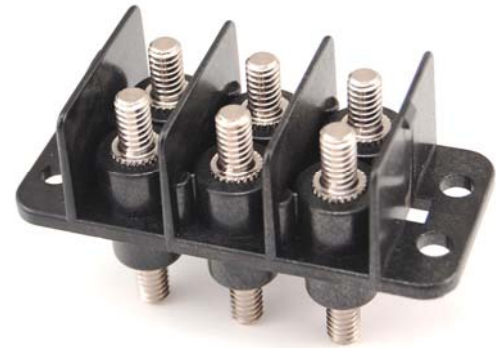
Product Data Sheet



ST722E25XX (end mount)

Replace "XX" with 01 through 06 for number of poles

**Studded Power Block
Feed Thru
175 Amps, 300 Volts AC/DC**



3-pole shown

Wire Range:

#2/0 - #8 AWG Copper Stranded Wire

Accommodates Two Hole Compression Lugs on .625" centers – wires #2 and larger may require narrow lugs.

0.73" Centers

Electrical Ratings:

- 175A (Based on NEC Table 310-16, 75°C columns)
- 300 Volts AC/DC (UL 1059 Class B – Commercial Appliances and C - General Industrial)
- Short Circuit Current Rated for 10,000 Amps.
- Factory and Field Wiring

Mechanical Ratings:

- Insulator base temperature rating: -40°C to 125°C (257°F) UL RTI
- Flammability rating of insulator base: UL 94 V-0
 - Use outside these ratings needs to be judged in the end-use application.

Materials:

- Studs: #1/4-20: Brass, Nickel plated
- Insulator base: Glass-filled polycarbonate (Thermoplastic)

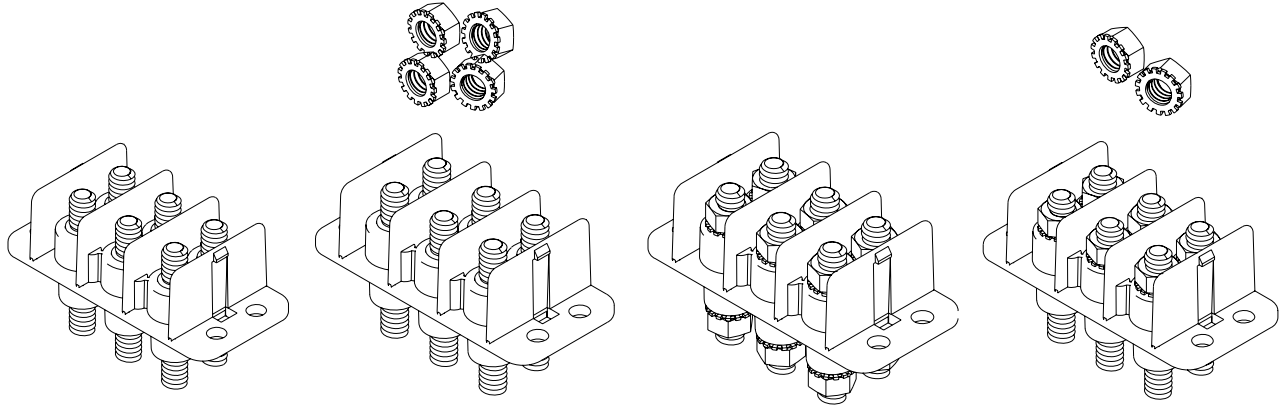
Agency Approvals:

- UL Recognized, UL 1059 Terminal Block Standard, File No. XCFR2.E62806
- CSA Certified, CSA C22.2 No. 158, File No. LR19766
- CE compliant to IEC 60947-7-1
- RoHS Compliant

Application Torque: 50 in-lbs.

- Panel mountable: #10 fastener, torque to 25-30 in. lbs.

Hardware Options:



ST722E25XX
No Hardware Included

ST722E25XXUH
(4) Nuts per line
packed loose

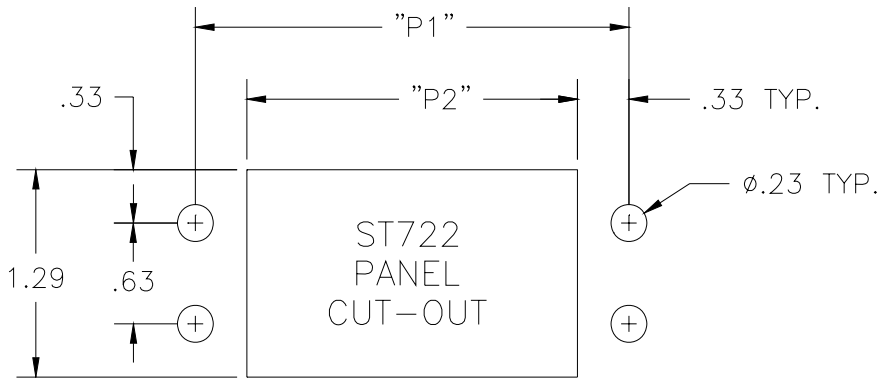
ST722E25XXAH
(4) Nuts per line
assembled

ST722E25XXDL
(2) Nuts per line
assembled barrier side
(2) Nuts per line packed
loose bottom side

Accessories:

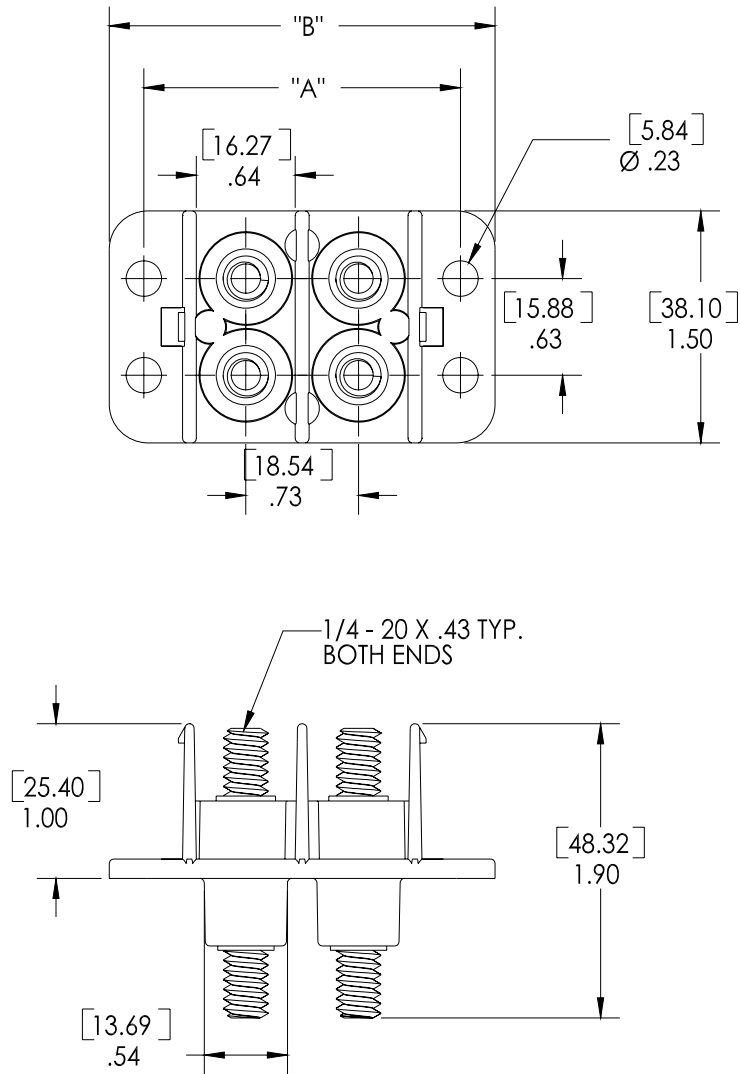
- Cover: order C722XX (XX = line length 1 through 6)

Mounting Cutout:



LENGTH	"P1"	"P2"
1-LINE	1.32	.66
2-LINE	2.05	1.39
3-LINE	2.78	2.12
4-LINE	3.51	2.85
5-LINE	4.24	3.58
6-LINE	4.97	4.31

Product Dimensions:



Catalog #	# of Poles	Dim A		Dim B	
		Inches	Metric	Inches	Metric
722E	1	1.32	(33.53)	1.77	(44.96)
722E	2	2.05	(52.07)	2.50	(63.50)
722E	3	2.78	(70.61)	3.23	(82.40)
722E	4	3.51	(89.15)	3.96	(100.58)
722E	5	4.24	(107.70)	4.69	(119.13)
722E	6	4.97	(126.24)	5.42	(137.67)

WWW.MARATHONSP.COM
1-419-352-8441

X-ON Electronics

Largest Supplier of Electrical and Electronic Components

Click to view similar products for [marathon manufacturer](#):

Other Similar products are found below :

[104](#) [601-GP-2102-02](#) [601-GPYSY-03](#) [602-GPYSY-22](#) [603-2302-04](#) [603-JJ-04](#) [603-JJ-07](#) [604-JJ-06](#) [605-GP-03SLB](#) [605-JJ-02](#) [651-XPR-13](#)
[670-3/4ST-9](#) [670A-GP-3000-18](#) [670A-GP-3000-25](#) [670A-GP-3000-27](#) [670A-GP-3/4ST-10](#) [670-GP-19](#) [CW205-01C](#) [671-RZ-25](#) [6F30A3S](#)
[F600A1B](#) [F600A3B](#) [F60A1B](#) [FPB33588](#) [8TBJ02](#) [R30A1B](#) [RF400A3B](#) [1321970](#) [1322970CH](#) [1320972](#) [1331955](#) [1332270](#) [1332554CH](#)
[1333280CH](#) [1333575CH](#) [1353701](#) [1353701CH](#) [1323474](#) [1331320CH](#) [1331552CH](#) [1332126CH](#) [1332272](#) [1332552](#) [1333360](#) [1333555CH](#)
[1413403](#) [1402404](#) [1411403](#) [1422411](#) [1441551](#)