

# Series 79 Micro-Crimp Section H: Backshells and Accessories



## 799-015 LOW PROFILE EMI BACKSHELL



Attach cable braid to connector with 799-015 adapters. These adapters fit securely into a groove on 790-024 and 790-025 cable connectors. Terminate shields with **BAND-IT**™ stainless steel straps. Elliptical cable entry provides room for large wire bundles. Machined T6061 aluminum adapters consist of two interlocking housings, two fillister head screws and two lockwashers. These lightweight, space-saving adapters are compatible with captive screws on connector flange. This adapter is non-environmental. Fill with potting compound to prevent water intrusion.

Component	Material	Finish
Backshell	Aluminum Alloy	See table below
Hardware	Stainless Steel	Passivated

### How To Order

Sample Part Number

**799-015T**

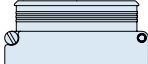
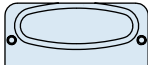


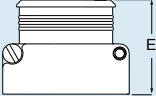
**M**

**B**

**02**

**N**

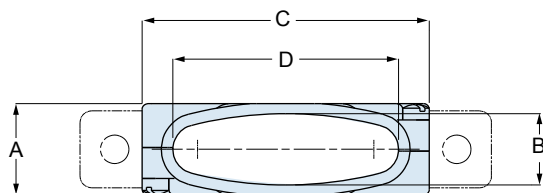
**02**

Part Number	Shell Finish	Shell Size	Cable Entry Size	Band Option	Optional Height Code																																																																																								
 <b>799-015T</b> Top Entry   <b>799-015S</b> Side Entry	<p><b>M</b> Electroless Nickel <i>general purpose applications</i></p> <p><b>MT</b> Nickel-PTFE <i>1000 Hour Grey™ maximum corrosion protection and durability (non-reflective grey)</i></p> <p><b>ZNU</b> Zinc-Nickel with Black Chromate <i>tactical applications (non-reflective black)</i></p> <p>Additional shell finishes are listed on page C-9.</p>	<p><b>A</b></p> <p><b>B</b></p> <p><b>C</b></p> <p><b>D</b></p> <p><b>E</b></p> <p><b>F</b></p> <p><b>G</b></p> <p><b>H</b></p> <p><b>J</b></p> <p><b>K</b></p> <p><b>L</b></p>	 <table border="1"> <thead> <tr> <th rowspan="2">Cable Entry Code</th> <th colspan="2">D</th> <th rowspan="2">Shell Size</th> </tr> <tr> <th>In.</th> <th>mm.</th> </tr> </thead> <tbody> <tr><td><b>01</b></td><td>.140</td><td>3.56</td><td>A-L</td></tr> <tr><td><b>02</b></td><td>.290</td><td>7.37</td><td>B-L</td></tr> <tr><td><b>03</b></td><td>.440</td><td>11.18</td><td>C-L</td></tr> <tr><td><b>04</b></td><td>.540</td><td>13.72</td><td>D-L</td></tr> <tr><td><b>05</b></td><td>.690</td><td>17.53</td><td>E-L</td></tr> <tr><td><b>06</b></td><td>.810</td><td>20.57</td><td>F-L</td></tr> <tr><td><b>07</b></td><td>1.000</td><td>25.40</td><td>H-L</td></tr> <tr><td><b>08</b></td><td>1.190</td><td>30.23</td><td>H-L</td></tr> <tr><td><b>09</b></td><td>1.305</td><td>33.15</td><td>K-L</td></tr> <tr><td><b>10</b></td><td>1.420</td><td>36.07</td><td>K-L</td></tr> <tr><td><b>11</b></td><td>1.600</td><td>40.64</td><td>K</td></tr> </tbody> </table>	Cable Entry Code	D		Shell Size	In.	mm.	<b>01</b>	.140	3.56	A-L	<b>02</b>	.290	7.37	B-L	<b>03</b>	.440	11.18	C-L	<b>04</b>	.540	13.72	D-L	<b>05</b>	.690	17.53	E-L	<b>06</b>	.810	20.57	F-L	<b>07</b>	1.000	25.40	H-L	<b>08</b>	1.190	30.23	H-L	<b>09</b>	1.305	33.15	K-L	<b>10</b>	1.420	36.07	K-L	<b>11</b>	1.600	40.64	K	<p><b>N</b> No Band Supplied</p> <p><b>M</b> <b>BAND-IT</b>™ Micro-Band Included. .125 (3.18) Wide.</p> 	 <table border="1"> <thead> <tr> <th rowspan="2">Height Code</th> <th colspan="2">E</th> </tr> <tr> <th>In.</th> <th>mm.</th> </tr> </thead> <tbody> <tr><td><b>(None)</b></td><td>.690</td><td>17.5</td></tr> <tr><td><b>01</b></td><td>.810</td><td>20.6</td></tr> <tr><td><b>02</b></td><td>.940</td><td>23.9</td></tr> <tr><td><b>03</b></td><td>1.060</td><td>26.9</td></tr> <tr><td><b>04</b></td><td>1.190</td><td>30.2</td></tr> <tr><td><b>05</b></td><td>1.310</td><td>33.3</td></tr> <tr><td><b>06</b></td><td>1.440</td><td>36.6</td></tr> <tr><td><b>07</b></td><td>1.560</td><td>39.6</td></tr> <tr><td><b>08</b></td><td>1.690</td><td>42.9</td></tr> <tr><td><b>09</b></td><td>1.810</td><td>46.0</td></tr> <tr><td><b>10</b></td><td>1.940</td><td>49.3</td></tr> </tbody> </table>	Height Code	E		In.	mm.	<b>(None)</b>	.690	17.5	<b>01</b>	.810	20.6	<b>02</b>	.940	23.9	<b>03</b>	1.060	26.9	<b>04</b>	1.190	30.2	<b>05</b>	1.310	33.3	<b>06</b>	1.440	36.6	<b>07</b>	1.560	39.6	<b>08</b>	1.690	42.9	<b>09</b>	1.810	46.0	<b>10</b>	1.940	49.3
			Cable Entry Code		D			Shell Size																																																																																					
				In.	mm.																																																																																								
			<b>01</b>	.140	3.56	A-L																																																																																							
			<b>02</b>	.290	7.37	B-L																																																																																							
			<b>03</b>	.440	11.18	C-L																																																																																							
			<b>04</b>	.540	13.72	D-L																																																																																							
			<b>05</b>	.690	17.53	E-L																																																																																							
			<b>06</b>	.810	20.57	F-L																																																																																							
			<b>07</b>	1.000	25.40	H-L																																																																																							
			<b>08</b>	1.190	30.23	H-L																																																																																							
			<b>09</b>	1.305	33.15	K-L																																																																																							
<b>10</b>	1.420	36.07	K-L																																																																																										
<b>11</b>	1.600	40.64	K																																																																																										
Height Code	E																																																																																												
	In.	mm.																																																																																											
<b>(None)</b>	.690	17.5																																																																																											
<b>01</b>	.810	20.6																																																																																											
<b>02</b>	.940	23.9																																																																																											
<b>03</b>	1.060	26.9																																																																																											
<b>04</b>	1.190	30.2																																																																																											
<b>05</b>	1.310	33.3																																																																																											
<b>06</b>	1.440	36.6																																																																																											
<b>07</b>	1.560	39.6																																																																																											
<b>08</b>	1.690	42.9																																																																																											
<b>09</b>	1.810	46.0																																																																																											
<b>10</b>	1.940	49.3																																																																																											

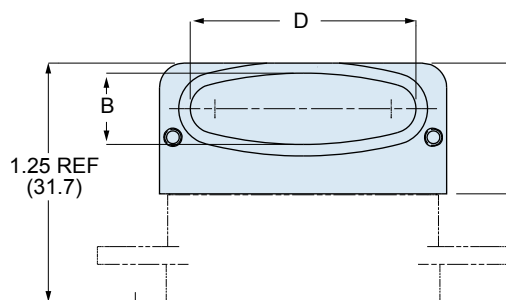
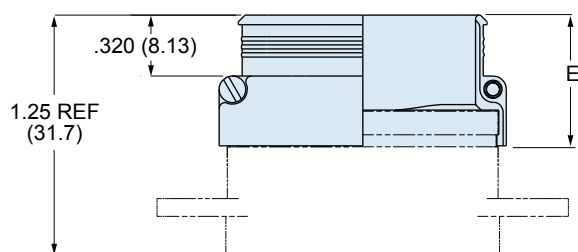
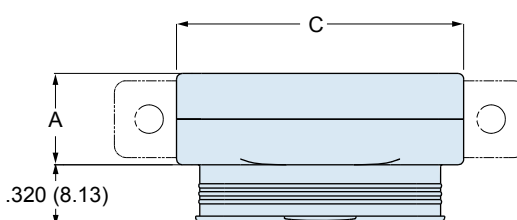
Dimensions in inches (millimeters) and are subject to change without notice.

### 799-015 LOW PROFILE EMI BACKSHELL

STYLE T - TOP ENTRY



STYLE S - SIDE ENTRY



CONNECTOR SHOWN FOR  
REFERENCE - NOT SUPPLIED

#### 799-015 DIMENSIONS

Shell Size	A Max.		B		C Max.		Available Entries
	In.	mm.	In.	mm.	In.	mm.	
<b>A</b>	.385	9.78	.270	6.86	.485	12.32	01
<b>B</b>	.385	9.78	.270	6.86	.635	16.13	01 thru 02
<b>C</b>	.385	9.78	.270	6.86	.785	19.94	01 thru 03
<b>D</b>	.385	9.78	.270	6.86	.885	22.48	01 thru 04
<b>E</b>	.385	9.78	.270	6.86	1.035	26.29	01 thru 05
<b>F</b>	.385	9.78	.270	6.86	1.185	30.10	01 thru 06
<b>G</b>	.465	11.81	.350	8.89	1.145	29.08	01 thru 06
<b>H</b>	.495	12.57	.380	9.65	1.525	38.74	01 thru 08
<b>J</b>	.385	9.78	.270	6.86	1.545	39.24	01 thru 08
<b>K</b>	.385	9.78	.270	6.86	1.945	49.40	01 thru 11
<b>L</b>	.495	12.57	.380	9.65	1.765	44.83	01 thru 10

#### ENTRY SIZE

Entry Size	D		Available Sizes
	In.	mm.	
<b>01</b>	.140	3.56	A Thru L
<b>02</b>	.290	7.37	B thru L
<b>03</b>	.440	11.18	C thru L
<b>04</b>	.540	13.72	D thru L
<b>05</b>	.690	17.53	E thru L
<b>06</b>	.810	20.57	F, H, J, K, L
<b>07</b>	1.000	25.40	H thru L
<b>08</b>	1.190	30.23	H Thru L
<b>09</b>	1.305	33.15	K, L
<b>10</b>	1.420	36.07	K, L
<b>11</b>	1.600	40.64	K

#### HEIGHT CODE

CODE	E	
	In.	mm.
<b>(None)</b>	.690	17.5
<b>01</b>	.810	20.6
<b>02</b>	.940	23.9
<b>03</b>	1.060	26.9
<b>04</b>	1.190	30.2
<b>05</b>	1.310	33.3
<b>06</b>	1.440	36.6
<b>07</b>	1.560	39.6
<b>08</b>	1.690	42.9
<b>09</b>	1.810	46.0
<b>10</b>	1.940	49.3

Dimensions in inches (millimeters) and are subject to change without notice.

## X-ON Electronics

Largest Supplier of Electrical and Electronic Components

*Click to view similar products for [D-Sub Backshells](#) category:*

*Click to view products by [Glenair](#) manufacturer:*

Other Similar products are found below :

[173114-0084](#) [173112-1658](#) [600X51137X](#) [600X54009X](#) [66241-12A](#) [M85049/48-1-2](#) [M85049/48-3-5F](#) [M85049/6-38N](#) [M85049/86-12N03](#)  
[70.350.0636.4](#) [70.350.2435.1](#) [72.350.1035.2](#) [72.352.2435.1](#) [73.359.4035.3](#) [799-015TMH07M](#) [799-015TMH08N](#) [FKH1RE](#) [829472-1](#) [F-](#)  
[PHG-1E](#) [F-PHG-3E](#) [F-PHG-4E](#) [F-PHR-4E](#) [PCS-E20W](#) [8655MHRA0901KLF](#) [8655MHRA2501KLF](#) [958-009-010R011](#) [970-015-040R011](#)  
[970-025-030R121](#) [970-025-040R011](#) [971-009-030R121](#) [971-009-040R011](#) [971-015-040R011](#) [971-025-040R011](#) [GS85049/38-25M](#) [975T009-](#)  
[020R121](#) [975T015-020R121](#) [1-21986-2](#) [1-21986-5](#) [DB-20962](#) [DE-C8-J9-F4-1R](#) [DE-C8-J9-F5-1R](#) [DPH-B-003](#) [1437013-9](#) [1484402-8](#)  
[MS3057-10A](#) [156-3025-EX](#) [MS3417-16C](#) [16-500800](#) [165X02659X](#) [165X03329A](#)