

THE INFORMATION CONTAINED HEREIN IS CONSIDERED "PROPRIETARY" TO BEL FUSE INC. AND SHALL NOT BE COPIED, REPRODUCED OR DISCLOSED WITHOUT THE WRITTEN APPROVAL OF BEL FUSE INC.

LED1 POLARITY			LED2 POLARITY		
PIN 9	PIN 10	COLOR	PIN 7	PIN 8	COLOR
+	-	YELLOW	+	-	GREEN

PRELIMINARY

RoHS
2002/95/EC



ELECTRICAL CHARACTERISTICS @ 25°C

URNS RATIO

TX 1CT : 1
RX 1CT : 1

OCL @ 100kHz/100mVRMS

8mA DC BIAS (0°C - 70°C) 350µH MIN.

INS. LOSS

1MHz TO 100MHz -1.1 dB MAX

RET. LOSS (MIN) @ 100ΩHMS ±15%

1MHz-30MHz -18 dB
30MHz-60MHz -18+20LOG(F/30MHz) dB
60MHz-80MHz -12 dB

CROSS TALK (TX - RX)

100kHz-100MHz -35 dB MIN

CM TO CM REJ

100kHz-100MHz -30 dB MIN

CM TO DM REJ

100kHz-100MHz -35 dB MIN

HIPOT (Isolation Voltage):

1500 Vrms

100% OF PRODUCTION TESTED TO COMPLY WITH IEEE 802.3 ISOLATION REQUIREMENT

LED 1

VF (FORWARD VOLTAGE) IF=20mA YELLOW 2.1V TYP.

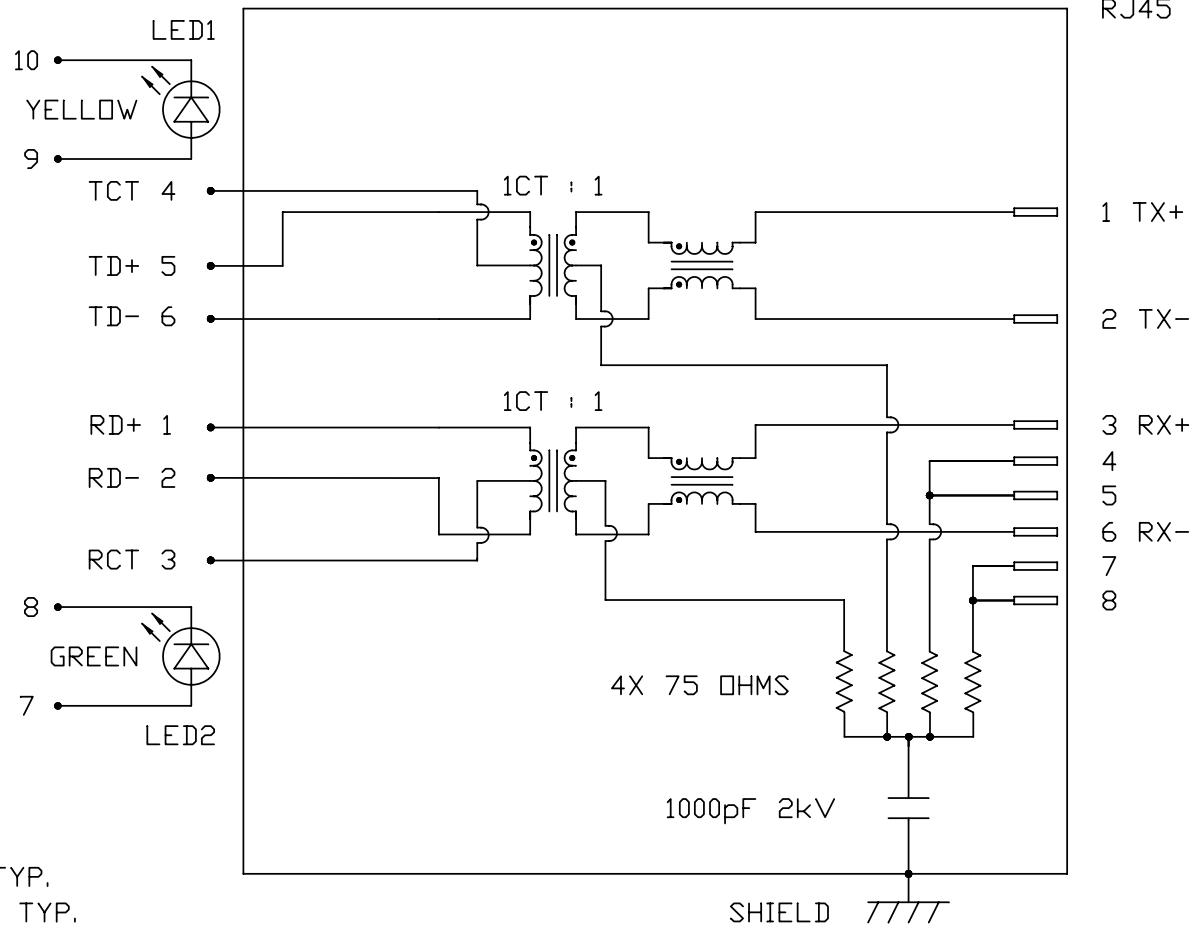
λ D (DOMINANT WAVELENGTH) IF=20mA YELLOW 590nm TYP.

LED 2

VF (FORWARD VOLTAGE) IF=20mA GREEN 2.2V TYP.

λ D (DOMINANT WAVELENGTH) IF=20mA GREEN 565nm TYP.

SCHEMATIC



RJ45

ORIGINATED BY	DATE	TITLE 1X1 MagJack® With LEDs PATENTED
CHOW WANGCHUNG	05-19-09	
DRAWN BY	DATE	
LI YONGFENG	05-19-09	

PART NO. / DRAWING NO.	0875-1A1T-P2
FILE NAME	0875-1A1T-P2_PC.DWG

STANDARD DIM. TOL. IN INCH	[] METRIC DIM. AS REFERENCE
.X	UNIT : INCH [mm]
.XX	REV. : PC
.XXX	SCALE : N/A
	SIZE : A4
	PAGE : 2

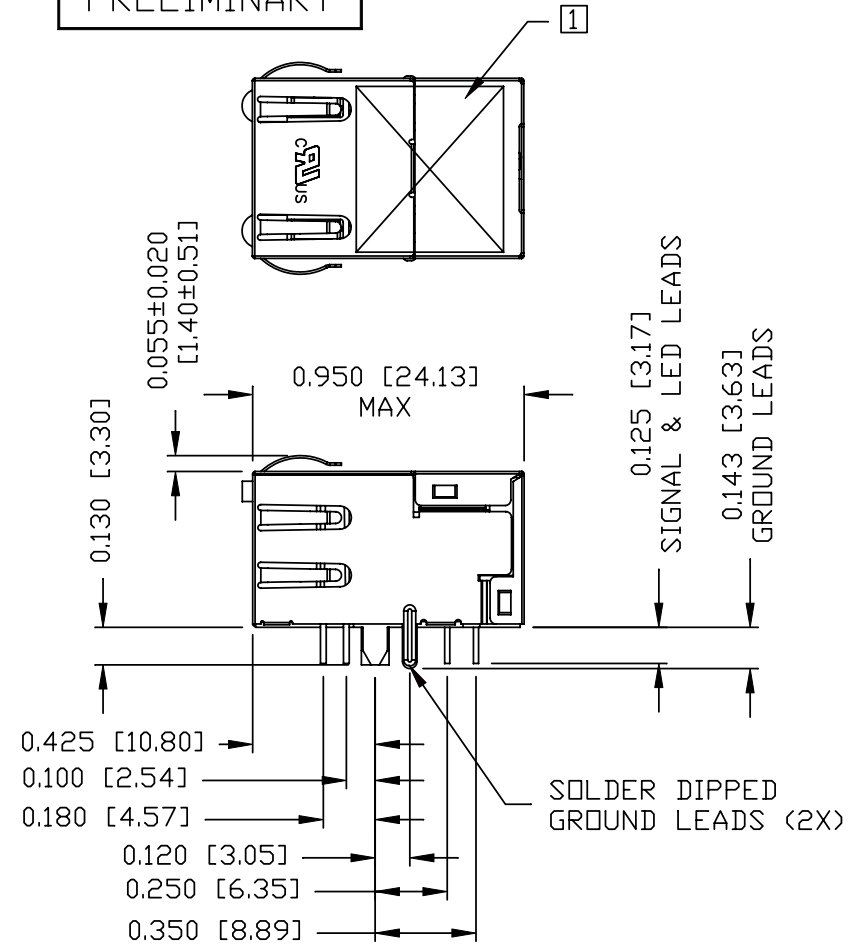
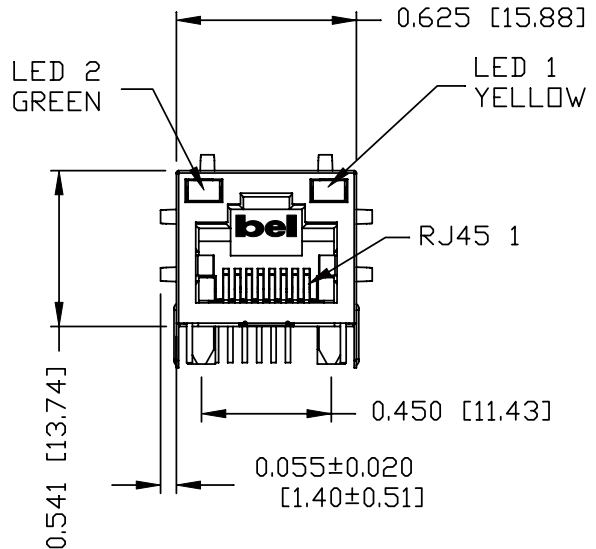
UNIT : INCH [mm]	REV. : PC
SCALE : N/A	SIZE : A4
PAGE : 2	



THE INFORMATION CONTAINED HEREIN IS CONSIDERED "PROPRIETARY" TO BEL FUSE INC. AND SHALL NOT BE COPIED, REPRODUCED OR DISCLOSED WITHOUT THE WRITTEN APPROVAL OF BEL FUSE INC.

MECHANICAL SPECIFICATION

PRELIMINARY



- NOTES:
- PLASTIC HOUSING: THERMOPLASTIC PBT.
FLAMMABILITY RATING UL 94V-0
 - CONTACTS: 30 MICRO-INCH HARD GOLD PLATING
 - OUTPUT PINS: LEAD FREE COPPER WIRES, DIA 0.018 INCH.
 - METAL SHIELD: NICKEL PLATED ON COPPER ALLOY.
(ALL GROUND LEADS ARE SOLDER DIPPED)
 - [1] MARK PART WITH MFG. LOGO, MFG. NAME, PART NUMBER, AND DATE CODE.

- 2. JACK CAVITY CONFORMS TO FCC RULES AND REGULATIONS.
- 3. RoHS COMPLIANCE, PER EU DIRECTIVE 2002/95/EC.
- 4. THE PRODUCT IS PATENTED, THE PATENT NUMBER IS U.S. PAT. 5,736,910.

ORIGINATED BY	DATE	TITLE	PART NO. / DRAWING NO.	STANDARD DIM. TOL. IN INCH	[] METRIC DIM. AS REFERENCE
LIU QIN	05-19-09	1X1 MagJack® With LEDs PATENTED	0875-1A1T-P2	.X	UNIT : INCH [mm]
DRAWN BY	DATE		FILE NAME	.XX	SCALE : N/A
XIAN JIAXIN	05-19-09		0875-1A1T-P2_PC.DWG	.XXX ±0.010	SIZE : A4
					PAGE : 3



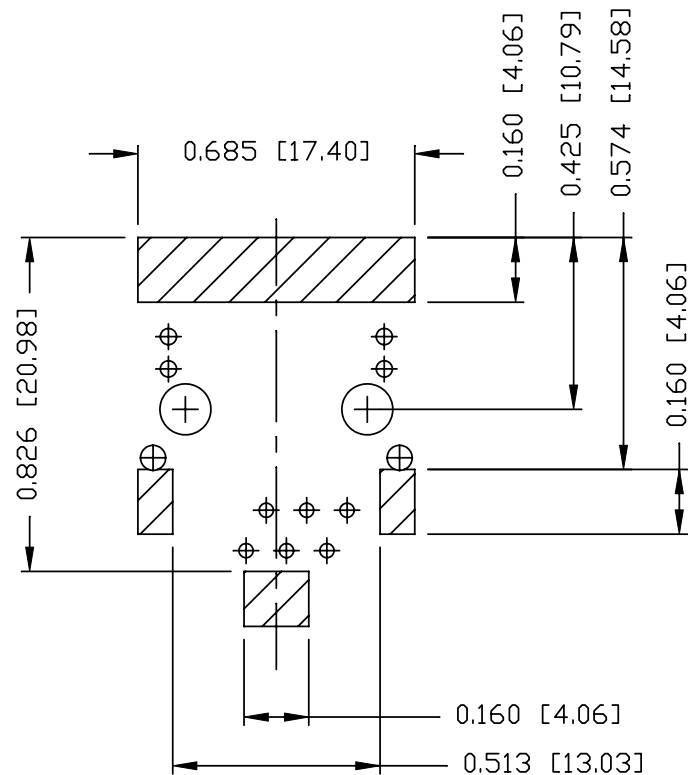
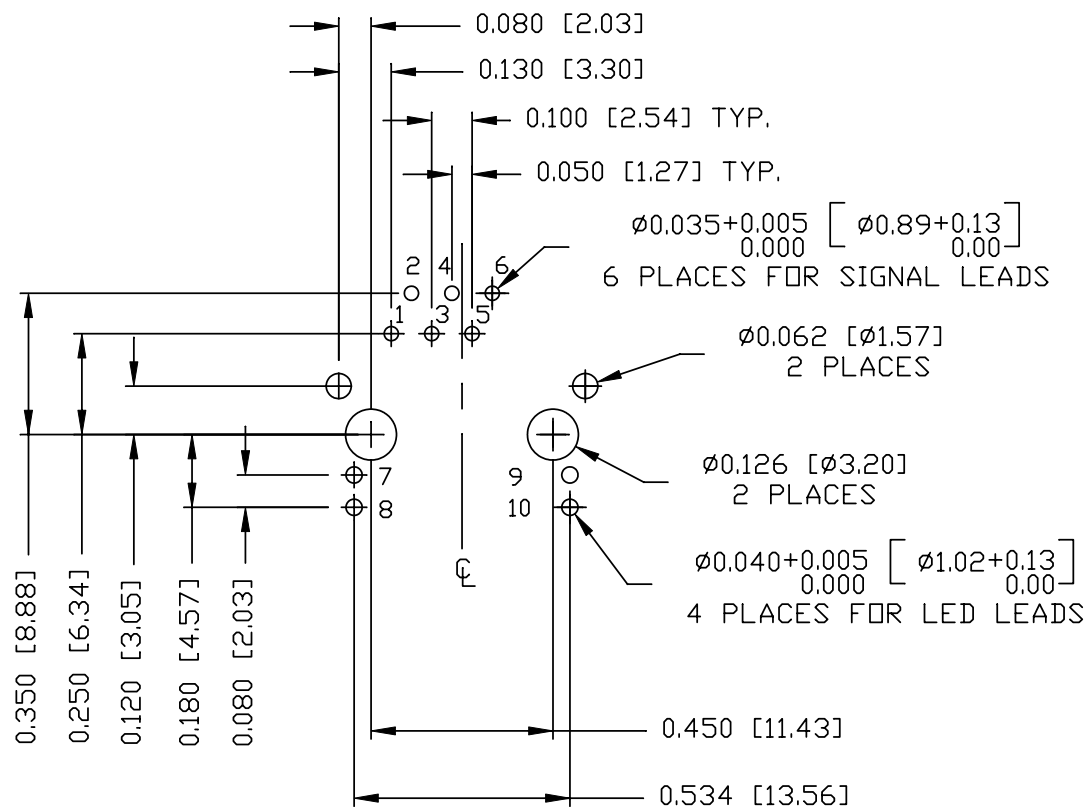
THE INFORMATION CONTAINED HEREIN IS CONSIDERED "PROPRIETARY" TO BEL FUSE INC. AND SHALL NOT BE COPIED, REPRODUCED OR DISCLOSED WITHOUT THE WRITTEN APPROVAL OF BEL FUSE INC.

PRELIMINARY



RECOMMENDED PCB FOOTPRINT

COMPONENT SIDE VIEW



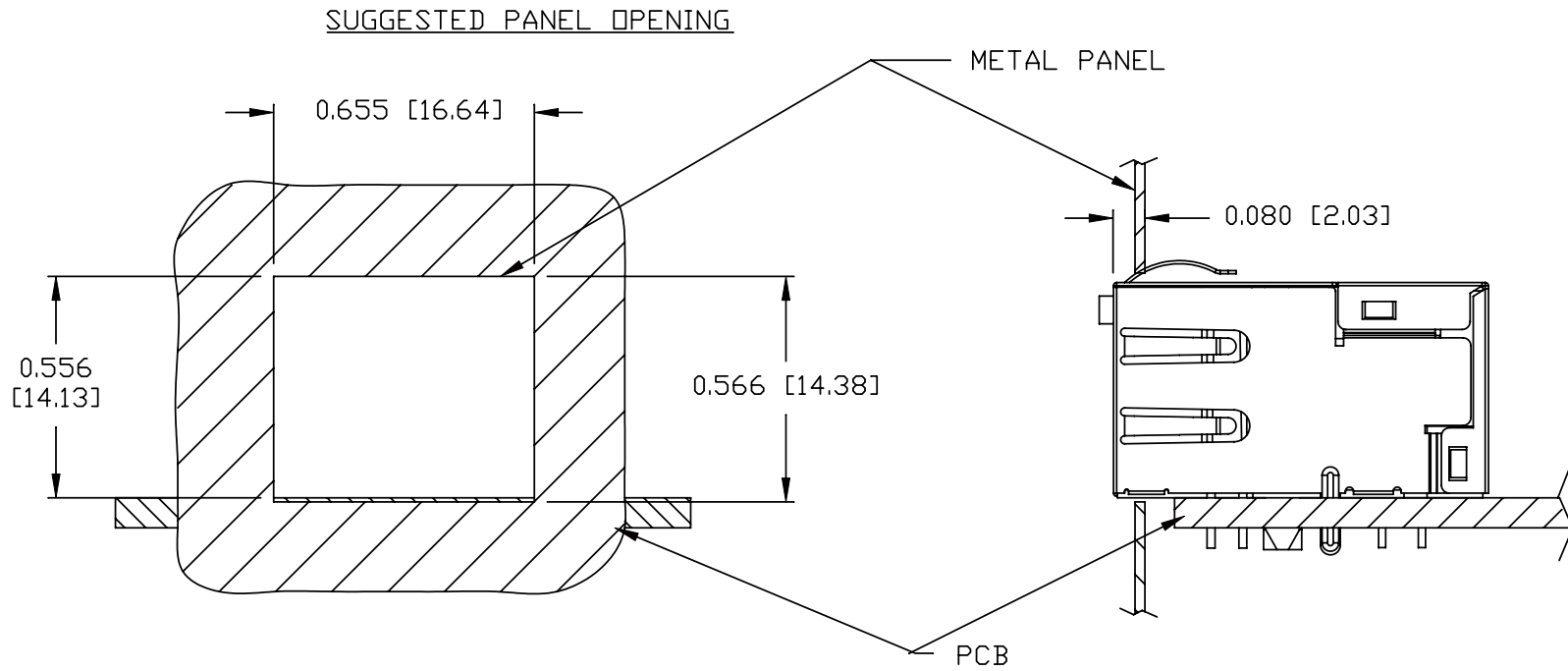
NOTE:

THE SHADED AREA ON THE CUSTOMER BOARD ARE RECOMMENDED TO BE CLEAR OFF ANY VIA HOLE OR COMPONENT PAD.

ORIGINATED BY	DATE	TITLE 1X1 MagJack® With LEDs PATENTED	PART NO. / DRAWING NO.	STANDARD DIM. TOL. IN INCH		[] METRIC DIM. AS REFERENCE		 COMPONENTS FOR A CONNECTED PLANET
LIU QIN	05-19-09		0875-1A1T-P2	.X		UNIT : INCH [mm]	REV. : PC	
DRAWN BY	DATE		FILE NAME	.XX		SCALE : N/A	SIZE : A4	
XIAN JIAXIN	05-19-09	0875-1A1T-P2_PC.DWG	.XXX	±0.004		PAGE : 4		

THE INFORMATION CONTAINED HEREIN IS CONSIDERED "PROPRIETARY" TO BEL FUSE INC. AND SHALL NOT BE COPIED, REPRODUCED OR DISCLOSED WITHOUT THE WRITTEN APPROVAL OF BEL FUSE INC.

PRELIMINARY



NOTE:

THE DISTANCE OF PANEL INSIDE SURFACE RELATIVE TO FRONT SURFACE OF PART IS ONLY A SUGGESTION. IN CASE THIS DISTANCE IS DIFFERENT, THE REQUIRED PANEL OPENING DIMENSIONS CHANGE ACCORDINGLY.

PACKING INFORMATION

PACKING TRAY : 0200-9999-H7 (TOP)

0200-9999-H8 (BOTTOM)

PACKING QUANTITY : 60 PCS FINISHED GOODS PER TRAY

9 TRAYS (540 PCS FINISHED GOODS) PER CARTON BOX

NOTE : CARDBOARDS ARE PLACED BETWEEN LAYERS OF PACKING TRAY INSIDE CARTON BOX (INCLUDE THE UPPERMOST AND LOWERMOST TRAY)

ORIGINATED BY LIU QIN	DATE 05-19-09	TITLE 1X1 MagJack® With LEDs PATENTED	PART NO. / DRAWING NO. 0875-1A1T-P2	STANDARD DIM. TOL. IN INCH	[] METRIC DIM. AS REFERENCE	
	DRAWN BY XIAN JIAXIN		DATE 05-19-09	FILE NAME 0875-1A1T-P2_PC.DWG	.X .XX .XXX	UNIT : INCH [mm]
				±0.004	SCALE : N/A	SIZE : A4
						PAGE : 5



X-ON Electronics

Largest Supplier of Electrical and Electronic Components

Click to view similar products for [Modular Connectors](#) / [Ethernet Connectors](#) category:

Click to view products by [Bel Fuse](#) manufacturer:

Other Similar products are found below :

[RJE231881317T](#) [MP1010RX-1000](#) [MP44RX-1000](#) [GAX-3-66](#) [GAX-8-62](#) [93606-0253](#) [GD-A-44](#) [GDCX-PA-66-50](#) [GDCX-PN-64](#) [GDCX-PN-66](#) [GDCX-PN-66-50](#) [GDLX-A-66](#) [GDLX-A-88](#) [GDLX-N-66](#) [GDLX-S-88K](#) [GDTX-S-88-50](#) [GDX-PA-1010](#) [GLX-N-1010M-BLK](#) [GLX-N-44M](#) [GLX-S-88M-BLK](#) [GMX-N-1010](#) [GMX-S-1010](#) [GMX-S-66](#) [GMX-SMT2-N-1010](#) [GMX-SMT2-N-64-50](#) [GMX-SMT2-S6-88](#) [GMX-SMT4-N-88](#) [GPX-2-64](#) [GRT1-BT1-5](#) [GSGX-N-2-88](#) [GSX-NS2-88-3.05](#) [GSX-NS2-88-3.05-50](#) [GSX-NS-88-3.05-30](#) [GSX-NS-88-3.05-50](#) [GSX-NS-88-3.68](#) [1-1775629-2](#) [GWLX-S-88-GR](#) [GWLX-S9-88-YG](#) [1300500326](#) [1300500227](#) [1300530003](#) [1300570002](#) [1324640-4](#) [RJ11FTVC2G](#) [RJ11FTVC2N](#) [RJFTVX2SA1G](#) [132764-001](#) [1400000](#) [1413176](#) [1413235](#)