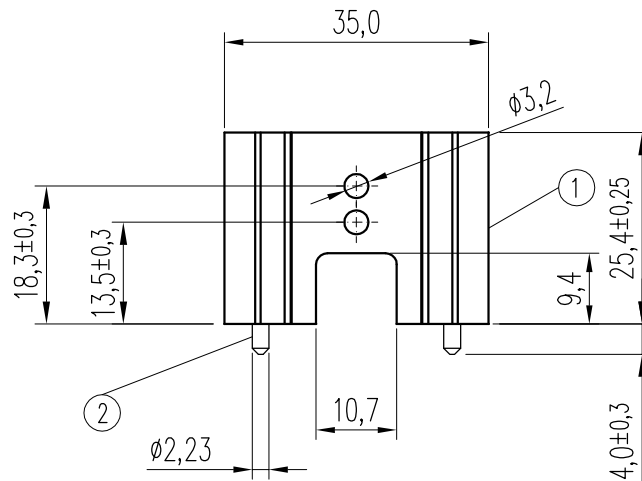
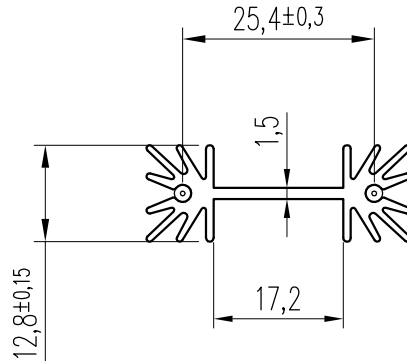


Pos.	Description	Q.ty	P/N
2	PIN-BRASS-D.2,23x15-TIN-BM012 B	2	406072G
1	HTSK-AL-0S172-25,4-B-ML73 6098 STD	1	405128



Note:

ML73 (S172/25.4 with pins)

Scale
1:1

THIS DOCUMENT CONTAINS AAVID THERMALLOY'S INTELLECTUAL PROPERTY WHICH IS SUPPLIED IN CONFIDENCE; IT MUST NOT BE USED FOR ANY PURPOSE OTHER THAN WHICH IT IS SUPPLIED; IT MUST NOT BE REPRODUCED WITHOUT WRITTEN PERMISSION FROM THE OWNERS



AAVID THERMALLOY
EUROPE www.aavidthermalloy.com

Via XXV Aprile, 32
40057 Cadriano - Bologna ITALY
Tel. +39 051 764011
Fax +39 051 764090

Cheney Manor
SWINDON WILTS SN2 2QN UK
Tel. +44 1793 401400
Fax +44 1793 615396

COMPANY
WITH QUALITY SYSTEM
CERTIFIED BY LRQA
ISO 9001:2000

1	B	13Jan05	RoHS compliant pins used; ECF 326 B0 refers	AS
	A	30Jul02	ORIGINAL (was L07355A)	
Format A4	REV	Date	Revision description	By
Die n.	MATERIAL Aluminium EN AW-6060			DRAWING n. BC092
Factor	GENERAL TOLERANCES Extrusion UNI3879			Description: HTSK-AL-0S172-25,4-B-PINS-ML73 6098 STD
Perim.	Machining UNI2768 m			
Area	FINISH BLACK ANODIZATION			CONF500-BC092 B
Weight				
Vis. n.	405130G			Drawn M. Calanchi
Check				

X-ON Electronics

Largest Supplier of Electrical and Electronic Components

Click to view similar products for [Heat Sinks](#) category:

Click to view products by [Aavid](#) manufacturer:

Other Similar products are found below :

[581102B00000G](#) [630-35ABT3](#) [656-15ABPE](#) [657-20ABPNE](#) [73452PPBA](#) [7721-13NG](#) [7G0011A](#) [FI306/SE](#) [PF720G](#) [A22-4026](#) [120-1873-007](#) [HAH10L](#) [1542256-2](#) [1542026-1](#) [1542616-1](#) [HS-2506-F1](#) [HS-87M0-F2](#) [218-40CTE3](#) [25-7520](#) [188854F00000G](#) [F-QB-F1](#) [APA501-60-003](#) [253-122ABE-22](#) [PSC22CB](#) [CLP-201](#) [CLP212SG](#) [CLP-7701G](#) [HAA072](#) [HAA083](#) [HAF10L](#) [HAQ10T](#) [D10100-28](#) [TO5-002D](#) [513101B02500G](#) [BDN183CBA01](#) [531202B0000](#) [HS-56M0-C1](#) [3-21053-4](#) [TX0506-1B](#) [TX1806B](#) [336614B-00000](#) [V2004X](#) [LAE66A3CB](#) [WA-DT2-101E](#) [511-3U](#) [017177](#) [530510B00000G](#) [6110BG](#) [73381PPBA](#) [73403PPBA](#)