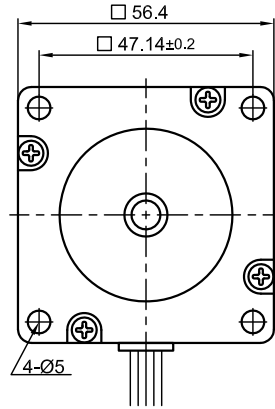
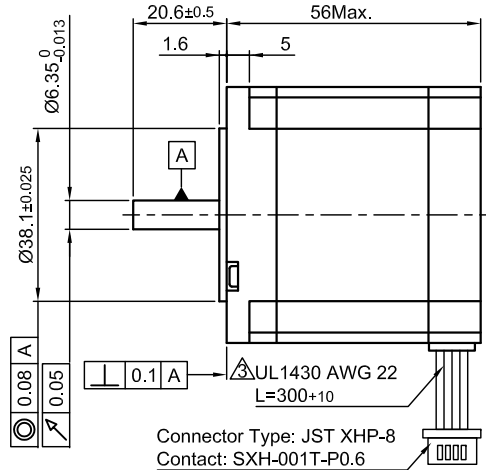


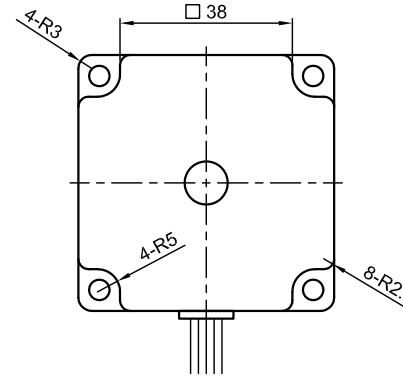
Front view and mounting



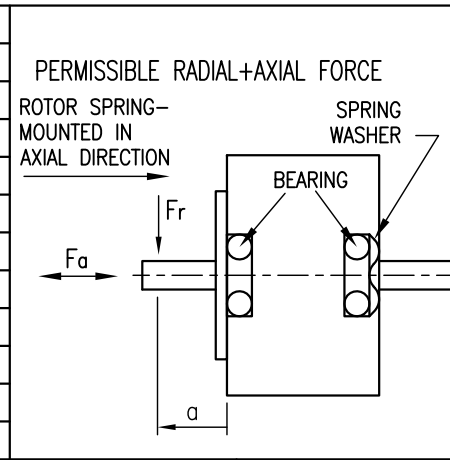
Side view



Rear view



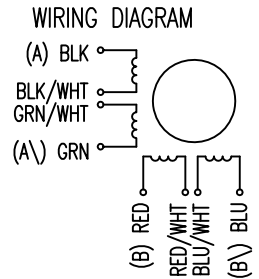
SPECIFICATION	CONNECTION	UNIPOLAR OR BIPOLAR-1 WINDING	BIPOLAR	
			SERIAL	PARALLEL
VOLTAGE (VDC)		2.1		
AMPS/PHASE		3.0	2.12	4.24
RESISTANCE/PHASE (Ohms)@25°C		0.7±10%	1.4±10%	0.35±10%
INDUCTANCE/PHASE (mH) @1KHz		1.3±20%	5.2±20%	1.3±20%
HOLDING TORQUE (Nm) [lb-in]		0.88 [7.8] Δ	Δ 1.24 [10.98]	Δ 1.24 [10.98]
DETENT TORQUE (Nm) [lb-in]		0.04 [0.354]		
STEP ANGLE (°)		1.8		
ACCURACY(NON-ACCUM)		±5%		
ROTOR INERTIA (Kg-m ²) [lb-in ²]		3.0x10 ⁻⁵ [0.102]		
WEIGHT (Kg) [lb]		0.7 [1.54]		



TYPE OF CONNECTION (EXTERN)				MOTOR		
UNIPOLAR	BIPOLAR 1 WINDING	SERIAL	PARALLEL	CONNECTOR PIN NO. Δ	LEADS	WINDING
A	A	A	A	1	BLK	A
COM	A			3	BLK/WHT	
A\		A\	A\	2	GRN/WHT	A\
B	B	B	B	4	GRN	B
COM	B			5	RED	
B\		B\	B\	7	RED/WHT	B\
				6	BLU/WHT	
				8	BLU	

FULL STEP 2 PHASE-Ex.,
WHEN FACING MOUNTING END (X)

STEP	A	B	A\	B\	CCW	CW
1	+	+	-	-		
2	-	+	+	-		
3	-	-	+	+		
4	+	-	-	+		



4	HOLD.TOR.+DELE. BACK-EMF	18.10.13	J.D.
3	NEW UL NO.	28.07.09	J.W.
2	PIN-ASSIGNMENT	08.01.08	J.W.
REV	DESCRIPTION	DATE	APVD



ST5918M3008-A

SCALE FREE	APVD	S.Ha.	19.03.07
X ±0.5	CHKD		
1PL ±0.2	DRN	J.W.	21.11.06
2PL ±0.1	SIGNATURE		DATE
ANGLE ±30'			

STEPPING MOTOR

DWG.NO

ST5918M3008-A

X-ON Electronics

Largest Supplier of Electrical and Electronic Components

Click to view similar products for [nanotec](#) manufacturer:

Other Similar products are found below :

[LSNUT-T6X2-F](#) [STF2818X0504-A](#) [SP2575M0206-A](#) [DB59C024035-A](#) [SP1518M0204-A](#) [ST5918M3008-A](#) [ST6018L3008-A](#) [ZKRS485-USB](#) [SP3575M0906-A](#) [C5-01](#) [ST2818S1006-B](#) [SMCI35](#) [ST4118L1804-A](#)