

A new and unique range of Die-Cast Hoods for sub D connectors to suit all applications with one adaptable product range. This high-grade system gives exceptional RFI/EMI shielding and conforms to European and US standards when used as part of an approved installation. You just choose which method of assembly suits your application best.

MHDM Series - MH Multi Standard Assembly D Hoods

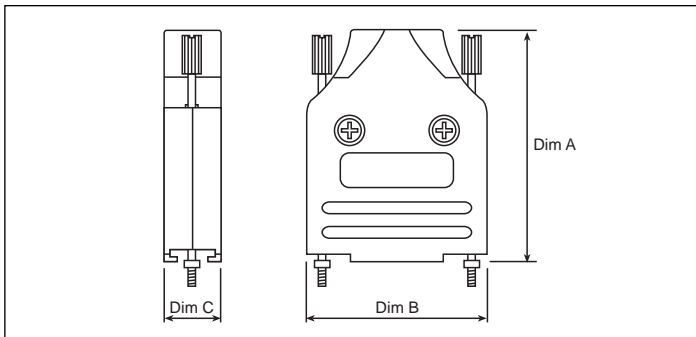


Standard Assembly

This variation has been designed with the cable assembler in mind. It allows for quick assembly of the cable to the hood and holds the cable in place while the rest of the assembly is completed. Through use of the metallised plastic inserts maximum 360 degree shielding is maintained at the critical cable entry area. Simple removal of the inserts allows for easy reworking or maintenance.

Order Code

Series	MHDM	25	B	K
Size:	9,15, 25 or 37			
Plating Select:	Omit = Nickel B = Black K = Individually Kitted Omit = Bulk			



Ways	Dim A	Dim B	Dim C
9	41.3	32.2	15.4
15	43.3	40.6	15.4
25	49.5	54.5	15.4
37	54.3	70.7	15.4

MHEE Series - MH Multi Cone Style D Hoods

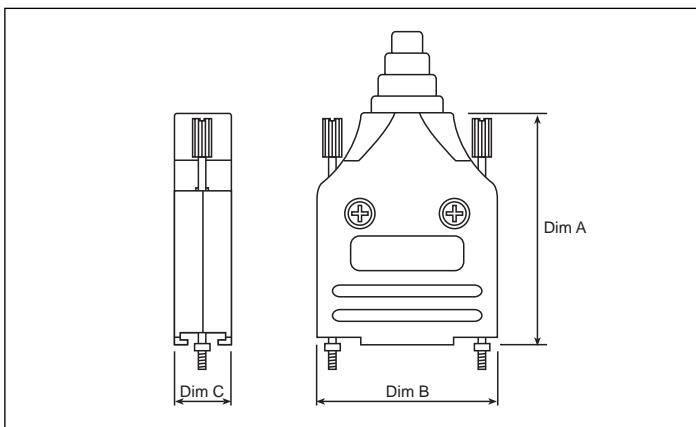


Cone Style

This well proven system also gives 360 degree shielding through the use of a unique metallised cone insert which can be cut to suit your cable size - using a tool for larger volumes or a knife for smaller volumes. The cone can be left out if lower shielding levels are acceptable.

Order Code

Series	MHEE	25	B	K
Size:	9,15, 25 or 37			
Plating Select:	Omit = Nickel B = Black K = Individually Kitted Omit = Bulk			
Order part MHDCTMC =	Cutting Tool for Cone Insert			



Ways	Dim A	Dim B	Dim C
9	41.3	32.2	15.4
15	43.3	40.6	15.4
25	49.5	54.5	15.4
37	54.3	70.7	15.4

MHC Series - MH^{ulti} Crimp Style D Hoods

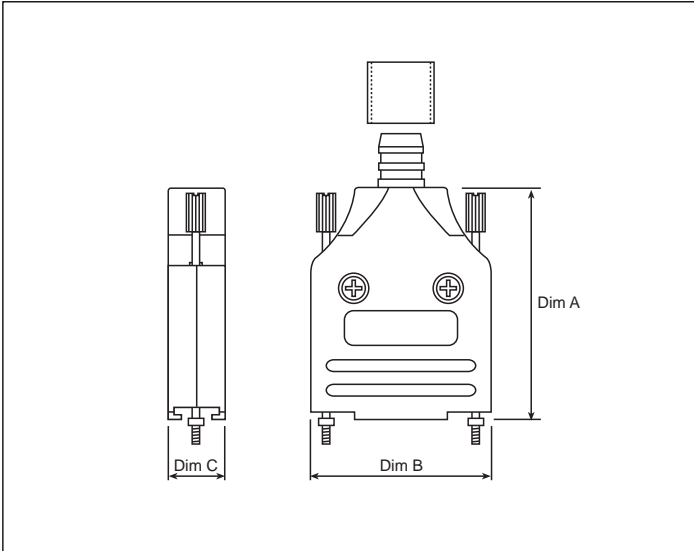


Crimp Style

For use where braided cable only is used for a stronger, permanent earth path, this crimp system is effective and easy to use along with the MH crimp tool and dies. Allows for pre-assembly of the earth connection before making off the connector and back-shell.

Order Code

Series **MHC** **25** **B** **K**
 Size: _____
 9,15, 25 or 37
 Plating Select: _____
 Omit = Nickel
 B = Black
 K = Individually Kitted _____
 Omit = Bulk

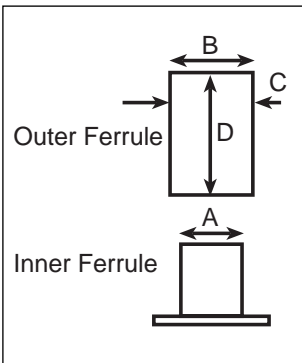


Ways	Dim A	Dim B	Dim C
9	41.3	32.2	15.4
15	43.3	40.6	15.4
25	49.5	54.5	15.4
37	54.3	70.7	15.4

Ferrule Crimp Tool and Dies

Part No. Description

MHDCOOL	Ferrule Crimp Tool
MHCDIE-5.0	5.0mm Ferrule Die Set
MHCDIE-6.0	6.0mm Ferrule Die Set
MHCDIE-7.0	7.0mm Ferrule Die Set
MHCDIE-7.4	7.4mm Ferrule Die Set
MHCDIE-8.6	8.6mm Ferrule Die Set



Ferrule Kit	For Maximum Cable O/D	Feed Through A	Inner Diameter B	Outer Diameter C	Length D	Crimp Dies E
MHC5.0	7.0	5.0	7.1	8.0	16.0	CD1
MHC6.0	8.0	5.0	8.1	9.0	16.0	CD2
MHC7.0	10.0	7.0	10.0	11.6	20.0	CD3
MHC7.4	10.5	7.4	10.5	12.0	20.0	CD4
MHC8.6	11.2	8.6	11.2	12.5	20.0	CD5

Other sizes available on request

Choose the Ferrule kit and matching Dies plus MHCT tool with the MHC range

X-ON Electronics

Largest Supplier of Electrical and Electronic Components

Click to view similar products for [mh connectors](#) manufacturer:

Other Similar products are found below :

[MHDCMR37-ULP](#) [C88E310000](#) [MHD45ZK25-DM25P-K](#) [MHCCOV-25SC-BK](#) [MHDTZK15-RA-K](#) [DSSKP15L-DB15S-K](#) [DSSKM15L-DB15S-K](#) [MHDM25-DM25P-K](#) [MHRJ126P4CR](#) [BNC4MML1MRG58](#) [RJ45SRB-RET-O](#) [MHDPPK25-Y-K](#) [MHCCOV-9ME](#) [BNCL2.0MRG58](#) [MHDD15-F-T-B-M](#) [MHDD9-M-T-B-M](#) [MHDM15-K](#) [MHDTZK25-K](#) [MHRJ126P6CR](#) [MHDM9-DB9P-K](#) [RJ45SRB-LGREY](#) [MHED-DS25S](#) [BNCL1.0MRG58](#) [MHDM25-K](#) [RG58SRB-G](#) [MHD45PK37-K](#) [MHDTPPK25-DB25SK](#) [MHDU45ZK09-K](#) [DA9-PMJ8-B-K](#) [MHD45ZK50-K](#) [MHDD25-M-T-B-S](#) [MHDB50SP](#) [MH3101S-8821](#) [RG58SRB-R](#) [MHRJ116P4CR](#) [MHTRI-M-9-K](#) [MHDD25-F-T-B-M](#) [MHDM9-DB9S-K](#) [MHDPPK-M-37-K](#) [MHDTPPK37-K](#) [DA9-SMJ8-R-K](#) [RG58SRB-BE](#) [MHDM25-DB25P-K](#) [GA0909FFLGK-RC](#) [MHCCOV-15SN-LG](#) [MHDTZK9-RA-K](#) [DSSKM25L-DB25P-K](#) [MHD45ZK9-DM9P-K](#) [MHDVSL25-K](#) [MHCCOV-25SC-LG](#)