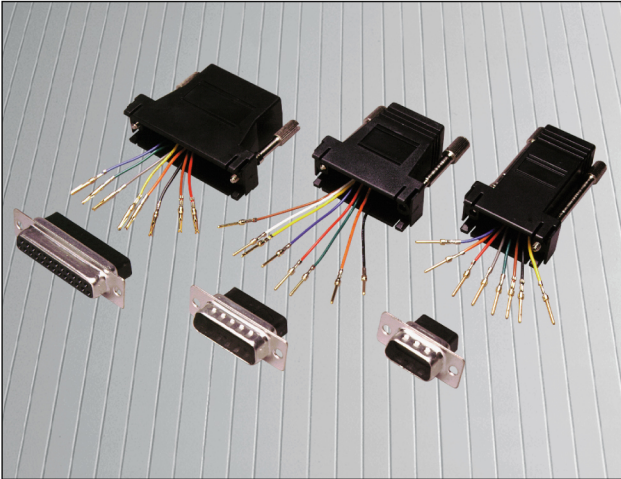


## MHDA Series - Modular Jack Adaptors Unshielded



- 9, 15 & 25 way D type Male and Female variations.
- Adaptors supplied complete with connector unwired. (Pre-wired adaptors available on request.)
- Coloured variations available on request.

### Order Code

**MHDA 25 - P MJ8 - Red K**

Series \_\_\_\_\_

Size \_\_\_\_\_  
9, 15, 25

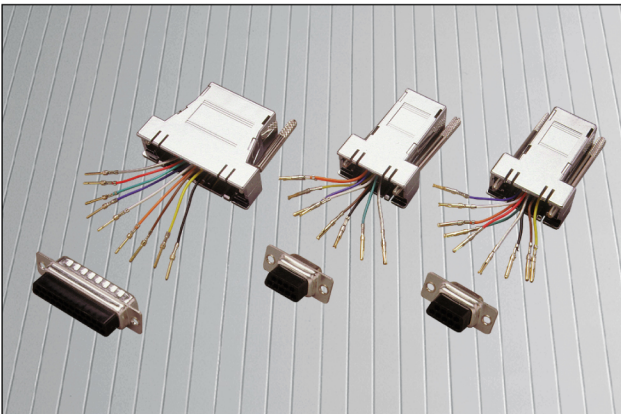
Gender \_\_\_\_\_  
P = Male  
S = Female

Socket Type \_\_\_\_\_  
MJ6-RJ11 = 6 way  
MJ8-RJ45 = 8 way

Finish \_\_\_\_\_  
Omit = Black, R = Red, B = Blue, G = Green,  
Y = Yellow, LG = Light Grey

Packaging Style \_\_\_\_\_  
Omit = Bulk  
K = Individually kitted

## MHDA Series - Modular Adaptors Shielded

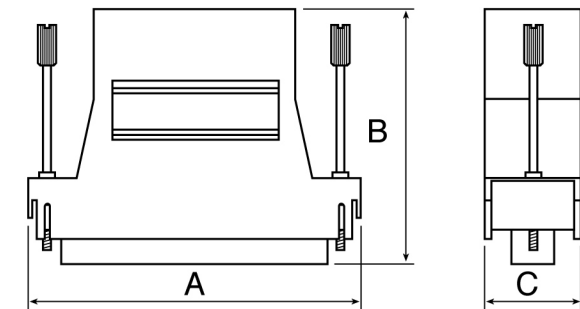


### Order Code

MHDA9-PMJ8-M-K = 9 Way Male to RJ45 Adaptor Shield  
 MHDA9-SMJ8-M-K = 9 Way Female to RJ45 Adaptor Shielded  
 MHDA25-PMJ8-M-K = 25 Way Male to RJ45 Adaptor Shielded  
 MHDA25-SMJ8-M-K = 25 Way Female to RJ45 Adaptor Shielded

### Pin Configurations

9/25 Black	9/15/25 Grey	Shielded
1 - Black	1 - Blue	1 - Black
2 - Yellow	2 - Orange	2 - Yellow
3 - Orange	3 - Black	3 - Orange
4 - Red	4 - Red	4 - Red
5 - Green	5 - Green	5 - Green
6 - Brown	6 - Yellow	6 - Brown
7 - Grey	7 - Brown	7 - Grey
8 - Blue	8 - White	8 - Blue
		Drain Wire



### Dimensions (in mm) - 9, 15 & 25 Ways

	9	15	25
<b>A</b>	32	49	15.5
<b>B</b>	41	39	15.5
<b>C</b>	55	39	15.5

## X-ON Electronics

Largest Supplier of Electrical and Electronic Components

*Click to view similar products for [mh connectors manufacturer](#):*

Other Similar products are found below :

[MHDCMR37-ULP](#) [CCOV-37SC-BLACK](#) [C88E310000](#) [DSSKP15L-DB15S-K](#) [MHD45ZK25-DM25P-K](#) [MHHDS26-F-T-B-S](#) [MHCCOV-25SC-BK](#) [MHDTZK15-RA-K](#) [DSSKM15L-DB15S-K](#) [MHDM25-DM25P-K](#) [BNC4MML1MRG58](#) [RJ45SRB-RET-O](#) [MHDPPK25-Y-K](#) [MHDM9-DB9P-K](#) [MHCCOV-9ME](#) [BNCL2.0MRG58](#) [MHDD15-F-T-B-M](#) [MHDTZK25-K](#) [MHRJ126P6CR](#) [RJ45SRB-LGREY](#) [MHED-DS25S](#) [BNCL1.0MRG58](#) [MHDM25-K](#) [RG58SRB-G](#) [MHD45PK37-K](#) [MHDTPPK25-DB25SK](#) [MHDU45ZK09-K](#) [DA9-PMJ8-B-K](#) [MHD45ZK50-K](#) [MHDD25-M-T-B-S](#) [RG58SRB-R](#) [MHDB50SP](#) [MH3101S-8821](#) [RJ45SRB-RED](#) [MHRJ116P4CR](#) [MHTRI-M-9-K](#) [MHDM35-9-K](#) [DSSKM25L-DB25P-K](#) [MHDPPK-M-37-K](#) [MHDTPPK37-K](#) [MHRJJ44NFV](#) [GA0909FFLGK-RC](#) [DA9-SMJ8-R-K](#) [RG58SRB-BE](#) [MHDM25-DB25P-K](#) [MHCCOV-15SN-LG](#) [MHDTZK9-RA-K](#) [MHDVSL25-K](#) [MHCCOV-25SC-LG](#) [DJF-14](#)