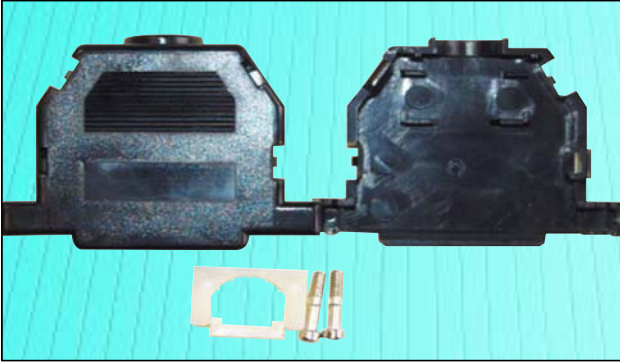
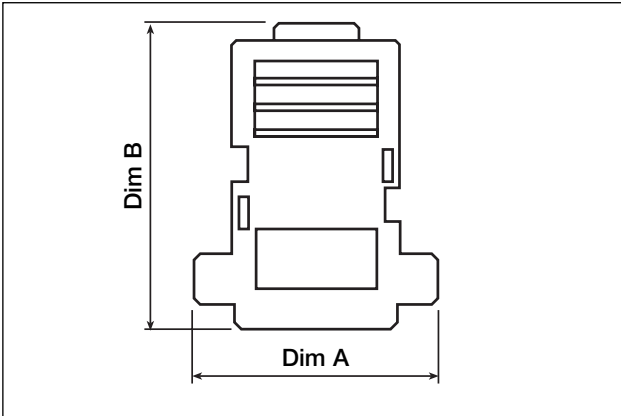


## MHCCOV-SN - Series Snap together D Hoods



- Available with Short Jack Screws only
- Available in 9, 15 & 25 Way options
- Available in two colours - Black or Light Grey



### Order Code

Series                      **MHCCOV** **25** **SN** **Black**

Size:                       
9,15, & 25 Way

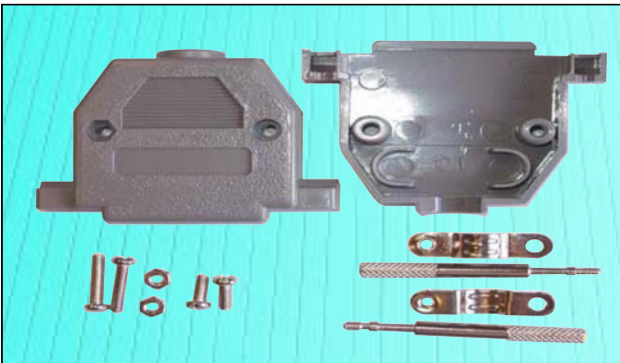
Hood Type:                       
SN = Snap Together

Colour:                       
Black = Black, Grey = Light Grey

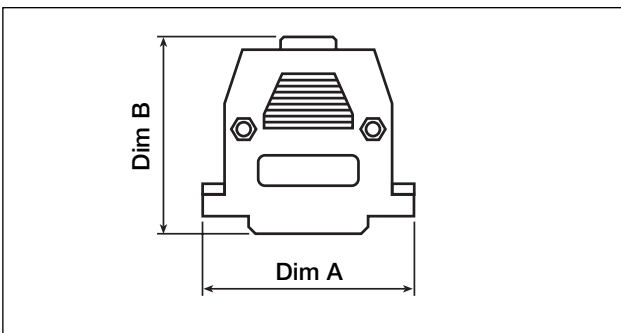
- Manufactured in UL94HB material
- Custom Colours available

Ways	Dim A	Dim B
9	30.5	39.2
15	40.1	39.6
25	53.6	42.1

## MNCCOV-SC - Series Screw together D Hoods



- Available with Short & Long Jack Screws
- Available in 9, 15, 25, 37 & 50 Way options
- Available in two colours - Black or Grey



### Order Code

Series                      **MHCCOV** **15** **SCL** **Grey**

Size:                       
9,15, 25, 37 & 50 Way

Jack Screw Type:                       
SC = Short, SCL = Long

Colour:                       
Black = Black, Grey = Grey

- Manufactured in UL94HB material
- Custom Colours available

Ways	Dim A	Dim B
9	31.4	40.2
15	39.6	35.8
25	55.0	42.0
37	69.0	51.0
50	69.5	43.9

## X-ON Electronics

Largest Supplier of Electrical and Electronic Components

*Click to view similar products for [mh connectors manufacturer](#):*

Other Similar products are found below :

[MHDCMR37-ULP](#) [C88E310000](#) [MHD45ZK25-DM25P-K](#) [MHCCOV-25SC-BK](#) [MHDTZK15-RA-K](#) [DSSKP15L-DB15S-K](#) [DSSKM15L-DB15S-K](#) [MHDM25-DM25P-K](#) [MHRJ126P4CR](#) [BNC4MML1MRG58](#) [RJ45SRB-RET-O](#) [MHDPPK25-Y-K](#) [MHCCOV-9ME](#) [BNCL2.0MRG58](#) [MHDD15-F-T-B-M](#) [MHDD9-M-T-B-M](#) [MHDM15-K](#) [MHDTZK25-K](#) [MHRJ126P6CR](#) [MHDM9-DB9P-K](#) [RJ45SRB-LGREY](#) [MHED-DS25S](#) [BNCL1.0MRG58](#) [MHDM25-K](#) [RG58SRB-G](#) [MHD45PK37-K](#) [MHDTPPK25-DB25SK](#) [MHDU45ZK09-K](#) [DA9-PMJ8-B-K](#) [MHD45ZK50-K](#) [MHDD25-M-T-B-S](#) [MHDB50SP](#) [MH3101S-8821](#) [RG58SRB-R](#) [MHRJ116P4CR](#) [MHTRI-M-9-K](#) [MHDD25-F-T-B-M](#) [MHDM9-DB9S-K](#) [MHDPPK-M-37-K](#) [MHDTPPK37-K](#) [DA9-SMJ8-R-K](#) [RG58SRB-BE](#) [MHDM25-DB25P-K](#) [GA0909FFLGK-RC](#) [MHCCOV-15SN-LG](#) [MHDTZK9-RA-K](#) [DSSKM25L-DB25P-K](#) [MHD45ZK9-DM9P-K](#) [MHDVSL25-K](#) [MHCCOV-25SC-LG](#)