

THIS DRAWING IS UNPUBLISHED.

RELEASED FOR PUBLICATION

© COPYRIGHT - By -

ALL RIGHTS RESERVED.

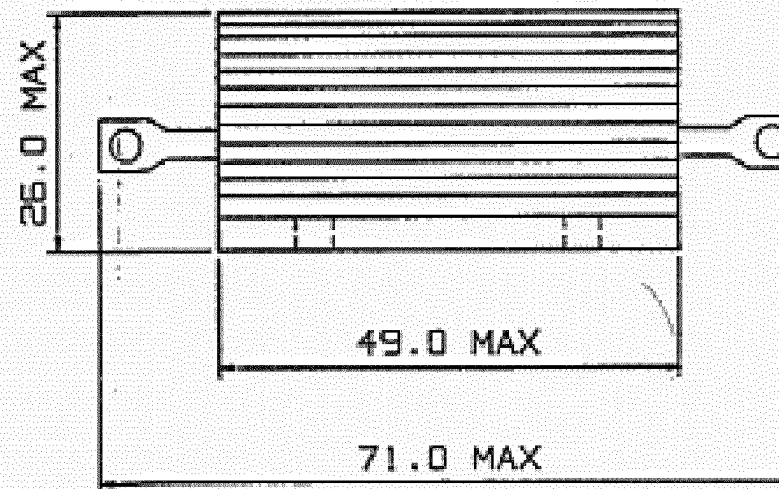
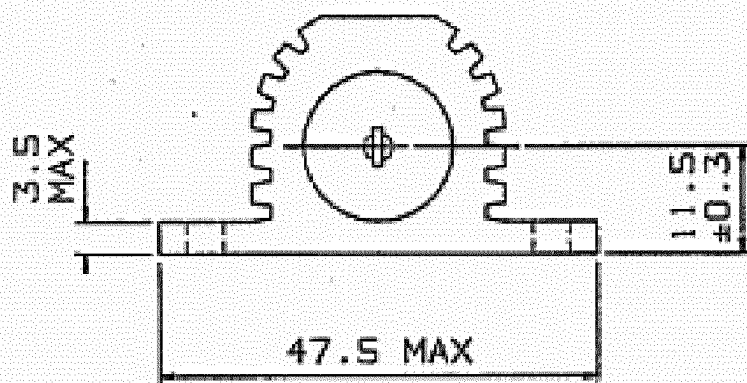
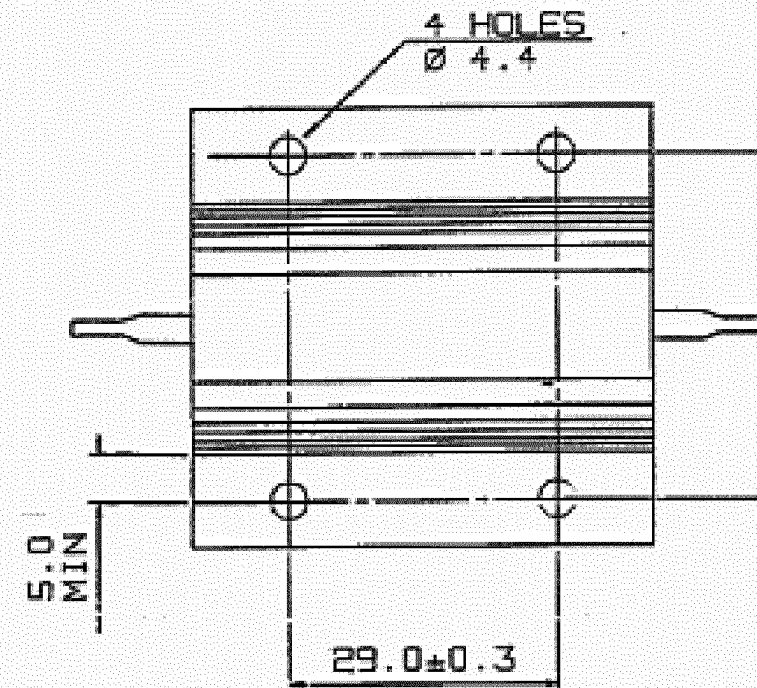
LOC E DIST B

REVISIONS

P	LTR	DESCRIPTION	DATE	DWN	APVD
	A1	REVISED PER ECO-11-005150	21MAR11	RK	HMR

**TECHNICAL SPECIFICATION**

DISSIPATION AT 25°C 75 WATTS MOUNTED  
 OHMIC RANGE ON STD HEATSINK  
 R10 TO 50K  
 STABILITY ΔR <=2%  
 per 1000hrs  
 ISOLATION VOLTAGE 3500v DC/AC pk  
 MAX WORKING VOLTAGE 1400V DC/AC rms  
 TEMP COEFFICIENT >1R0 50ppm  
 >100R 25ppm  
 CLIMATIC CATEGORY 55/200/56



NOTE:  
 1) FOR A SPECIFIC PN FOR A RESISTANCE VALUE AND TOLERANCE, PLEASE REFER TO DMF.

**RoHS Compliant**

THIS DRAWING IS A CONTROLLED DOCUMENT.		DWN 03JUN08 PRAKASH KANNIAH	<b>STE</b> TE Connectivity		
DIMENSIONS: mm		CHK 03JUN08 R BLANCH			
TOLERANCES UNLESS OTHERWISE SPECIFIED:		APVD 03JUN08 J CATCHPOLE	NAME THS75 METAL CLAD RESISTOR		
0 PLC ± -		PRODUCT SPEC	-		
1 PLC ± -		APPLICATION SPEC	-		
2 PLC ± -		WEIGHT	-		
3 PLC ± -		CUSTOMER DRAWING	-		
4 PLC ± -		SCALE	NTS		
ANGLES ± -		SIZE	A3		
FINISH		CAGE CODE	00779		
-		DRAWING NO	C-1879363		
-		RESTRICTED TO	-		
-		SHEET	1 OF 1		
-		REV	A1		

## X-ON Electronics

Largest Supplier of Electrical and Electronic Components

*Click to view similar products for [Wirewound Resistors - Chassis Mount](#) category:*

*Click to view products by [TE Connectivity](#) manufacturer:*

Other Similar products are found below :

[HD300HLR71J](#) [VK100NA-50](#) [40/70MJ2K00BE](#) [L75J1K0E](#) [VK100NA250](#) [L100J150E-MT1](#) [L50J500E-MT1](#) [SL130J100K-12](#)  
[HSC1004R0F](#) [F30J20R](#) [HSC1008R0F](#) [HSX25R22J](#) [L100J40K](#) [CL65J10R](#) [HSW600 47R J](#) [HSW600 1R J](#) [L12NJ20R](#) [75342-400](#) [HSW600](#)  
[22R J](#) [VRH320 1K K](#) [VRH320 100R K](#) [968.15 110M C E](#) [HSW600 4R7 J](#) [40/70MJ230R0HE](#) [1-2176247-6](#) [1-2176248-5](#) [C1500K12R](#)  
[FST02515E50R00KEE3](#) [AG5NFR68E](#) [AG12NFR68E](#) [AG12NFR47E](#) [AG12NFR56E](#) [AG12NFR33E](#) [CL25J39R](#) [AG12NFR22E](#) [850J220E](#)  
[AG12NFR10E](#) [CL225J30K](#) [810F7R7E](#) [LN100J75RE](#) [D50K100-B](#) [L225J6K0E](#) [21025K538-5R0KE](#) [LN80J30R](#) [C300KR75E](#) [D50K25R-B](#)  
[LN80J14R](#) [L50JR60E](#) [L100J400E](#) [LN50J7K5](#)