



Encoder accessories



FB29B

Bellows coupling FB29B

for encoder with shaft \varnothing 6 mm, 10 mm.



Product data

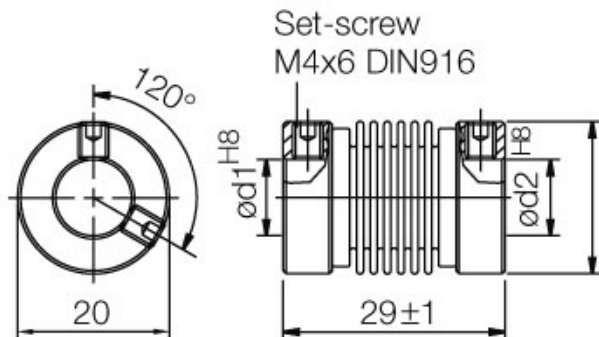
| | |
|-------------------------------|--|
| Max. operating speed | 10000 rpm |
| Max. torque | 80 Ncm |
| Max. offset of shafts radial | ± 0.25 mm |
| Max. offset of shafts axial | ± 0.4 mm |
| Max. offset of shafts angular | $\pm 4^\circ$ |
| Torsion spring stiffness | 150 Nm/rad |
| Radial spring stiffness | 25 N/mm |
| Moment of inertia | 8 gcm ² |
| Max. clamping torque | 150 Ncm |
| Weight | 15 g |
| Material | Flange: Aluminium, anodised, Bellows: stainless steel |

Order number(s)

| | |
|-----------|--|
| FB29B0606 | Bellows coupling: \varnothing d1 = 6 mm, \varnothing d2 = 6 mm |
| FB29B1010 | Bellows coupling: \varnothing d1 = 10 mm, \varnothing d2 = 10 mm |

Drawings

All dimensional specifications in mm



X-ON Electronics

Largest Supplier of Electrical and Electronic Components

Click to view similar products for [wachendorff](#) manufacturer:

Other Similar products are found below :

[Wachendorff](#)