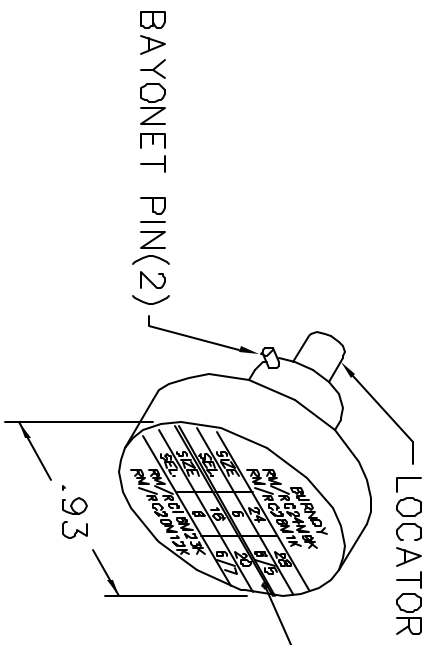
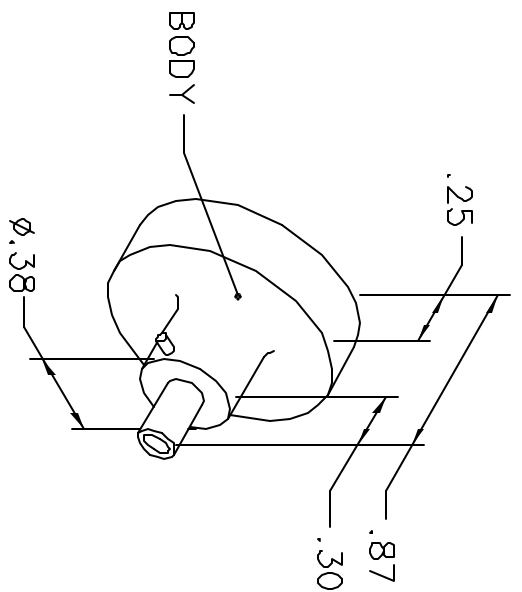


REVISIONS				
REV. SYM.	E.C.D. NUMBER	DESCRIPTION	BY DATE	APP'D DATE
1		ORIGINAL RELEASE	AAM 8-1-00	RRR 6-1-00

**UNCONTROLLED DOCUMENT
WILL NOT BE UPDATED**



BURNDY

RM/RC24M9K	SIZE	24	28
RM/RC28M1K	SEL.	6	6/5
	SIZE	16	20
	SEL.	8	6/7
			RM/RC16M23K
			RM/RC20M12K

NOTE: FOR USE WITH DANIELS MH860 CRIMP TOOL.

LOCATOR	
HOLE DIMENSIONS	ADDITIONAL FEATURES
∅.078 ∇.747	└┘ ∅.136 ∇.449

RESTRICTED & CONFIDENTIAL

CONFIDENTIAL PROPERTY OF DANIELS MANUFACTURING CORP. NOT TO BE DISCLOSED TO OTHERS, REPRODUCED OR USED FOR ANY OTHER PURPOSE, EXCEPT AS AUTHORIZED IN WRITING BY DANIELS MANUFACTURING. MUST BE RETURNED TO DANIELS MANUFACTURING CORP. ON COMPLETION OF ORDER OR OTHER PURPOSE FOR WHICH LENT.

DO NOT SCALE DRAWING

DRN. A. MOO-YOUNG	DATE 6-1-00
CHKD. RRR	DATE 6-1-00
APP'D.	DATE
APP'D.	DATE



DANIELS MANUFACTURING CORP.
ORLANDO, FLORIDA
CAGE 11851

TITLE: ENVELOPE DRAWING POSITIONER

WHERE USED: MH860	CAD P/N	SHEET	OF
SIZE A	86-164G-ENV	1	1
POSTING	P/N	REV.	
	86-164G-ENV	1	

X-ON Electronics

Largest Supplier of Electrical and Electronic Components

Click to view similar products for [daniels](#) manufacturer:

Other Similar products are found below :

[M81969/17-03](#) [M81969/17-09](#) [DAK20B](#) [DAK83S-20](#) [DRK20A](#) [TH452](#) [BT-J-130](#) [M81969/8-03 REV B](#) [TH70-1](#) [DRK230](#) [359-0697-020](#)
[DRK100-1](#) [MS24256A20](#) [M22520/5-01](#) [K13-1](#) [Y143](#) [MS24256R20](#) [DAK20](#) [BT-SJ-468-1](#) [BT-J-133](#) [M22520/4-01](#) [DRK95-20S](#) [GS100-1](#)
[MH-860](#) [M300BT](#) [AF8](#) [DAK95-22MB](#) [M81969/8 01](#) [DRK145](#) [AIC4EXT](#) [DBS-128-1](#) [M22520/5-105](#) [M85049/128-1](#) [M81969/17-04 REV](#)
[A](#) [Y631](#) [DAK16A](#) [DAK282](#) [GMT232](#) [M22520/2-02](#) [M22520/2-13](#) [DRK95-16](#) [K338](#) [DRK12B](#) [M81969/8-08](#) [AF8-DAN](#) [M22520/2-06](#)
[TH29-1](#) [DAK168-12](#) [DRK38](#) [M81969/8-07](#)