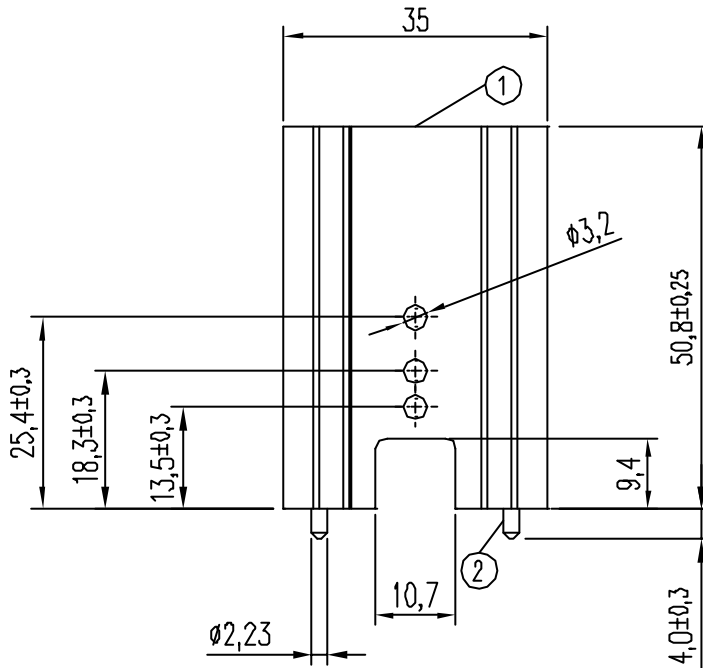
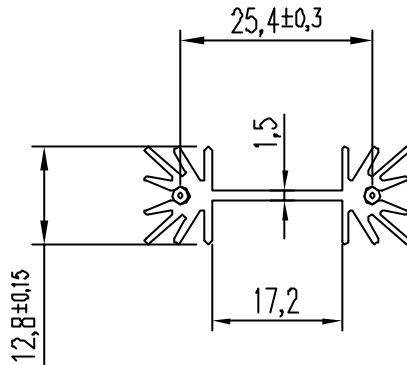



Pos.	Description	Q.ty	P/N
2	PIN-BRASS-D.2,23x15-TIN-BM012 B	2	406072G
1	HTSK-AL-0S097-50-B-ML97 STD	1	405124



Note:		Scale				
ML73(S172/50.8 with pins)		1:1				
THIS DOCUMENT CONTAINS AAVID THERMALLOY'S INTELLECTUAL PROPERTY WHICH IS SUPPLIED IN CONFIDENCE; IT MUST NOT BE USED FOR ANY PURPOSE OTHER THAN WHICH IT IS SUPPLIED; IT MUST NOT BE REPRODUCED WITHOUT WRITTEN PERMISSION FROM THE OWNERS		©				
		®				
 <b>AAVID THERMALLOY</b> EUROPE <a href="http://www.aavidthermalloy.com">www.aavidthermalloy.com</a> Via XXV Aprile, 82 40067 Cadriano - Bologna ITALY Tel. +39 051 784011 Fax +39 051 784090 CHENY MANOR SWINDON WILTS SN11 8ZN UK Tel. +44 1793 401400 Fax +44 1793 618998 COMPANY WITH QUALITY SYSTEM CERTIFIED BY LROA ISO 9001:2000	1	B	13Jan05	RoHS compliant pins used; ECF 325 B0 refers	AS	
		A	30Jul02	ORIGINAL (was L073D5A)		
Formak	A4	REV	Date	Revision description	By	
Mat. n.	MATERIAL Aluminium EN AW-6060			DRAWING n.	<b>BC090</b>	
Factor	GENERAL TOLERANCES Extrusion UNI3879			Vis. n.	405126G	
Perim.	Machining UNI2768			Drawn	M. Calanchi	
Arco	FINISH BLACK ANODIZATION			Check		
Weight				Description: HTSK-AL-DS172-50,8- -PINS-B-ML73 6100 STD CONF 500-BC090 B		

## X-ON Electronics

Largest Supplier of Electrical and Electronic Components

*Click to view similar products for [avid](#) manufacturer:*

Other Similar products are found below :

[4005G](#) [097995X](#) [593101B03600G](#) [0S509-140-U](#) [6W-1](#) [097987X](#) [098047EB](#) [358890](#) [2207/PR11B-2ASSYG](#) [780153U04600G](#)

[622852F00000G](#) [THM6070B](#) [782452F00000G](#) [520329A00000G](#) [241404B91200G318382](#) [025069A](#) [098067H](#) [7023B](#) [320105B00000G](#)

[623352F00000G](#) [607602F00000G](#) [098046G](#) [097990R](#) [358891](#) [654452F00000G](#) [780252F00000G](#) [SoftFlex-B016-20-01-4000-2000](#) [BS595-](#)

[50-B](#) [358894](#) [683601F00000](#) [7138DG](#) [4953G](#) [647061](#) [SW38-4](#) [THM6025B](#) [603402F00000G](#) [783452F00000G](#) [780802F00000G](#) [014379X](#)

[416301U00000G](#) [101800F00000G](#) [568103B00000G](#) [1130BG](#) [416601U00000G](#) [783502F00000G](#) [780652F00000G](#) [780302F00000G](#) [5901G](#)

[420932X](#) [725452F00000G](#)