



Encoder accessories

 [Encoder accessories \(PDF 139 KB\)](#)



ST27

Jointed coupling ST27

for encoder with shaft \varnothing 6 mm or 10 mm

[→ Print version](#)

Product data

Max. operating speed	10000 rpm
Max. torque	80 Ncm
Max. offset of shafts axial	± 0.3 mm
Max. offset of shafts angular	$\pm 0.5^\circ$
Torsion spring stiffness	18 Nm/rad
Moment of inertia	79 gcm ²
Max. clamping torque	80 Ncm
Weight	25 g
Material	Hub: Aluminium Adapter: POM

Order number(s)

ST270606

Jointed coupling: $\varnothing d1 = 6 \text{ mm}$, $\varnothing d2 = 6 \text{ mm}$

ST270610

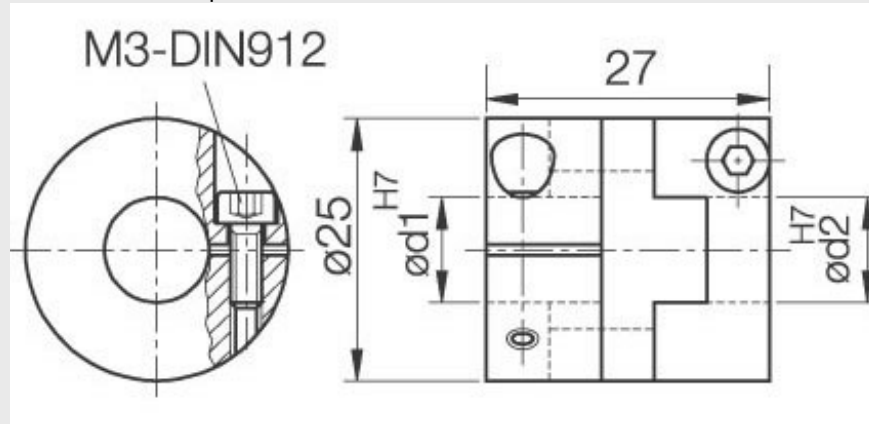
Jointed coupling: $\varnothing d1 = 6 \text{ mm}$, $\varnothing d2 = 10 \text{ mm}$

ST271010

Jointed coupling: $\varnothing d1 = 10 \text{ mm}$, $\varnothing d2 = 10 \text{ mm}$

Drawings

All dimensional specifications in mm



For further information please contact our local distributor.
Here you find a list of our [distributors worldwide](#)

Wachendorff Automation GmbH & Co. KG - Industriestrasse 7 - D-65366 Geisenheim
wdg@wachendorff.de - Tel. +49 6722 996525 - Fax +49 6722 996570

X-ON Electronics

Largest Supplier of Electrical and Electronic Components

Click to view similar products for [wachendorff](#) manufacturer:

Other Similar products are found below :

[Wachendorff](#)